



Cordsets & Field Attachables

Bulletin Numbers 879D, 879P, 888B, 888D, 888H, 888M, 888N, 888P, 888R, 889, 889B, 889D, 889L, 889M, 889N, 889P, 889R, 898P, 898R, 889S, 889V

Topic	Page
Summary of Changes	1
Mini Style	2
Mini-plus Style	25
DC Micro Style	34
M12 Power (L-code)	74
AC Micro Style	78
EAC Micro Style	93
Pico Style	95
Patchcords	106
V-cables	108
Splitters, Pico Style Pico to Pico, DC Micro to Pico	110
Receptacles, Pico Style 24 AWG, M8 Mounting Threads	112
Terminal Chambers, Pico Style	113
Field Attachable, Pico Style Insulated Displacement Connector	114
Cordsets and Patchcords, M23 QD Style, 18 AWG or 18/22 AWG, Black or Yellow PVC	115
Receptacles, M23 Style, 18 AWG or 18/22 AWG, M20 Mounting Threads	118
Field Attachable, M23 Style Solder Type	120
DIN Valve	121
Receptacles, Insulation Displacement Connectors (IDC)	134
Cable Spools	135

Summary of Changes

This publication contains the following new or updated information. This list includes substantive updates only and is not intended to reflect all changes. Translated versions are not always available for each revision.

Topic	Page
Fixed Approximate Dimensions [mm (in.)]	15
Updated Product Selection wiring diagrams.	17
Updated Patchcords with Internal Threads table.	116

Mini Style 16 AWG, ST00W PVC



4-pin Straight Mini Cordset

Specifications

Attribute	Value
Certifications	UL Recognized and CSA Certified
Mechanical	
Coupling nut material	Epoxy-coated zinc
Housing material	Molded oil-resistant TPE
Contact material	Gold-plated palladium/nickel
Cable type	Oil-resistant yellow PVC jacket, 16 AWG stranded copper, 600V; UL Recognized and CSA Certified, ST00W-A
Bend radius	10x diameter
Cable diameter	<ul style="list-style-type: none"> • 2/c = 10 (0.40) [mm (in.)] • 3/c = 10 (0.40) • 4/c = 11 (0.43) • 5/c = 13 (0.51) • 6/c = 14 (0.55)
Electrical	
Cable rating	UL ST00W VW-1 105C 600V, CSA ST 105C 600V FT2 UV-, oil-, and water-resistant
Assembly rating	<ul style="list-style-type: none"> • 2-pin = 600V, 13 A • 3-pin = 600V, 13 A • 4-pin = 600V, 10 A • 5-pin = 600V, 8 A • 6-pin = 600V, 8 A
Environmental	
Enclosure type rating	NEMA 4, 6P, 12, 13; IP67; 1200 psi washdown, IP69K
Temperature rating	-20...+105 °C (-4...+221 °F)

Mating Components and Accessories

Description	Cat. No.
Coupling adapters	889A-NADPT

Product Selection

Cordsets

No. of Pins	Assembly Rating	Color Code ⁽¹⁾	Cat. No. ⁽²⁾			
			Straight Female	Right Angle Female	Straight Male	Right Angle Male
2-pin	600V, 13 A	A	889N-F2AFC-6F	889N-R2AFC-6F	889N-U2AFC-6F	889N-V2AFC-6F
3-pin		A	889N-F3AFC-6F	889N-R3AFC-6F	889N-U3AFC-6F	889N-V3AFC-6F
4-pin	600V, 10 A	B	889N-F3AFA-6F	889N-R3AFA-6F	889N-U3AFA-6F	889N-V3AFA-6F
		A	889N-F4AFC-6F	889N-R4AFC-6F	889N-U4AFC-6F	889N-V4AFC-6F
5-pin	600V, 8 A	B	889N-F4AFA-6F	889N-R4AFA-6F	889N-U4AFA-6F	889N-V4AFA-6F
		A	889N-F4AF-6F	889N-R4AF-6F	889N-U4AF-6F	889N-V4AF-6F
6-pin	600V, 8 A	A	889N-F5AFC-6F	889N-R5AFC-6F	889N-U5AFC-6F	889N-V5AFC-6F
		B	889N-F5AFA-6F	889N-R5AFA-6F	889N-U5AFA-6F	889N-V5AFA-6F
6-pin	600V, 8 A	C	889N-F5AF-6F	889N-R5AF-6F	889N-U5AF-6F	889N-V5AF-6F
		A	889N-F6AFC-6F	889N-R6AFC-6F	889N-U6AFC-6F	889N-V6AFC-6F
6-pin	600V, 8 A	C	889N-F6AF-6F	889N-R6AF-6F	889N-U6AF-6F	889N-V6AF-6F
		A	889N-F6AF-6F	889N-R6AF-6F	889N-U6AF-6F	889N-V6AF-6F

(1) See [Pinout and Color Code on page 4](#).

(2) The 6F at the end of the catalog number is for 6 ft (1.8 m) cable length. Replace the 6 with 12 (12 ft [3.7 m]), or 20 (20 ft [6.1 m]) for other standard cable lengths.

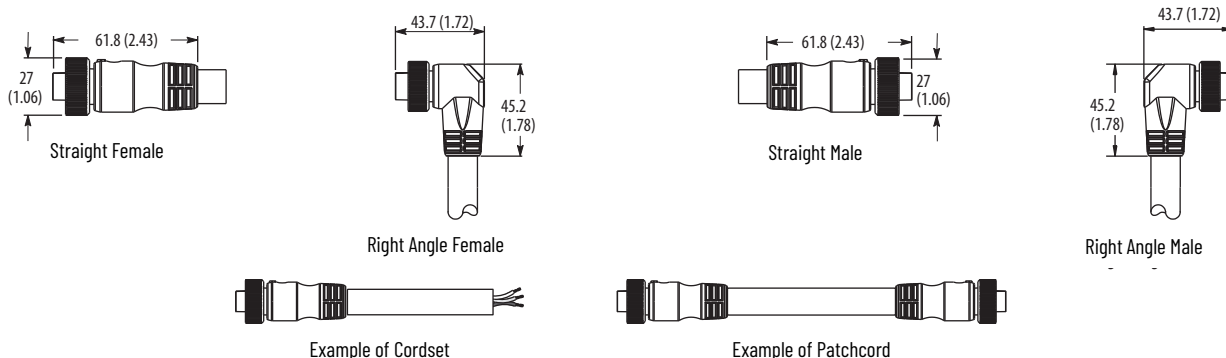
Patchcords

No. of Pins	Assembly Rating	Cat. No. ⁽¹⁾			
		Straight Female Straight Male	Straight Female Right Angle Male	Right Angle Female Straight Male	Right Angle Female Right Angle Male
2-pin	600V, 13 A	889N-F2AFNU-6F	889N-F2AFNV-6F	889N-R2AFNU-6F	889N-R2AFNV-6F
3-pin	600V, 13 A	889N-F3AFNU-6F	889N-F3AFNV-6F	889N-R3AFNU-6F	889N-R2AFNV-6F
4-pin	600V, 10 A	889N-F4AFNU-6F	889N-F4AFNV-6F	889N-R4AFNU-6F	889N-R2AFNV-6F
5-pin	600V, 8 A	889N-F5AFNU-6F	889N-F5AFNV-6F	889N-R5AFNU-6F	889N-R5AFNV-6F
6-pin	600V, 8 A	889N-F6AFNU-6F	889N-F6AFNV-6F	889N-R6AFNU-6F	889N-R6AFNV-6F

(1) The 6F at the end of the catalog number is for 6 ft (1.8 m) cable length. Replace the 6 with 12 (12 ft [3.7 m]), or 20 (20 ft [6.1 m]) for other standard cable lengths.

IMPORTANT Stainless steel connector versions can be ordered by adding an S to the catalog number, for example, 889NS-F3AFC-6F.

Approximate Dimensions [mm (in.)]



Pinout and Color Code

Color Code	Face View Pinout									
	2-pin		3-pin		4-pin		5-pin		6-pin	
	Female	Male	Female	Male	Female	Male	Female	Male	Female	Male
A (US)	1 White 2 Black		1 Green 2 Black 3 White		1 Black 2 White	3 Red 4 Green	1 White 2 Red 3 Green	4 Orange 5 Black	1 White 2 Red 3 Green	4 Orange 5 Black 6 Blue
B (Auto)	—		1 Green 2 Red/Black Tr 3 Red/White Tr		1 Red/Black Tr 2 Red/White Tr	3 Red 4 Green	1 Red/White Tr 2 Red 3 Green 4 Red/Yellow Tr 5 Red/Black Tr			—
C (IEC)	—		—		1 Black 2 Blue	3 Brown 4 White	1 Black 2 Blue 3 Orange	4 Brown 5 White	1 Blue 2 Orange 3 Red	4 White 5 Brown 6 Black

Mini Style 18 AWG, PVC



4-pin Straight Mini Cordset

Specifications

Attribute	Value
Certifications	UL Recognized and CSA Certified
Coupling nut material	Epoxy-coated zinc
Housing material	Molded oil-resistant TPE
Contact material	Gold-plated palladium/nickel
Cable type	Oil-resistant yellow PVC jacket, 18 AWG stranded copper, 300V; UL Recognized and CSA Certified
Bend radius	10x diameter
Cable diameter	<ul style="list-style-type: none"> • 2/c = 6 (0.24) [mm (in.)] • 3/c = 6 (0.25) • 4/c = 7 (0.27) • 5/c = 8 (0.31) • 6/c = 8 (0.32)
Electrical	
Cable rating	UL AWM style 2661 VW-1 105C 300V, CSA AWM A/B I/II 80C 300V FT1; UV-, oil-, and water-resistant
Assembly rating	<ul style="list-style-type: none"> • 2-pin = 300V, 10 A • 3-pin = 300V, 10 A • 4-pin = 300V, 7 A • 5-pin = 300V, 5.6 A • 6-pin = 300V, 5.6 A
Environmental	
Enclosure type rating	NEMA 4, 6P, 12, 13; IP67; 1200 psi washdown, IP69K
Temperature rating	-20...+105 °C (-4...+221 °F)

Mating Components and Accessories

Description	Cat. No.
Coupling adapters	889A-NADPT

Product Selection

Cordsets

No. of Pins	Assembly Rating	Color Code ⁽¹⁾	Cat. No. ⁽²⁾			
			Straight Female	Right Angle Female	Straight Male	Right Angle Male
2-pin	300V, 10 A	A	889N-F2AEC-6F	889N-R2AEC-6F	889N-U2AEC-6F	889N-V2AEC-6F
3-pin		A	889N-F3AEC-6F	889N-R3AEC-6F	889N-U3AEC-6F	889N-V3AEC-6F
4-pin	300V, 7 A	B	889N-F3AEA-6F	889N-R3AEA-6F	889N-U3AEA-6F	889N-V3AEA-6F
		A	889N-F4AEC-6F	889N-R4AEC-6F	889N-U4AEC-6F	889N-V4AEC-6F
		B	889N-F4AEA-6F	889N-R4AEA-6F	889N-U4AEA-6F	889N-V4AEA-6F
5-pin	300V, 5.6 A	C	889N-F4AE-6F	889N-R4AE-6F	889N-U4AE-6F	889N-V4AE-6F
		A	889N-F5AEC-6F	889N-R5AEC-6F	889N-U5AEC-6F	889N-V5AEC-6F
		B	889N-F5AEA-6F	889N-R5AEA-6F	889N-U5AEA-6F	889N-V5AEA-6F
6-pin		C	889N-F5AE-6F	889N-R5AE-6F	889N-U5AE-6F	889N-V5AE-6F
		A	889N-F6AE-6F	889N-R6AE-6F	889N-U6AE-6F	889N-V6AE-6F

(1) See [Pinout and Color Code on page 7](#).

(2) The 6F at the end of the catalog number is for 6 ft (1.8 m) cable length. Replace the 6 with 12 (12 ft [3.7 m]) or 20 (20 ft [6.1 m]) for other standard cable lengths.

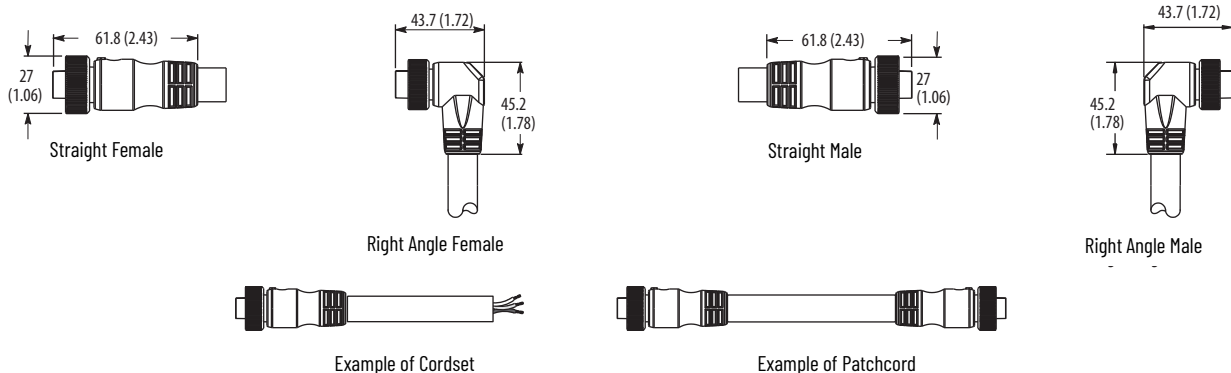
Patchcords

No. of Pins	Assembly Rating	Cat. No. ⁽¹⁾			
		Straight Female Straight Male	Straight Female Right Angle Male	Right Angle Female Straight Male	Right Angle Female Right Angle Male
2-pin	300V, 10 A	889N-F2AENU-6F	889N-F2AENV-6F	889N-R2AENU-6F	889N-R2AENV-6F
3-pin		889N-F3AENU-6F	889N-F3AENV-6F	889N-R3AENU-6F	889N-R3AENV-6F
4-pin	300V, 7 A	889N-F4AENU-6F	889N-F4AENV-6F	889N-R4AFNU-6F	889N-R4AENV-6F
5-pin	300V, 5.6 A	889N-F5AENU-6F	889N-F5AENV-6F	889N-R5AENU-6F	889N-R5AENV-6F
6-pin		889N-F6AENU-6F	889N-F6AENV-6F	889N-R6AENU-6F	889N-R6AFNV-6F

(1) The 6F at the end of the catalog number is for 6 ft (1.8 m) cable length. Replace the 6 with 12 (12 ft [3.7 m]) or 20 (20 ft [6.1 m]) for other standard cable lengths.

IMPORTANT Stainless steel connector versions can be ordered by adding an S to the catalog number, for example, 889NS-F3AFC-6F.

Approximate Dimensions [mm (in.)]



Pinout and Color Code

Color Code	Face View Pinout									
	2-pin		3-pin		4-pin		5-pin		6-pin	
	Female	Male	Female	Male	Female	Male	Female	Male	Female	Male
A (US)	1 White 2 Black		1 Green 2 Black 3 White		1 Black 2 White	3 Red 4 Green	1 White 2 Red 3 Green	4 Orange 5 Black	1 White 2 Red 3 Green	4 Orange Black Blue
B (Auto)	—		1 Green 2 Red/Black Tr 3 Red/White Tr		1 Red/Black Tr 1 Red/White Tr	3 Red 4 Green	1 Red/White Tr 2 Red 3 Green 4 Red/Yellow Tr 5 Red/Black Tr		—	
C (IEC)	—		—		1 Black 1 Blue	3 Brown 4 White	1 Black 2 Blue 3 Gray	4 Brown 5 White	—	

Mini Style 16 AWG, ToughLink and ToughWeld



4-pin Straight Mini Cordset

Specifications

Attribute	Value
Certifications	UL Recognized and CSA Certified
Coupling nut material	Epoxy-coated zinc
Housing material	Molded oil-resistant TPE
Contact material	Gold-plated palladium/nickel
Cable type	<ul style="list-style-type: none"> ToughLink™: Oil-resistant yellow TPE jacket, 16 AWG stranded copper, 600V; UL Recognized and CSA Certified, SE00W ToughWeld™: Oil-resistant yellow CPE thermoset jacket, 16 AWG stranded copper, 600V; UL Recognized and CSA Certified, S00W
Bend radius	10x diameter
Cable diameter [mm (in.)]	<ul style="list-style-type: none"> 3/c = 10 (0.41) 4/c = 11 (0.44) 5/c = 13 (0.52)
Electrical	
Cable rating	<ul style="list-style-type: none"> ToughLink: UL SE00W VW-1 105C -50C 600V water-resistant, CSA ST00 FT-1 600V; ToughWeld: UL S00W 105C 600V water-resistant, CSA -50C FT-1 600V
Assembly rating	<ul style="list-style-type: none"> 3-pin: 600V, 13 A 4-pin: 600V, 10 A 5-pin: 600V, 8 A
Environmental	
Enclosure type rating	NEMA 4, 6P, 12, 13; IP67; 1200 psi washdown, IP69K
Temperature rating	-50...+105 °C (-58...+221 °F)

Mating Components and Accessories

Description	Cat. No.
Coupling adapters	889A-NADPT

Product Selection

Cordsets

No. of Pins	Jacket Material	Assembly Rating	Color Code ⁽¹⁾	Cat. No. ⁽²⁾			
				Straight Female	Right Angle Female	Straight Male	Right Angle Male
3-pin	ToughLink (TPE)	600V 13 A	A	889N-F3HFC-6F	889N-R3HFC-6F	889N-U3HFC-6F	889N-V3HFC-6F
4-pin		600V 10 A		889N-F4HFC-6F	889N-R4HFC-6F	889N-U4HFC-6F	889N-V4HFC-6F
5-pin		600V 8 A		889N-F5HFC-6F	889N-R5HFC-6F	889N-U5HFC-6F	889N-V5HFC-6F
3-pin	ToughWeld (CPE)	600V 13 A		889N-F3WFC-6F	889N-R3WFC-6F	889N-U3WFC-6F	889N-V3WFC-6F
4-pin		600V 10 A		889N-F4WFC-6F	889N-R4WFC-6F	889N-U4WFC-6F	889N-V4WFC-6F
5-pin		600V 8 A		889N-F5WFC-6F	889N-R5WFC-6F	889N-U5WFC-6F	889N-V5WFC-6F

(1) See [Pinout and Color Code](#).

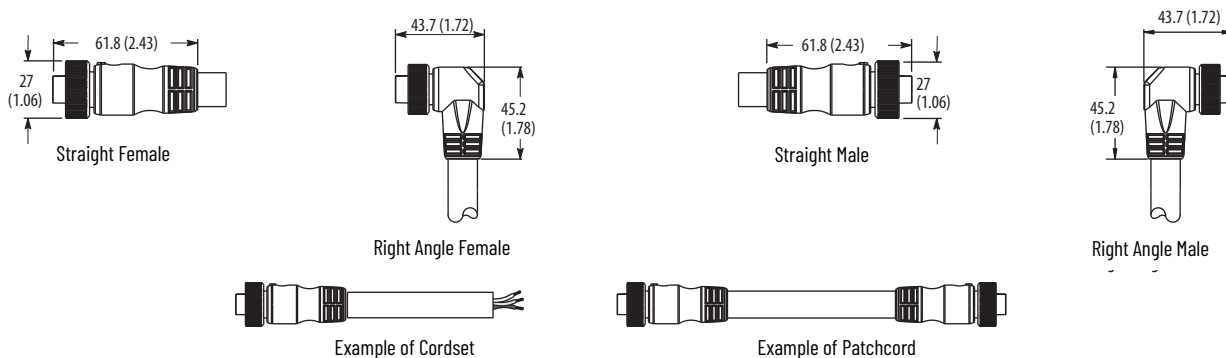
(2) The 6F at the end of the catalog number is for 6 ft (1.8 m) cable length. Replace the 6 with 12 (12 ft [3.7 m]) or 20 (20 ft [6.1 m]) for other standard cable lengths.

Patchcords

No. of Pins	Jacket Material	Assembly Rating	Cat. No. ⁽¹⁾			
			Straight Female Straight Male	Straight Female Right Angle Male	Right Angle Female Straight Male	Right Angle Female Right Angle Male
3-pin	ToughLink (TPE)	600V 13 A	889N-F3HFNU-6F	889N-F3HFNV-6F	889N-R3HFNU-6F	889N-R3HFNV-6F
4-pin		600V 10 A	889N-F4HFNU-6F	889N-F4HFNV-6F	889N-R4HFNU-6F	889N-R4HFNV-6F
5-pin		600V 8 A	889N-F5HFNU-6F	889N-F5HFNV-6F	889N-R5HFNU-6F	889N-R5HFNV-6F
3-pin	ToughWeld (CPE)	600V 13 A	889N-F3WFNU-6F	889N-F3WFNV-6F	889N-R3WFNU-6F	889N-R3WFNV-6F
4-pin		600V 10 A	889N-F4WFNU-6F	889N-F4WFNV-6F	889N-R4WFNU-6F	889N-R4WFNV-6F
5-pin		600V 8 A	889N-F5WFNU-6F	889N-F5WFNV-6F	889N-R5WFNU-6F	889N-R5WFNV-6F

(1) The 6F at the end of the catalog number is for 6 ft (1.8 m) cable length. Replace the 6 with 12 (12 ft [3.7 m]) or 20 (20 ft [6.1 m]) for other standard cable lengths.

Approximate Dimensions [mm (in.)]



Pinout and Color Code

Color Code	Face View Pinout					
	3-pin		4-pin		5-pin	
A (US)	1 Green 2 Black 3 White	1 Black 2 White 3 Red 4 Green	1 White 2 Red 3 Green 4 Orange 5 Black			

Mini Style 18 AWG, TPE and ToughWeld



4-pin Straight Mini Cordset

Specifications

Attribute	Value
Certifications	UL Recognized and CSA Certified
Coupling nut material	Epoxy-coated zinc
Housing material	Molded oil-resistant TPE
Contact material	Gold-plated palladium/nickel
Cable type	Oil-resistant yellow TPE or CPE jacket, 18 AWG stranded copper, 300V; UL Recognized and CSA Certified
Bend radius	10x diameter
Cable diameter [mm (in.)]	<ul style="list-style-type: none"> TPE: 3/c = 6 (0.25), 4/c = 7 (0.27), 5/c = 8 (0.32) ToughWeld: 3/c = 8 (0.32), 4/c = 9 (0.36), 5/c = 10 (0.38)
Electrical	
Cable rating	<ul style="list-style-type: none"> TPE: UL AWM style 20327 VW-1 105C 300V, CSA AWM A/B I/II 105C 300V FT1; UV-, oil-, and water-resistant ToughWeld: UL SJOOW 105C 300V water-resistant, CSA -50C FT-1 300V
Assembly rating	<ul style="list-style-type: none"> 3-pin: 300V, 10 A 4-pin: 300V, 7 A 5-pin: 300V, 5.6 A
Environmental	
Enclosure type rating	NEMA 4, 6P, 12, 13; IP67; 1200 psi washdown, IP69K
Temperature rating	-50...+105 °C (-58...+221 °F)

Mating Components and Accessories

Description	Cat. No.
Coupling adapters	889A-NADPT

Product Selection

Cordsets

No. of Pins	Jacket Material	Assembly Rating	Color Code ⁽¹⁾	Cat. No. ⁽²⁾			
				Straight Female	Right Angle Female	Straight Male	Right Angle Male
3-pin	TPE	300V, 10 A	B	889N-F3HJA-6F	889N-R3HJA-6F	889N-U3HJA-6F	889N-V3HJA-6F
4-pin		300V, 7 A		889N-F4HJA-6F	889N-R4HJA-6F	889N-U4HJA-6F	889N-V4HJA-6F
5-pin		300V, 5.6 A		889N-F5HJA-6F	889N-R5HJA-6F	889N-U5HJA-6F	889N-V5HJA-6F
3-pin	ToughWeld (CPE)	300V, 10 A	A	889N-F3WEC-6F	889N-R3WEC-6F	889N-U3WEC-6F	889N-V3WEC-6F
4-pin		300V, 7 A		889N-F4WEC-6F	889N-R4WEC-6F	889N-U4WEC-6F	889N-V4WEC-6F
5-pin		300V, 5.6 A		889N-F5WEC-6F	889N-R5WEC-6F	889N-U5WEC-6F	889N-V5WEC-6F

(1) See [Pinout and Color Code](#).

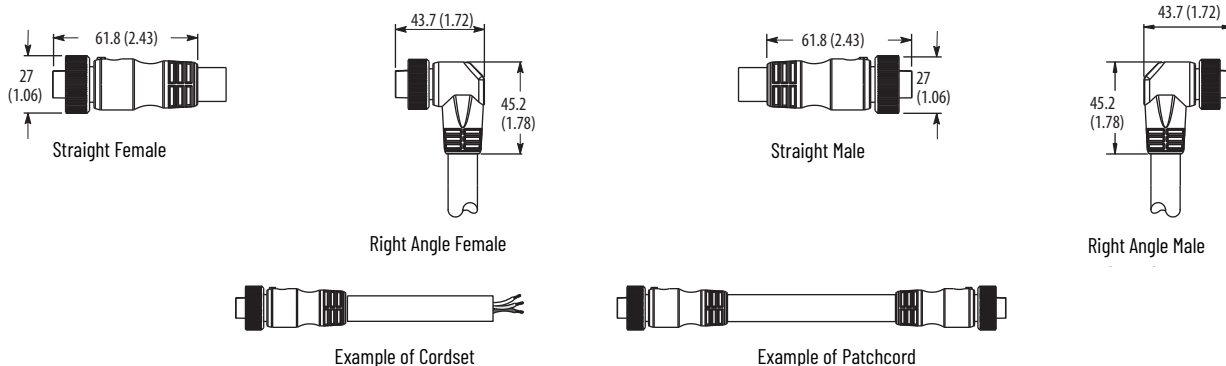
(2) The 6F at the end of the cat. no. is for 6 ft (1.8 m) cable length. Replace the 6 with 12 (12 ft [3.7 m]), or 20 (20 ft [6.1 m]) for other standard cable lengths.

Patchcord

No. of Pins	Jacket Material	Assembly Rating	Cat. No. ⁽¹⁾			
			Straight Female Straight Male	Straight Female Right Angle Male	Right Angle Female Straight Male	Right Angle Female Right Angle Male
3-pin	TPE	300V, 10 A	889N-F3HJNU-6F	889N-F3HJNV-6F	889N-R3HJNU-6F	889N-R3HJNV-6F
4-pin		300V, 7 A	889N-F4HJNU-6F	889N-F4HJNV-6F	889N-R4HJNU-6F	889N-R4HJNV-6F
5-pin		300V, 5.6 A	889N-F5HJNU-6F	889N-F5HJNV-6F	889N-R5HJNU-6F	889N-R5HJNV-6F
3-pin	ToughWeld (CPE)	300V, 10 A	889N-F3WENU-6F	889N-F3WENV-6F	889N-R3WENU-6F	889N-R3WENV-6F
4-pin		300V, 7 A	889N-F4WENU-6F	889N-F4WENV-6F	889N-R4WENU-6F	889N-R4WENV-6F
5-pin		300V, 5.6 A	889N-F5WENU-6F	889N-F5WENV-6F	889N-R5WENU-6F	889N-R5WENV-6F

(1) The 6F at the end of the cat. no. is for 6 ft (1.8 m) cable length. Replace the 6 with 12 (12 ft [3.7 m]), or 20 (20 ft [6.1 m]) for other standard cable lengths.

Approximate Dimensions [mm (in.)]



Pinout and Color Code

Color Code	Face View Pinout					
	3-pin		4-pin		5-pin	
A (US)	1 Green 2 Black 3 White	1 Black 2 White	3 Red 4 Green	1 White 2 Red 3 Green	4 Orange 5 Black	
B (Auto)	1 Green 2 Red/Black Tr 3 Red/White Tr	1 Red/Black Tr 2 Red/White Tr	3 Red 4 Green	1 Red/White Tr 2 Red 3 Green	4 Red/Yellow Tr 5 Red/Black Tr	

Mini Style PLTC, 18 AWG, Gray PVC



4-pin Straight Mini Cordset

Specifications

Attribute	Value
Certifications	UL Recognized and CSA Certified
Mechanical	
Coupling nut material	Epoxy-coated zinc
Housing material	Molded oil-resistant TPE
Contact material	Gold over nickel-plated brass
Cable type	Oil-resistant gray PVC jacket, 18 AWG conductors, 300V, UL Listed and CSA Certified
Bend radius	10x diameter
Electrical	
Cable rating	UL PLTC AWM Style 2661VW-1 105C 300V, CSA AWM A/B 1/II 80C 300V FT1; UV-, oil-, and water-resistant
Assembly rating	<ul style="list-style-type: none"> • 4-pin: 300V, 7 A • 5-pin: 300V, 5.6 A • 6-pin: 300V, 5.6 A
Environmental	
Enclosure type rating	NEMA 4, 6P, 12, 13; IP67; 1200 psi washdown, IP69K
Temperature rating	-20...+105 °C (-4...+221 °F)

Mating Components and Accessories

Description	Cat. No.
Coupling adapters	889A-NADPT

Product Selection

Cordsets

No. of Pins	Cable Diameter	Color Code ⁽¹⁾	Cat. No. ⁽²⁾			
			Straight Female	Right Angle Female	Straight Male w/ Internal Threads	Right Angle Male w/ Internal Threads
2-pin	6.0 (0.235)	B	889N-F2GEC-6F	889N-R2GEC-6F	889N-U2GEC-6F	889N-V2GEC-6F
3-pin	6.6 (0.26)		889N-F3GEC-6F	889N-R3GEC-6F	889N-U3GEC-6F	889N-V3GEC-6F
4-pin	6.6 (0.26)		889N-F4GEC-6F	889N-R4GEC-6F	889N-U4GEC-6F	889N-V4GEC-6F
5-pin	7.6 (0.3)		889N-F5GEC-6F	889N-R5GEC-6F	889N-U5GEC-6F	889N-V5GEC-6F
6-pin	8.1 (0.32)		889N-F6GEC-6F	889N-R6GEC-6F	889N-U6GEC-6F	889N-V6GEC-6F

(1) See [Pinout and Color Code](#).

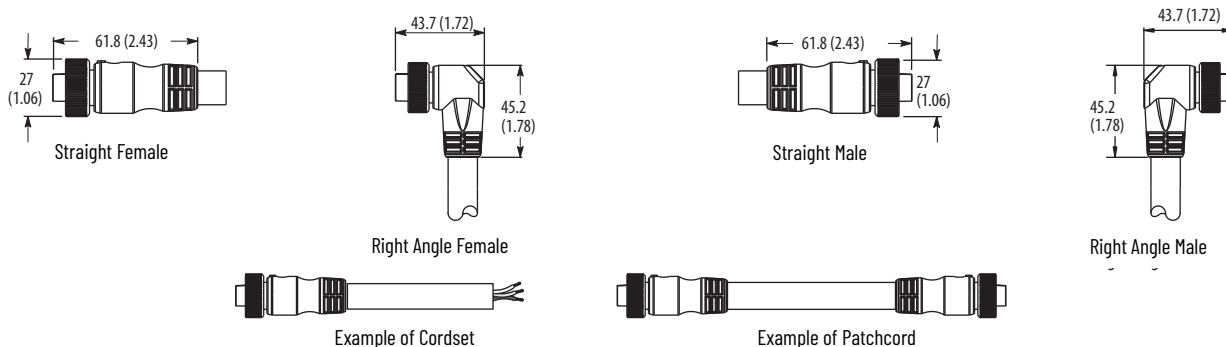
(2) The 6F at the end of the catalog number is for 6 ft (1.8 m) cable length. Replace the 6 with 12 (12 ft [3.7 m]), or 20 (20 ft [6.1 m]) for other standard cable lengths.

Patchcords

No. of Pins	Cable Diameter	Cat. No. ⁽¹⁾			
		Straight Female Straight Male	Straight Female Right Angle Male	Right Angle Female Straight Male	Right Angle Female Right Angle Male
4-pin	6.6 (0.26)	889N-F4GENU-6F	889N-F4GENV-6F	889N-R4GENU-6F	889N-R4GENV-6F
5-pin	7.6 (0.3)	889N-F5GENU-6F	889N-F5GENV-6F	889N-R5GENU-6F	889N-R5GENV-6F
6-pin	8.1 (0.32)	889N-F6GENU-6F	889N-F6GENV-6F	889N-R6GENU-6F	889N-R6GENV-6F

(1) The 6F at the end of the catalog number is for 6 ft (1.8 m) cable length. Replace the 6 with 12 (12 ft [3.7 m]), or 20 (20 ft [6.1 m]) for other standard cable lengths.

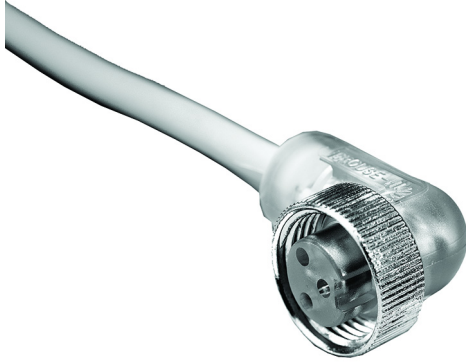
Approximate Dimensions [mm (in.)]



Pinout and Color Code

Color Code	Face View Pinout					
	4-pin		5-pin		6-pin	
A (IEC)	1 Black 2 Blue	3 Brown 4 White	1 Black 2 Blue 3 Gray	4 Brown 5 White	1 White 2 Red 3 Green	4 Orange 5 Black 6 Blue
B (US)	1 Black 2 White	3 Red 4 Green	1 White 2 Red 3 Green	4 Orange 5 Black	1 White 2 Red 3 Green	4 Orange 5 Black 6 Blue

Mini Style LED or Coil Cables, PVC



3-pin Illuminated Mini Cordset

Specifications

Attribute	Value
Certifications	UL Recognized and CSA Certified
Mechanical	
Coupling nut material	Epoxy-coated zinc
Housing material	Molded oil-resistant PUR
Contact material	Gold-plated palladium/nickel
Cable type	Oil-resistant yellow PVC jacket, 18 AWG stranded copper, illuminated, 300V; UL Recognized and CSA Certified
Bend radius	10x diameter
Cable diameter	<ul style="list-style-type: none"> 3/c = 7.4 mm (0.29 in.) 4/c = 7.1 mm (0.28 in.)
Electrical	
Cable rating	<ul style="list-style-type: none"> Light-emitting diode (LED) models: UL AWM style 2661 VW-1 105C 300V, CSA AWM A/B I/II 80C 300V FT1; UV-, oil-, and water-resistant Coiled Cable: 300V, UL style 20197, CSA AWM 1/11 A/B
Assembly rating	<ul style="list-style-type: none"> 3-pin: 120V, 3 A for 18 AWG, 6 A for 16 AWG 4-pin: 120V, 3 A for 18 AWG, 6 A for 16 AWG
Environmental	
Enclosure type rating	NEMA 4, 6P, 12, 13; IP67; 1200 psi washdown, IP69K
Temperature rating	-20...+105 °C (-4...+221 °F)

Product Selection

Cordsets

No. of Pins	Jacket Material	Wire Rating	Cat. No. ⁽¹⁾	
			Straight Female	Right Angle Female
3-pin	Yellow PVC	16 AWG	889N-K3AFA-6F	889N-L3AFA-6F
3-pin	Yellow PVC	18 AWG	889N-K3AEA-6F	889N-L3AEA-6F

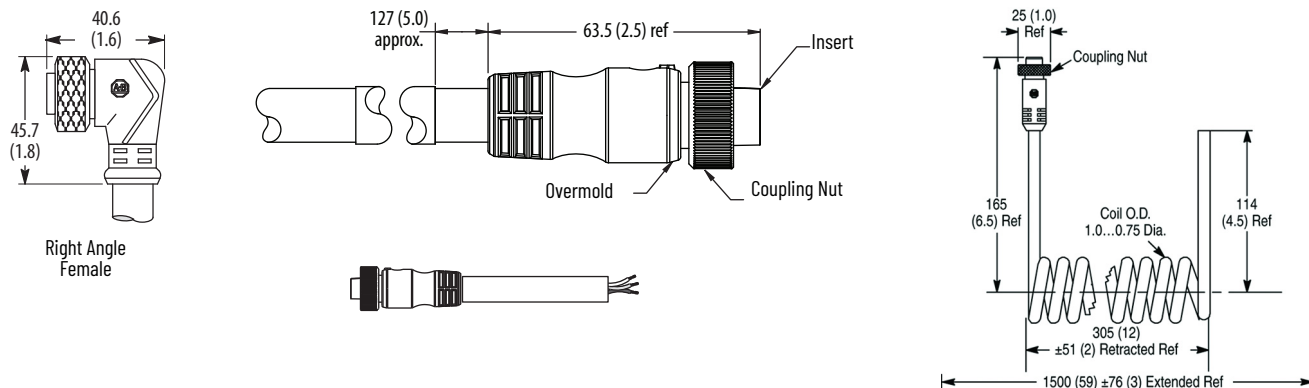
(1) The 6F at the end of the catalog number is for 6 ft (1.8 m) cable length. Replace the 6 with 12 (12 ft [3.7 m]), or 20 (20 ft [6.1 m]) for other standard cable lengths.

Patchcords

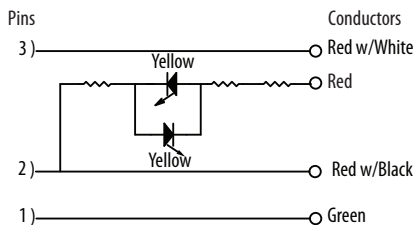
No. of Pins		Jacket Material	Wire Rating	Cat. No. ⁽¹⁾			
Female	Male			Straight Female Straight Male	Straight Female Right Angle Male	Right Angle Female Straight Male	Right Angle Female Right Angle Male
3-pin	4-pin	Yellow PVC	16 AWG	889N-K3AFN4U-6F	889N-K3AFN4V-6F	889N-L3AFN4U-6F	889N-L3AFN4V-6F
3-pin	4-pin	Yellow PVC	18 AWG	889N-K3AEN4U-6F	889N-K3AEN4V-6F	889N-L3AEN4U-6F	889N-L3AEN4V-6F

(1) The 6F at the end of the catalog number is for 6 ft (1.8 m) cable length. Replace the 6 with 12 (12 ft [3.7 m]), or 20 (20 ft [6.1 m]) for other standard cable lengths.

Approximate Dimensions [mm (in.)]



Typical Wiring Diagrams



Pinout and Color Code

Color Code	Face View Pinout	
	3-pin	4-pin
	Female	Female
A	1 Green 2 Red/Black Tr 3 Red/White Tr	1 Red/Black Tr 2 Red/White Tr 3 Red 4 Green

Mini Style T-Ports, Tap-style Wiring



Tap-style Wiring

Specifications

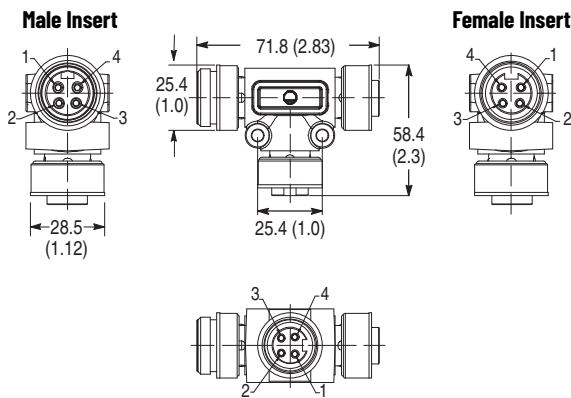
Attribute	Value
Certifications	UL Recognized and CSA Certified
Mechanical	
Coupling nut material	Black epoxy-coated zinc
Housing material	TPE
Contact material	Gold-plated palladium/nickel
Electrical	
Assembly rating	300V, 8 A
Environmental	
Enclosure type rating	IP67, NEMA 6P, 1200 psi (8270 kPa) washdown
Operating temperature	-25...+70 °C (-13...+158 °F)

Product Selection

No. of Pins	Wiring Diagram	Assembly Rating	Cat. No.
3-pin		300V 8 A	898N-33PB-N4KF
4-pin			898N-43PB-N4KF
5-pin			1485P-PIN5-MN5KF

IMPORTANT Stainless steel connector versions can be ordered by adding an S to the catalog number, for example, 889NS-42PB-N4KF.

Approximate Dimensions [mm (in.)]



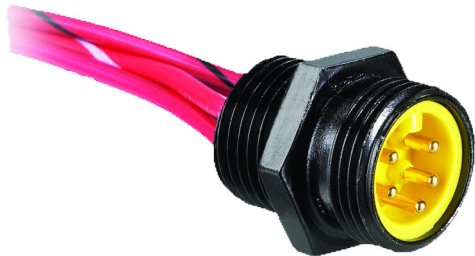
Pinout and Color Code

Face View Pinout					
3-pin		4-pin		5-pin	
Female	Male	Female	Male	Female	Male

Mini Style Receptacles, 16 and 18 AWG, 1/2 in. NPT Mount



2-pin Mini Female Receptacle



5-pin Mini Male Receptacle

Specifications

Attribute	Value
Certifications	UL Recognized and CSA Certified
Mechanical	
Coupling nut material	Black epoxy-coated zinc
Contact material	Gold-plated palladium/nickel
Insert material	PVC
Conductors	16 AWG and 18 AWG, PVC insulation
Electrical	
Assembly rating	• 2-pin
	- 16 AWG: 600V, 13 A
	- 18 AWG: 300V, 8 A
	• 3-pin
	- 16 AWG: 600V, 13 A
	- 18 AWG: 300V, 8 A
	• 4-pin
	- 16 AWG: 600V, 10 A
	- 18 AWG: 300V, 8 A
	• 5-pin
	- 16 AWG: 600V, 8 A
	- 18 AWG: 300V, 8 A
• 6-pin	
- 16 AWG: 600V, 8 A	
- 18 AWG: 300V, 8 A	
Environmental	
Enclosure type rating	NEMA 6P; IP67; 1200 psi washdown
Operating temperature	-20...+105 °C (-4...+221 °F)

Mating Components and Accessories

Description	Cat. No. ⁽¹⁾
1/2 inch-14 NPT mounting nut	889A-U1NUT-10
1/2 inch-14 NPT flat sealing washer	889A-U1FSL-10

(1) Sold in bags of 10.

Product Selection

16 AWG Receptacles

No. of Pins	Assembly Rating	Color Code ⁽¹⁾	Thread Size	Cat. No. ⁽²⁾			
				Straight Female External Threads	Right Angle Female External Threads	Straight Male External Threads	Right Angle Male External Threads
2-pin	600V AC/DC, 13 A	A	1/2 inch-14 NPT	888N-F2AF1-1F	888N-R2AF1-1F	888N-M2AF1-1F	888N-E2AF1-1F
3-pin		A		888N-F3AF1-1F	888N-R3AF1-1F	888N-M3AF1-1F	888N-E3AF1-1F
		B		888N-F3AFA1-1F	888N-R3AFA1-1F	888N-M3AFA1-1F	888N-E3AFA1-1F
4-pin	600V AC/DC, 10 A	A		888N-F4AF1-1F	888N-R4AF1-1F	888N-M4AF1-1F	888N-E4AF1-1F
		B		888N-F4AFA1-1F	888N-R4AFA1-1F	888N-M4AFA1-1F	888N-E4AFA1-1F
		C		888N-F4AFE1-1F	888N-R4AFE1-1F	888N-M4AFE1-1F	888N-E4AFE1-1F
5-pin	600V AC/DC, 8 A	A		888N-F5AF1-1F	888N-R5AF1-1F	888N-M5AF1-1F	888N-E5AF1-1F
		B		888N-F5AFA1-1F	888N-R5AFA1-1F	888N-M5AFA1-1F	888N-E5AFA1-1F
		C		888N-F5AFE1-1F	888N-R5AFE1-1F	888N-M5AFE1-1F	888N-E5AFE1-1F
6-pin		A		888N-F6AF1-1F	888N-R6AF1-1F	888N-M6AF1-1F	888N-E6AF1-1F

(1) See [Pinout and Color Code on page 20](#).

(2) The 1F at the end of the catalog number is for 1 ft (0.3 m) cable length. Replace the 1 with 3 (3 ft [0.9 m]) for other standard cable lengths.

18 AWG Receptacles

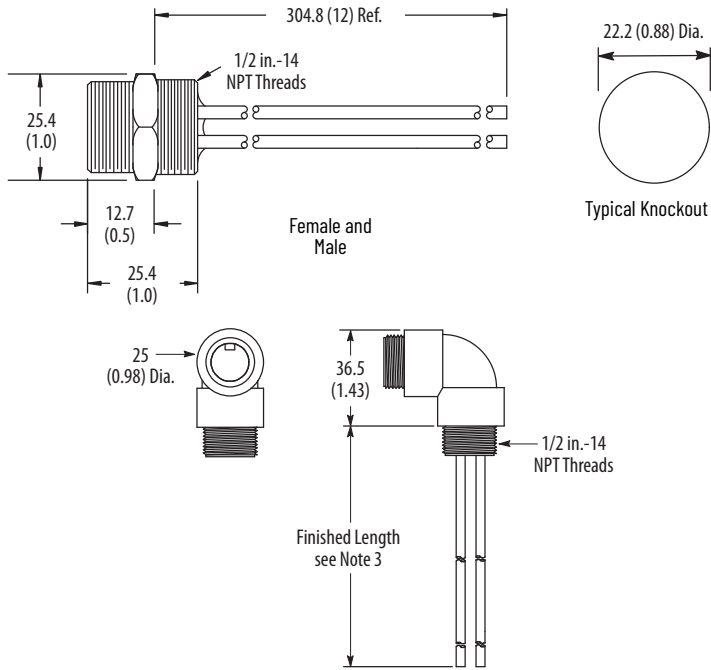
No. of Pins	Assembly Rating	Color Code ⁽¹⁾	Thread Size	Cat. No. ⁽²⁾			
				Straight Female External Threads	Right Angle Female External Threads	Straight Male External Threads	Right Angle Male External Threads
2-pin	300V, 10 A	A	1/2 inch-14 NPT	888N-F2AE1-1F	888N-R2AE1-1F	888N-M2AE1-1F	888N-E2AE1-1F
3-pin		A		888N-F3AE1-1F	888N-R3AE1-1F	888N-M3AE1-1F	888N-E3AE1-1F
		B		888N-F3AEA1-1F	888N-R3AEA1-1F	888N-M3AEA1-1F	888N-E3AEA1-1F
4-pin	300V, 7 A	A		888N-F4AE1-1F	888N-R4AE1-1F	888N-M4AE1-1F	888N-E4AE1-1F
		B		888N-F4AEA1-1F	888N-R4AEA1-1F	888N-M4AEA1-1F	888N-E4AEA1-1F
		C		888N-F4AEE1-1F	888N-R4AEE1-1F	888N-M4AEE1-1F	888N-E4AEE1-1F
5-pin	300V, 5.6 A	A		888N-F5AE1-1F	888N-R5AE1-1F	888N-M5AE1-1F	888N-E5AE1-1F
		B		888N-F5AEA1-1F	888N-R5AEA1-1F	888N-M5AEA1-1F	888N-E5AEA1-1F
		C		888N-F5AEE1-1F	888N-R5AEE1-1F	888N-M5AEE1-1F	888N-E5AEE1-1F
6-pin		A		888N-F6AE1-1F	888N-R6AE1-1F	888N-M6AE1-1F	888N-E6AE1-1F

(1) See [Pinout and Color Code on page 20](#).

(2) The 1F at the end of the catalog number is for 1 ft (0.3 m) cable length. Replace the 1 with 3 (3 ft [0.9 m]) for other standard cable lengths.

Approximate Dimensions [mm (in.)]

The 1F at the end of the catalog number is for 1 ft (0.3 m) cable length. Replace the 1 with 3 (3 ft [0.9 m]) for other standard cable lengths.



Pinout and Color Code

Color Code	Face View Pinout									
	2-pin		3-pin		4-pin		5-pin		6-pin	
	Female	Male	Female	Male	Female	Male	Female	Male	Female	Male
A (US)	1 White 2 Black		1 Green 2 Black 3 White		1 Black 2 White	3 Red 4 Green	1 White 2 Red 3 Green	4 Orange 5 Black	1 White 2 Red 3 Green	4 Orange 5 Black 6 Blue
B (Auto)	—		1 Green 2 Red/Black Tr 3 Red/White Tr		1 Red/Black Tr 2 Red/White Tr	3 Red 4 Green	1 Red/White Tr 2 Red 3 Green 4 Red/Yellow Tr 5 Red/Black Tr		—	
C (IEC)	—		—		1 Black 2 Blue	3 Brown 4 White	1 Black 2 Blue 3 Gray	4 Brown 5 White	—	

Mini Style Terminal Chambers, Screw Type, Field Attachable Connector



4-pin Mini Female Receptacle

Specifications

Attribute	Value
Mechanical	
Coupling nut material	Black anodized aluminum
Connector shell material	PBT
Contact material	Gold-plated brass
Wire size, max	16 AWG (1.5 mm ²)
Environmental	
Enclosure type rating	IP67
Operating temperature	-40...+85 °C (-40...+185 °F)

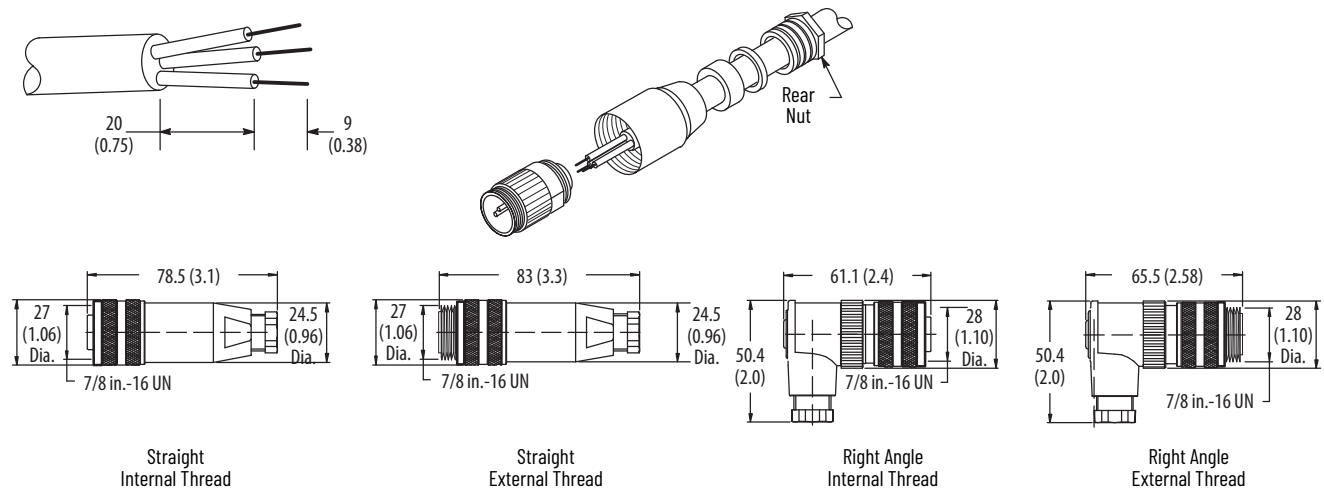
Product Selection

No. of Pins	Cable Diameter [mm (in.)]	Assembly Rating	Thread Size	Cat. No.		
				Straight Female Internal Threads	Straight Male Internal Threads	Straight Male External Threads
3-pin	6.0...8.0 (0.23...0.31)	250V, 12 A	PG9	871A-TS3-N2 ⁽¹⁾	871A-TS3-NU2 ⁽¹⁾	871A-TS3-NM2 ⁽¹⁾
	10.0...12.0 (0.39...0.47)		PG13.5	871A-TS3-N1	871A-TS3-NU1	871A-TS3-NM1
4-pin	6.0...8.0 (0.23...0.31)	250V, 9 A	PG9	871A-TS4-N1 ⁽¹⁾	871A-TS4-NU1 ⁽¹⁾	871A-TS4-NM1 ⁽¹⁾
	10.0...12.0 (0.39...0.47)		PG13.5	871A-TS4-N2	871A-TS4-NU2	871A-TS4-NM2
	12.0...14.0 (0.47...0.55)		PG16	871A-TS4-N3	871A-TS4-NU3	871A-TS4-NM3
5-pin	6.0...8.0 (0.24...0.32)	250V, 9 A	PG9	871A-TS5-N1 ⁽¹⁾	871A-TS5-NU1 ⁽¹⁾	871A-TS5-NM1 ⁽¹⁾
	10.0...12.0 (0.39...0.47)		PG13.5	871A-TS5-N2	871A-TS5-NU2	871A-TS5-NM2
	12.0...14.0 (0.47...0.55)		PG16	871A-TS5-N3	871A-TS5-NU3	871A-TS5-NM3

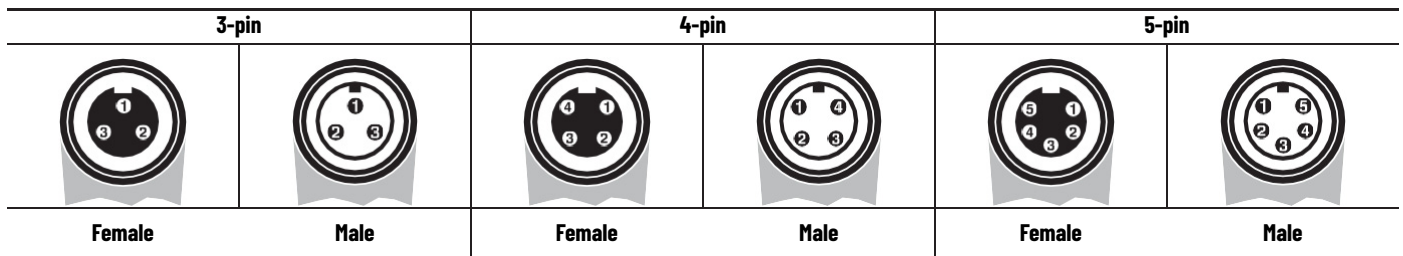
(1) Available in right angle. Replace the S in the catalog number with an R, for example, 871A-TR3-N2.

IMPORTANT Stainless steel connector versions can be ordered by adding an S to the catalog number, for example, 871AS-TS3-N2.

Approximate Dimensions [mm (in.)]



Face View Pinout



Mini Style Bulkhead Pass-thru



Bulkhead Pass-thru, Mini Style

Specifications

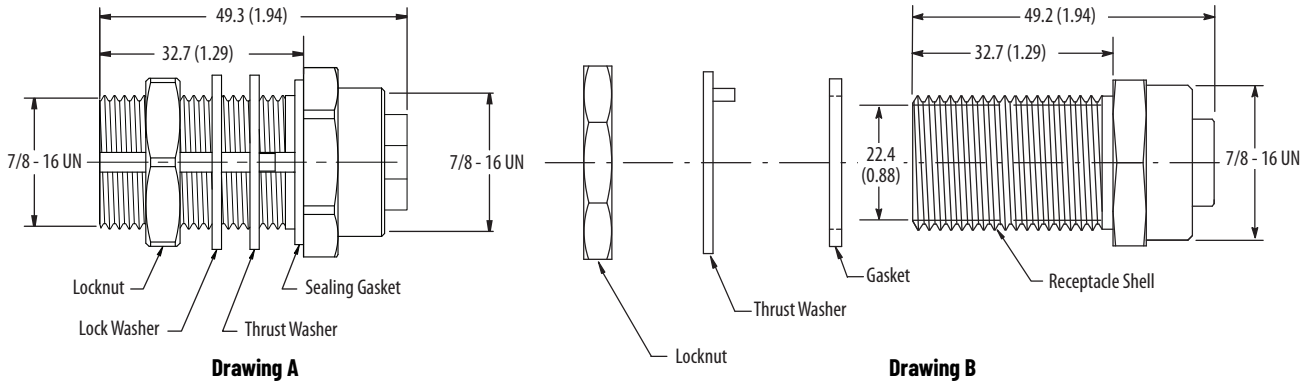
Attribute	Value
Certifications	UL Recognized and CSA Certified
Mechanical	
Material	Nickel-plated brass/gold
Locknut	Nickel-plated brass
Contact material	Gold-plated palladium/nickel
Gasket material	Neoprene
Thrust washer	Nylon
Connector insert material	PVC
Environmental	
Enclosure type rating	NEMA 4, 6P, 12, 13; IP67; 1200 psi washdown
Operating temperature	-40...+105 °C (-40...+221 °F)

Product Selection

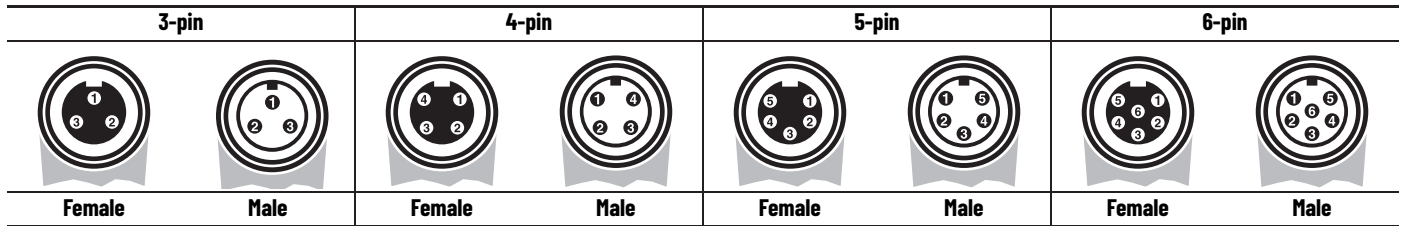
No. of Pins	Drawing ⁽¹⁾	Assembly Rating	Cat. No.
3-pin	B	600V 13 A	889A-CXN3-M3
4-pin	B	600V, 8 A	889A-CXN4-M4
5-pin	A	600V, 8 A	1485A-CXN5-M5
6-pin	B	600V 8 A	889A-CXN6-M6

(1) See [Approximate Dimensions \[mm \(in.\)\]](#).

Approximate Dimensions [mm (in.)]



Face View Pinout



Mini-plus Style 16 AWG, ST00W-A, 7- and 8-pin



8-pin Mini-plus Cordset



8-pin Mini-plus Straight to Straight Patchcord

Specifications

Attribute	Value
Certifications	UL Recognized and CSA Certified
Mechanical	
Coupling nut material	Brass nickel, 16 AWG Epoxy-coated zinc, 18 AWG
Housing material	TPU yellow
Contact material	Gold-plated machined brass
Cable type	Oil-resistant yellow PVC jacket, 16 AWG or 18 AWG stranded copper, 600V or 300V; UL Recognized and CSA Certified, ST00W
Bend radius	10x diameter
Cable diameter [mm (in.)]	<ul style="list-style-type: none"> 7/c = 14 (0.55) 8/c = 15 (0.59)
Electrical	
Cable rating	<ul style="list-style-type: none"> 16 AWG: UL ST00W 90C 600V, CSA ST 105C FT2 18 AWG: UL AWM style 2517 or 2661 105C 300V, CSA AWM A/B I/ II 105C 300V FT1
Assembly rating	<ul style="list-style-type: none"> 16 AWG: 600V, 7 A 18 AWG: 300V, 3 A
Environmental	
Enclosure type rating	NEMA 1, 3, 4, 6P, 12, 13; IP68; 1200 psi washdown
Temperature rating	-40...+105 °C (-40...+221 °F)

Mating Components and Accessories

Description	Cat. No.
Coupling adapter	889A-N2ADPT

Product Selection

Cordsets

No. of Pins	Assembly Rating	Color Code ⁽¹⁾	Cat. No. ⁽²⁾	
			Straight Female	Straight Male
7-pin	16 AWG, 600V, 7 A	A	889N-F7AF-2	889N-U7AF-2
	(5) 18 AWG/(2) 20 AWG, 300V, 3 A	B	889N-F7AG-2	—
8-pin	16 AWG, 600V, 7 A	A	889N-F8AF-2	889N-U8AF-2
	18 AWG, 300V, 3 A	B	889N-F8AE-2	—

(1) See [Pinout and Color Code](#).

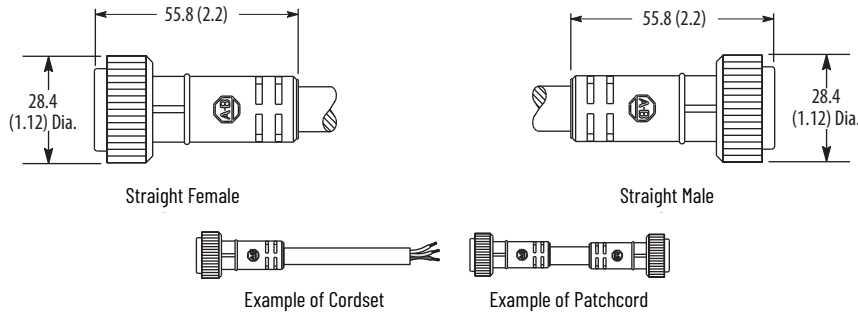
(2) The 2 at the end of the catalog number is for 2 m (6.6 ft) cable length. Replace the 2 with 5 (5 m [16.4 ft]), or 10 (10 m [32.8 ft]) for standard cable lengths.

Patchcords

No. of Pins	Assembly Rating	Cat. No. ⁽¹⁾
		Straight Female Straight Male
7-pin	16 AWG, 600V, 7 A	889N-F7AFNU-2
8-pin	16 AWG 600V 7 A	889N-F8AFNU-2

(1) The 2 at the end of the cat. no. is for 2 m (6.6 ft) cable length. Replace the 2 with 1 (1 m [3.3 ft]), 3 (3 m [9.8 ft]), 5 (5 m [16.4 ft]), or 10 (10 m [32.8 ft]) for standard cable lengths.

Approximate Dimensions [mm (in.)]



Pinout and Color Code

Color Code	Face View Pinout			
	7-pin		8-pin	
	Female	Male	Female	Male
A	1 White/Black Tr 2 Black 3 White 4 Red	5 Orange 6 Blue 7 Green	1 Orange 2 Blue 3 White/Black Tr 4 Black	5 White 6 Red 7 Green 8 Red/Black Tr
B	1 Black 2 White 3 Blue 4 Brown	5 Gray ⁽¹⁾ 6 Yellow ⁽¹⁾ 7 Green	1 Red 2 White 3 Blue 4 Brown	5 White 6 Red 7 Green 8 Red/Black Tr

(1) 20 AWG conductors

Mini-plus Style 16 AWG, ST00W-A 9-, 10-, and 12-pin



10-pin Mini-plus Cordset

Specifications

Attribute	Value
Certifications	UL Recognized and CSA Certified
Mechanical	
Coupling nut material	<ul style="list-style-type: none"> Brass nickel: 16 AWG Epoxy-coated zinc: 18 AWG
Housing material	TPU yellow
Contact material	Gold-plated machined brass
Cable type	Oil-resistant yellow PVC jacket, 16 AWG or 18 AWG stranded copper, 600V or 300V; UL Recognized and CSA Certified, ST00W
Bend radius	10x diameter
Cable diameter [mm (in.)]	<ul style="list-style-type: none"> 16 AWG 9/c = 17 (0.67) 16 AWG 10/c = 17 (0.67) 16 AWG 12/c = 18 (0.71) 18/22 AWG 12/c = 9 (0.36)
Electrical	
Cable rating	<ul style="list-style-type: none"> 16 AWG: UL ST00W 90C 600V, CSA ST 105C FT2 18 AWG: UL AWM style 2517 or 2661 105C 300V, CSA AWM A/B I/ II 105C 300V FT1
Assembly rating	<ul style="list-style-type: none"> 16 AWG: 600V, 7 A 18 AWG: 300V, 3 A
Environmental	
Enclosure type rating	NEMA 1, 3, 4, 6P, 12, 13; IP68; 1200 psi washdown
Temperature rating	-40...+105 °C (-40...+221 °F)

Mating Components and Accessories

Description	Cat. No.
Coupling adapter	889A-N3ADPT

Product Selection

Cordsets

No. of Pins	Assembly Rating	Color Code ⁽¹⁾	Cat. No. ⁽²⁾	
			Straight Female	Straight Male
9-pin	16 AWG, 600V, 7 A	A	889N-F9AF-2	889N-U9AF-2
10-pin			889N-F10AF-2	889N-U10AF-2
12-pin			889N-F12AF-2	889N-U12AF-2
	(3) 18 AWG/(9) 22 AWG, 300V, 3 A	B	889N-F12AC-2	—

(1) See [Pinout and Color Code on page 29](#).

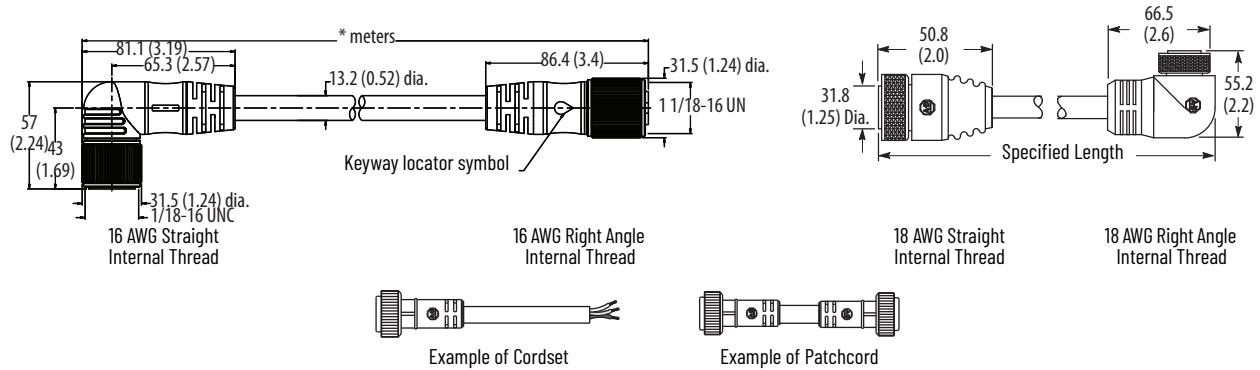
(2) The 2 at the end of the catalog number is for 2 m (6.6 ft) cable length. Replace the 2 with 5 (5 m [16.4 ft]), or 10 (10 m [32.8 ft]) for standard cable lengths.

Patchcords







No. of Pins	Assembly Rating	Cat. No. ⁽¹⁾	
		Straight Female Straight Male	Straight Female Right Angle Male
9-pin	16 AWG, 600V, 7 A	889N-F9AFNU-2	—
10-pin	16 AWG, 600V, 7 A	889N-F10AFNU-2	889N-F10AFNV-2
	(3) 18 AWG/(9) 22 AWG, 300V, 3 A	889N-F10ACNU-2	889N-F10ACNV-2
12-pin	16 AWG, 600V, 7 A	889N-F12AFNU-2	889N-F12AFNV-2
	(3) 18 AWG/(9) 22 AWG, 300V, 3 A	889N-F12ACNU-2	889N-F12ACNV-2
Thread adapter to couple standard internally threaded ends.		889A-N3ADPT	889A-N3ADPT

(1) The 2 at the end of the catalog number is for 2 m (6.6 ft) cable length. Replace the 2 with 1 (1 m [3.3 ft]), 3 (3 m [9.8 ft]), 5 (5 m [16.4 ft]), or 10 (10 m [32.8 ft]) for standard cable lengths.

Approximate Dimensions [mm (in.)]



Pinout and Color Code

Color Code	Face View Pinout					
	9-pin		10-pin		12-pin	
						
	Female	Male	Female	Male	Female	Male
A	1 Orange 2 Blue 3 Red/Black Tr 4 Green/Black Tr 5 White	6 Red 7 Green 8 White/Black Tr 9 Black	1 Orange 2 Blue 3 White/Black Tr 4 Red/Black Tr 5 Green/Black Tr	6 Orange/Black Tr 7 Red 8 Green 9 Black 10 White	1 Orange 2 Blue 3 White/Black Tr 4 Red/Black Tr 5 Green/Black Tr 6 Orange/Black Tr	7 Blue/Black Tr 8 Black/White Tr 9 Green 10 Red 11 White 12 Black
B	-		-		1 White 2 Green 3 Yellow 4 Gray 5 Rose 6 Red	7 Black 8 Violet 9 Green/Yellow ⁽¹⁾ 10 Orange 11 Blue ⁽¹⁾ 12 Brown ⁽¹⁾

(1) 18 AWG conductors

Mini-plus Style 16 AWG, PVC, 7- and 8-pin



7-pin Mini-plus Female Receptacle

Specifications

Attribute	Value
Certifications	UL Recognized and CSA Certified
Mechanical	
Receptacle shell material	Machined anodized aluminum with clear sealant
Connector insert material	TPU/Yellow
Contact material	Gold-plated machined brass
Insulation material	Oil-resistant yellow PVC jacket, 16 AWG stranded copper, 600V; UL Recognized and CSA Certified, ST00W
Electrical	
Assembly rating	<ul style="list-style-type: none"> 16 AWG: 600V AC/DC, 8 A 18 AWG: 300V AC/DC, 4.9 A
Environmental	
Enclosure type rating	NEMA 1, 3, 4, 6P; IP68; 1200 psi washdown
Operating temperature	-30...+80 °C (-22...+176 °F)

Product Selection

16 AWG Receptacles

No. of Pins	Assembly Rating	Color Code ⁽¹⁾	Thread Size	Cat. No. ⁽²⁾	
				Straight Female External Threads	Straight Male External Threads
7-pin	600V AC/DC, 7 A	A	1/2 in. 14 NPT	888N-F7AF1-1F	888N-M7AF1-1F
8-pin				888N-F8AF1-1F	888N-M8AF1-1F

(1) See [Pinout and Color Code](#).

(2) The 1F at the end of the catalog number is for 1 ft (0.3 m) cable length. Replace the 1 with 3 (3 ft [0.9 m]) for other standard cable lengths.

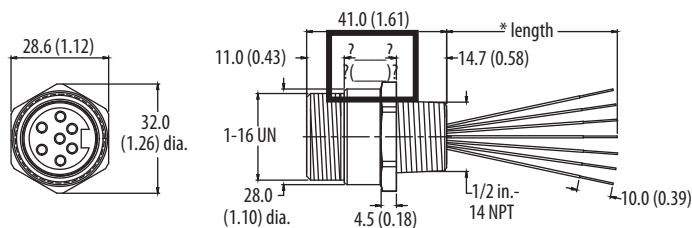
18 AWG Receptacles

No. of Pins	Assembly Rating	Color Code ⁽¹⁾	Thread Size	Cat. No. ⁽²⁾	
				Straight Female External Threads	Straight Male External Threads
7-pin	300V AC/DC, 4.9 A	A	1/2 in. 14 NPT	888N-F7AE1-1F	888N-M7AE1-1F
8-pin				888N-F8AE1-1F	888N-M8AE1-1F

(1) See [Pinout and Color Code](#).

(2) The 1F at the end of the catalog number is for 1 ft (0.3 m) cable length. Replace the 1 with 3 (3 ft [0.9 m]) for other standard cable lengths.

Approximate Dimensions [mm (in.)]



Pinout and Color Code

Color Code	Face View Pinout			
	7-pin		8-pin	
	Female	Male	Female	Male
A	1 White/Black Tr 2 Black 3 White 4 Red	5 Orange 6 Blue 7 Green	1 Orange 2 Blue 3 White/Black Tr 4 Black	5 White 6 Red 7 Green 8 Red/Black Tr
B	1 Black 2 White 3 Blue 4 Brown	5 Gray ⁽¹⁾ 6 Yellow ⁽¹⁾ 7 Green	1 Red 2 White 3 Blue 4 Brown	5 White 6 Red 7 Green 8 Red/Black Tr

(1) 20 AWG conductors

Mini-plus Style 16 AWG, PVC, 9-, 10-, and 12-pin



12-pin Mini-plus Male Receptacle

Specifications

Attribute	Value
Certifications	UL Recognized and CSA Certified
Mechanical	
Receptacle shell material	12-pin brass/nickel
Connector insert material	TPU/Yellow
Contact material	Gold-plated machined brass
Insulation Material	Oil-resistant yellow PVC jacket, 16 AWG stranded copper, 600V; UL Recognized and CSA Certified
Environmental	
Enclosure type rating	NEMA 1, 3, 4, 6P; IP68; 1200 psi washdown
Operating temperature	-30...+80 °C (-22...+176 °F)

Product Selection

16 AWG Receptacles

No. of Pins	Assembly Rating	Color Code ⁽¹⁾	Cat. No. ⁽²⁾	
			Straight Female	Straight Male
9-pin	600V, 7 A	A	888N-F9AF1-1F	888N-M9AF1-1F
10-pin			888N-F10AF1-1F	888N-M10AF1-1F
12-pin			888N-F12AF1-1F	888N-M12AF1-1F

(1) See [Pinout and Color Code](#).

(2) The 2 at the end of the cat. no. is for 2 m (6.6 ft) cable length. Replace the 2 with 5 (5 m [16.4 ft]), or 10 (10 m [32.8 ft]) for standard cable lengths.

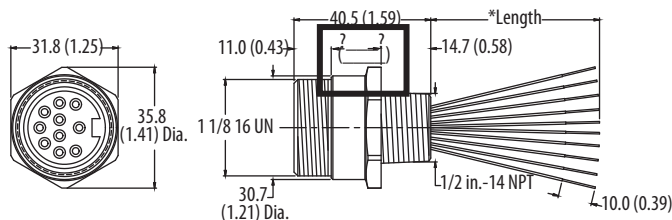
18 AWG Receptacles

No. of Pins	Assembly Rating	Color Code ⁽¹⁾	Cat. No. ⁽²⁾	
			Straight Female	Straight Male
9-pin	300V, 4.9 A	A	888N-F9AE1-1F	888N-M9AE1-1F
10-pin			888N-F10AE1-1F	888N-M10AE1-1F
12-pin	300V, 3.5 A		888N-F12AE1-1F	888N-M12AE1-1F

(1) See [Pinout and Color Code](#).

(2) The 2 at the end of the cat. no. is for 2 m (6.6 ft) cable length. Replace the 2 with 5 (5 m [16.4 ft]), or 10 (10 m [32.8 ft]) for standard cable lengths.

Approximate Dimensions [mm (in.)]



Pinout and Color Code

Color Code	Face View Pinout					
	9-pin		10-pin		12-pin	
	Female	Male	Female	Male	Female	Male
A	1 Orange 2 Blue 3 Red/Black Tr 4 Green/Black Tr 5 White	6 Red 7 Green 8 White/Black Tr 9 Black	1 Orange 2 Blue 3 White/Black Tr 4 Red/Black Tr 5 Green/Black Tr	6 Orange/Black Tr 7 Red 8 Green 9 Black 10 White	1 Orange 2 Blue 3 White/Black Tr 4 Red/Black Tr 5 Green/Black Tr 6 Orange/Black Tr	7 Blue/Black Tr 8 Black/White Tr 9 Green 10 Red 11 White 12 Black

DC Micro Style, 18 AWG and 22 AWG, Yellow, Black, or Blue PVC



4-pin DC Micro Cordset

Specifications

Attribute	Value
Certifications	UL Recognized and CSA Certified
Mechanical	
Coupling nut material	Epoxy-coated zinc
Material	Molded oil-resistant PUR
Contact material	Gold over nickel-plated brass
Cable type	Oil-resistant PVC jacket, 18 AWG or 22 AWG conductors, 300V, UL Recognized and CSA Certified
Bend radius	10 x diameter
Cable diameter [mm (in.)]	<ul style="list-style-type: none"> • 2/c: 5 (0.21) • 3/c: 5 (0.21) • 4/c: 5 (0.21) • 5/c: 6.5 (0.25) • 4/c (18 AWG): 6.5 (0.25)
Electrical	
Cable rating	UL AWM style 2661 VW-1 105C 300V, CSA AWM A/B I/II 80C 300V FT1; UV-, oil-, and water-resistant
Assembly rating	250V, 4 A
Environmental	
Enclosure type rating	NEMA 6P, 1200 psi (8270 kPa) washdown, IP69K
Temperature rating	-20...+105 °C (-4...+221 °F)

Product Selection

Cordsets

No. of Pins	Color Code ⁽¹⁾	Jacket Color	Wire Size [AWG]	Cat. No. ⁽²⁾			
				Straight Female	Right Angle Female	Straight Male	Right Angle Male
2-pin	A	Yellow	22	889D-F2AC-2	889D-R2AC-2	889D-M2AC-2	889D-E2AC-2
	B	Black		889D-F2BC-Q2	889D-R2BC-Q2	—	—
3-pin	A	Yellow		889D-F3AC-2	889D-R3AC-2	889D-M3AC-2	889D-E3AC-2
	4-pin	Yellow		889D-F4AC-2	889D-R4AC-2	889D-M4AC-2	889D-E4AC-2
Yellow		18	889D-F4AE-2	889D-R4AE-2	889D-M4AE-2	889D-E4AE-2	
Black		22	889D-F4BC-2	889D-R4BC-2	889D-M4BC-2	889D-E4BC-2	
Blue			889D-F4LC-2	889D-R4LC-2	889D-M4LC-2	889D-E4LC-2	
5-pin	A	Yellow	22	889D-F5AC-2	889D-R5AC-2	889D-M5AC-2	889D-E5AC-2
		Black		889D-F5BC-2	889D-R5BC-2	889D-M5BC-2	889D-E5BC-2

(1) See [Pinout and Color Code on page 36](#).

(2) The 2 at the end of the catalog number is for 2 m (6.6 ft) cable length. Replace the 2 with 5 (5 m [16.4 ft]) or 10 (10 m [32.8 ft]) for standard cable lengths.

Patchcords

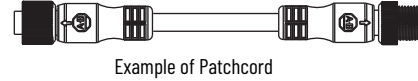
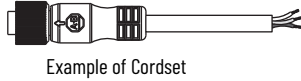
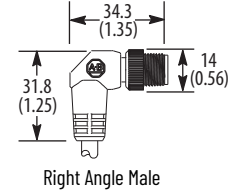
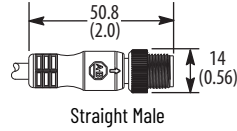
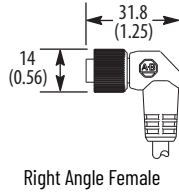
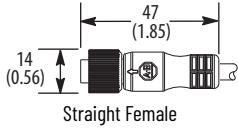
No. of Pins	Color Code ⁽¹⁾	Jacket Color	Wire Size [AWG]	Cat. No. ⁽²⁾			
				Straight Female Straight Male	Straight Female Right Angle Male	Right Angle Female Straight Male	Right Angle Female Right Angle Male
2-pin	A	Yellow	22	889D-F2ACDM-2	889D-F2ACDE-2	889D-R2ACDM-2	889D-R2ACDE-2
	B	Black		889D-F2BCDM-Q2	889D-F2BCDE-Q2	889D-R2BCDM-Q2	889D-R2BCDE-Q2
3-pin	A	Yellow	22	889D-F3ACDM-2	889D-F3ACDE-2	889D-R3ACDM-2	889D-R3ACDE-2
4-pin	A	Yellow		889D-F4ACDM-2	889D-F4ACDE-2	889D-R4ACDM-2	889D-R4ACDE-2
	A	Yellow	889D-F4ACDM-V2	889D-F4ACDE-V2	889D-R4ACDM-V2	889D-R4ACDE-V2	
	A	Yellow	18	889D-F4AEDM-2	889D-F4AEDE-2	889D-R4AEDM-2	889D-R4AEDE-2
	A	Black	22	889D-F4BCDM-2	889D-F4BCDE-2	889D-R4BCDM-2	889D-R4BCDE-2
A	Blue	889D-F4LCDM-2		889D-F4LCDE-2	889D-R4LCDM-2	889D-R4LCDE-2	
5-pin	A	Yellow	22	889D-F5ACDM-2	889D-F5ACDE-2	889D-R5ACDM-2	889D-R5ACDE-2
	A	Black		889D-F5BCDM-2	889D-F5BCDE-2	889D-R5BCDM-2	889D-R5BCDE-2

(1) See [Pinout and Color Code on page 36](#).

(2) The 2 at the end of the catalog number is for 2 m (6.6 ft) cable length. Replace the 2 with 0M3 (0.3 m [1 ft]), 1 (1 m [3.3 ft]), 5 (5 m [16.4 ft]), or 10 (10 m [32.8 ft]) for standard cable lengths.

IMPORTANT Stainless steel connector versions can be ordered by adding an S to the catalog number, for example, 889DS-F4AC-xx.

Approximate Dimensions



Pinout and Color Code

Color Code	Face View Pinout							
	2-pin		3-pin		4-pin		5-pin	
A	1 – 2 – 3 Brown	4 Blue 5 –	1 Brown 2 – 3 Blue	4 Black 5 –	1 Brown 2 White 3 Blue	4 Black 5 –	1 Brown 2 White 3 Blue	4 Black 5 Gray
B	1 Brown 2 – 3 –	4 Blue 5 –	–	–	–	–	–	–

DC Micro Style, 22 AWG, Yellow PVC Shielded



4-pin DC Micro Cordset

Specifications

Attribute	Value
Certifications	UL Recognized and CSA Certified
Mechanical	
Coupling nut material	Epoxy-coated zinc
Material	Molded oil-resistant PUR
Contact material	Gold over nickel-plated brass
Cable type	Yellow oil-resistant PVC jacket, 22 AWG conductors, 300V, UL Recognized and CSA Certified
Bend radius	10 x diameter
Cable diameter [mm (in.)]	<ul style="list-style-type: none"> • 4/c: 5 (0.21) • 5/c: 6.5 (0.25)
Electrical	
Cable rating	UL AWM style 2661 VW-1 105C 300V, CSA AWM A/B I/II 80C 300V FT1; UV-, oil-, and water-resistant
Assembly rating	250V, 4 A
Environmental	
Enclosure type rating	NEMA 6P, 1200 psi (8270 kPa) washdown, IP69K
Temperature rating	-20...+105 °C (-4...+221 °F)

Product Selection

Cordsets

No. of Pins	Color Code ⁽¹⁾	Shield	Wire Size [AWG]	Cat. No. ⁽²⁾			
				Straight Female	Right Angle Female	Straight Male	Right Angle Male
4-pin	A	Braided shield	22	889D-F4EC-2	889D-R4EC-2	889D-M4EC-2	889D-E4EC-2
	A	Foil shield		889D-F4FC-2	889D-R4FC-2	889D-M4FC-2	889D-E4FC-2
	B			889D-F5FC-J2	889D-R5FC-J2	889D-M5FC-J2	889D-E5FC-J2
5-pin	A	Shielded	889D-F5EC-2	889D-R5EC-2	889D-M5EC-2	889D-E5EC-2	

(1) See [Pinout and Color Code](#).

(2) The 2 at the end of the catalog number is for 2 m (6.6 ft) cable length. Replace the 2 with 5 (5 m [16.4 ft]) or 10 (10 m [32.8 ft]) for standard cable lengths.

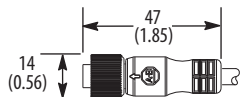
Patchcords

No. of Pins	Color Code ⁽¹⁾	Shield	Wire Size [AWG]	Cat. No. ⁽²⁾			
				Straight Female Straight Male	Straight Female Right Angle Male	Right Angle Female Straight Male	Right Angle Female Right Angle Male
4-pin	A	Braided shield	22	889D-F4ECDM-2	889D-F4ECDE-2	889D-R4ECDM-2	889D-R4ECDE-2
	A	Foil shield		889D-F4FCDM-2	889D-F4FCDE-2	889D-R4FCDM-2	889D-R4FCDE-2
	B			889D-F5FCDM-J2	889D-F5FCDE-J2	889D-R5FCDM-J2	889D-R5FCDE-J2
5-pin	A	Braided shield	889D-F5ECDM-2	889D-F5ECDE-2	889D-R5ECDM-2	889D-R5ECDE-2	

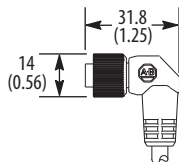
(1) See [Pinout and Color Code](#).

(2) The 2 at the end of the catalog number is for 2 m (6.6 ft) cable length. Replace the 2 with 0M3 (0.3 m [1 ft]), 1 (1 m [3.3 ft]), 5 (5 m [16.4 ft]), or 10 (10 m [32.8 ft]) for standard cable lengths.

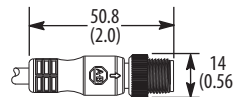
Approximate Dimensions [mm (in.)]



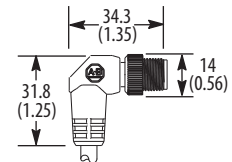
Straight Female



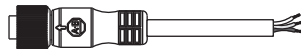
Right Angle Female



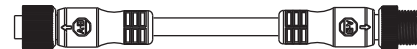
Straight Male



Right Angle Male



Example of Cordset



Example of Patchcord

Pinout and Color Code

Color Code	Face View Pinout			
	4-pin		5-pin	
	Female		Male	
A	1 Brown 2 White 3 Blue	4 Black 5 -	1 Brown 2 White 3 Blue	4 Black 5 Gray
B	1 Brown 2 White 3 Blue	4 Black 5 Drain wire	-	-

DC Micro Style, 22 AWG, Yellow PVC Quick Connect



4-pin DC Micro Cordset Quick Connect

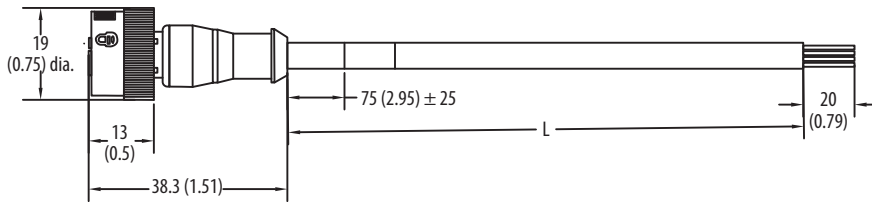
Specifications

Attribute	Value
Certifications	UL Recognized and CSA Certified
Mechanical	
Coupling nut material	PA 6, black
Contact material	Gold over nickel-plated brass
Cable type	Yellow oil-resistant PVC jacket, 22 AWG conductors, 300V, UL Recognized and CSA Certified
Bend radius	10 x diameter
Cable diameter [mm (in.)]	4/c = 5 (0.21)
Electrical	
Cable rating	UL AWM style 2464 80C 300V VW1, CSA AWM A/B I/II 80C 300V FT1; UV-, oil-, and water-resistant
Assembly rating	250V, 4 A
Environmental	
Enclosure type rating	IP67
Temperature rating	-20...+80 °C (-4...+176 °F)

Product Selection

No. of Pins	Cable Type	Assembly Rating	Wire Size [AWG]	Cat. No.
				Straight Female
4-pin	PVC cable	250V, 4 A	22	889DQ-F4AC-1
				889DQ-F4AC-2
				889DQ-F4AC-3
				889DQ-F4AC-5
				889DQ-F4AC-7
				889DQ-F4AC-10
				889DQ-F4AC-15
				889DQ-F4AC-20
889DQ-F4AC-30				

Approximate Dimensions [mm (in.)]



Pinout and Color Code

Color Code	Face View Pinout	
	4-pin	
	Female	Male
A	1 Brown 2 White 3 Blue	4 Black 5 -

DC Micro Style, 18 and 22 AWG, PUR, TPE, or TPR



4-pin DC Micro Cordset

Specifications

Attribute	Value
Certifications	UL Recognized and CSA Certified
Coupling nut material	Epoxy-coated zinc
Material	Molded oil-resistant PUR
Contact material	Gold over nickel-plated brass
Cable type	Oil-resistant PVC jacket, 18 AWG and 22 AWG or 24 AWG conductors, 300V; UL Recognized and CSA Certified
Bend radius	10x diameter
Cable diameter [mm (in.)]	<ul style="list-style-type: none"> • 4/c (PUR): 5 (0.21) • 4/c (18 AWG TPE): 7 (0.28) • 4/c (22 AWG TPE): 4.9 (0.19) • 5/c: 6.5 (0.25) • 7/c: 7.4 (0.29) • 8/c: 7.4 (0.29)
Electrical	
Cable rating	<ul style="list-style-type: none"> • 4 & 5/c (PUR): UL AWM style 20866 VW-1 80C 300V, CSA AWM A/B I/II 80C 300V FT1; UV-, oil-, and water-resistant • 8/c (PUR): UL AWM style 20866 90C 300V, CSA II A 90C 300V • TPE: UL AWM style 20327 VW-1 105C 300V, CSA AWM A/B I/II 105C 300V FT1; UV-, oil-, and water-resistant
Environmental	
Enclosure type rating	IP67, NEMA 6P, 1200 psi (8270 kPa) washdown, IP69K
Temperature rating	<ul style="list-style-type: none"> • PUR models: -20...+80 °C (-4...+176 °F) • TPE models: -50...+105 °C (-58...+221 °F) • TPR models: -25...+125 °C (-13...+256 °F)

Product Selection

Cordsets

No. of Pins	Cable Type	Wire Size [AWG]	Assembly Rating	Color Code (1)	Cat. No. (2)					
					Straight Female	Right Angle Female	Straight Male	Right Angle Male		
3-pin	PUR	18	250V, 4 A	A	889D-F3UE-2	889D-R3UE-2	889D-M3UE-2	889D-E3UE-2		
4-pin	TPE	18			889D-F4HJ-2	889D-R4HJ-2	889D-M4HJ-2	889D-E4HJ-2		
		22			889D-F4HL-2	889D-R4HL-2	889D-M4HL-2	889D-E4HL-2		
	PUR	22			889D-F4UC-2	889D-R4UC-2	889D-M4UC-2	889D-E4UC-2		
		18			889D-F4UE-2	889D-R4UE-2	889D-M4UE-2	889D-E4UE-2		
5-pin	PUR	22			889D-F5UC-2	889D-R5UC-2	889D-M5UC-2	889D-E5UC-2		
8-pin	TPR	24			30V AC/36V DC 1.5 A	B	889D-F8AC-2	—	—	—
	PUR	24					889D-F8AB-2	889D-R8AB-2	889D-M8AB-2	889D-E8AB-2
	PVC shielded	22	—	889D-F8FB-2	889D-R8FB-2		889D-M8FB-2	—		

(1) See [Pinout and Color Code on page 43](#).

(2) The 2 at the end of the catalog number is for 2 m (6.6 ft) cable length. Replace the 2 with 5 (5 m [16.4 ft]) or 10 (10 m [32.8 ft]) for standard cable lengths.

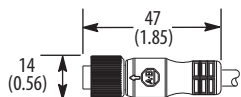
Patchcords

No. of Pins	Cable Type	Wire Size [AWG]	Assembly Rating	Color Code (1)	Cat. No. (2)					
					Straight Female Straight Male	Straight Female Right Angle Male	Right Angle Female Straight Male	Right Angle Female Right Angle Male		
3-pin	PUR	18	250V, 4 A	A	889D-F3UEDM-2	889D-F3UEDE-2	889D-R3UEDM-2	889D-R3UEDE-2		
4-pin	TPE	22			889D-F4HJDM-2	889D-F4HJDE-2	889D-R4HJDM-2	889D-R4HJDE-2		
		22			889D-F4HLDM-2	889D-F4HLDE-2	889D-R4HLDM-2	889D-R4HLDE-2		
	PUR	22			889D-F4UCDM-2	889D-F4UCDE-2	889D-R4UCDM-2	889D-R4UCDE-2		
		18			889D-F4UEDM-2	889D-F4UEDE-2	889D-R4UEDM-2	889D-R4UEDE-2		
5-pin	PUR	22			889D-F5UCDM-2	889D-F5UCDE-2	889D-R5UCDM-2	889D-R5UCDE-2		
8-pin	PVC shielded	24			30V AC/36V DC 1.5 A	B	889D-F8ABDM-2	889D-F8ABDE-2	889D-R8ABDM-2	889D-R8ABDE-2
8-pin		24					889D-F8FBDM-2	889D-F8FBDE-2	889D-R8FBDM-2	889D-R8FBDE-2

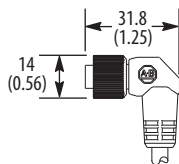
(1) See [Pinout and Color Code on page 43](#).

(2) The 2 at the end of the catalog number is for 2 m (6.6 ft) cable length. Replace the 2 with 0M3 (0.3 m [1 ft]), 1 (1 m [3.3 ft]), 5 (5 m [16.4 ft]), or 10 (10 m [32.8 ft]) for standard cable lengths.

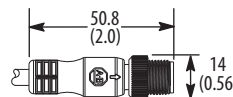
Approximate Dimensions [mm (in.)]



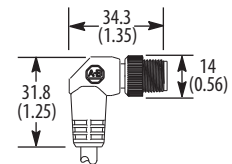
Straight Female



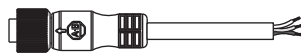
Right Angle Female



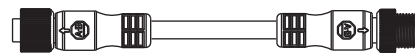
Straight Male



Right Angle Male

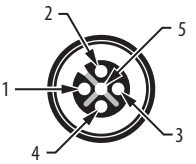
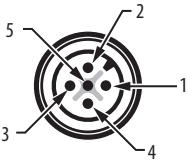
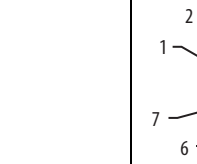
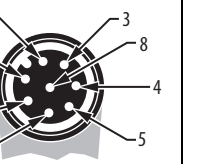


Example of Cordset



Example of Patchcord

Pinout and Color Code

Color Code	Face View Pinout							
	3-pin		4-pin		5-pin		8-pin	
								
Female	Male	Female	Male	Female	Male	Female	Male	
A	1 Brown 2 – 3 Blue 4 Black 5 –	1 Brown 2 White 3 Blue	4 Black 5 –	1 Brown 2 White 3 Blue	4 Black 5 Gray	1 Red 2 Blue 3 Green 4 Yellow	5 Black 6 White 7 N.C. 8 Gray	
B	–	–	–	–	–	1 White 2 Brown 3 Green 4 Yellow	5 Gray 6 Pink 7 Blue 8 Red	

DC Micro Style, 18 and 22 AWG, ToughLink or ToughWeld



4-pin DC Micro Cordset

Specifications

Attribute	Value
Certifications	UL Recognized and CSA Certified
Mechanical	
Coupling nut material	Epoxy-coated zinc
Material	Molded oil-resistant santoprene body
Contact material	Gold over nickel-plated brass
Cable type	ToughLink TPE or ToughWeld CPE yellow jacket, 18 AWG or 22 AWG conductors, 300V; UL Recognized and CSA Certified
Bend radius	10x diameter
Cable diameter [mm (in.)]	<ul style="list-style-type: none"> ToughLink: 8 (0.32) ToughWeld: 9 (0.35)
Electrical	
Cable rating	<ul style="list-style-type: none"> ToughLink: UL AWM style 20328 600V VW-1105C to -50C water-resistant, CSA AWM I/II A/B 105C 600V FT2 ToughWeld: UL -50C SJOOW 90C dry and 60C water-resistant, CSA -50C SJOOW 90C FT1
Assembly rating	250V, 3 A
Environmental	
Enclosure type rating	IP67, NEMA 6P, 1200 psi (8270 kPa) washdown, IP69K
Temperature rating	-50...+105 °C (-58...+221 °F)

Product Selection

Cordsets

No. of Pins	Material	Wire Size [AWG]	Assembly Rating	Color Code (1)	Cat. No. (2)			
					Straight Female	Right Angle Female	Straight Male	Right Angle Male
4-pin	ToughLink (TPE)	22	250V, 4 A	A	889D-F4HC-2	889D-R4HC-2	889D-M4HC-2	889D-E4HC-2
	ToughWeld (CPE)	18			889D-F4WE-2	889D-R4WE-2	889D-M4WE-2	889D-E4WE-2
	ToughLink	18			889D-F4HE-2	889D-R4HE-2	889D-M4HE-2	889D-E4HE-2

(1) See [Pinout and Color Code](#).

(2) The 2 at the end of the cat. no. is for 2 m (6.6 ft) cable length. Replace the 2 with 5 (5 m [16.4 ft]) or 10 (10 m [32.8 ft]) for standard cable lengths.

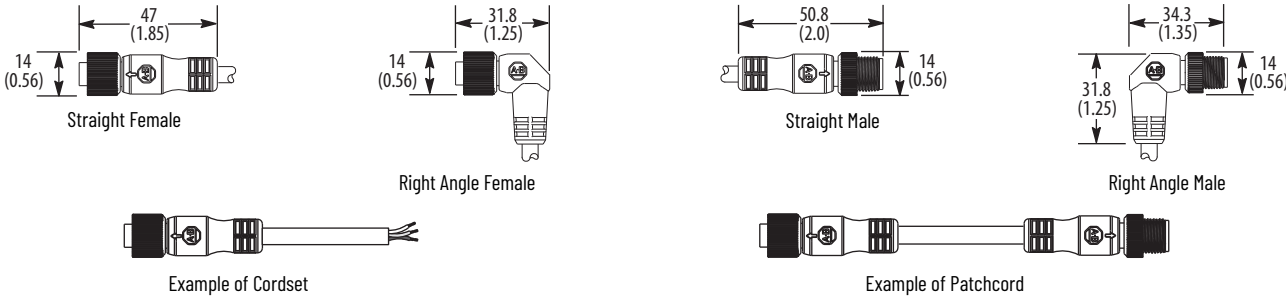
Patchcords

No. of Pins	Material	Wire Size [AWG]	Assembly Rating	Color Code (1)	Cat. No. (2)			
					Straight Female Straight Male	Straight Female Right Angle Male	Right Angle Female Straight Male	Right Angle Female Right Angle Male
4-pin	ToughLink (TPE)	22	250V, 4 A	A	889D-F4HCDM-2	889D-F4HCDE-2	889D-R4HCDM-2	889D-R4HCDE-2
	ToughWeld (CPE)	18			889D-F4WEDM-2	889D-F4WEDE-2	889D-R4WEDM-2	889D-R4WEDE-2
	ToughLink	18			889D-F4HEDM-2	889D-F4HEDE-2	889D-R4HEDM-2	889D-R4HEDE-2

(1) See [Pinout and Color Code](#).

(2) The 2 at the end of the cat. no. is for 2 m (6.6 ft) cable length. Replace the 2 with OM3 (0.3 m [1 ft]), 1 (1 m [3.3 ft]), 5 (5 m [16.4 ft]), or 10 (10 m [32.8 ft]) for standard cable lengths.

Approximate Dimensions



Pinout and Color Code

Color Code	Face View Pinout	
	4-pin	
A	1 Brown 2 White	3 Blue 4 Black

DC Micro Style, PLTC, 18 AWG and 22 AWG, Gray PVC



4-pin DC Micro Cordset

Specifications

Attribute	Value
Certifications	UL Recognized and CSA Certified
Mechanical	
Coupling nut material	Epoxy-coated zinc
Housing material	Molded oil-resistant PVC
Contact material	Gold over nickel-plated brass
Cable type	Oil-resistant gray PVC jacket, 18 AWG or 22 AWG conductors, 300V UL Listed and CSA Certified
Bend radius	10x diameter
Cable diameter [mm (in.)]	<ul style="list-style-type: none"> • 4/c: 5.5 (0.22) • 5/c: 6.1 (0.24) • 4/c (18 AWG): 6.6 (0.25)
Electrical	
Cable rating	UL PLTC AWM Style 2661VW-1 105C 300V, CSA AWM A/B 1/11 80C 300V FT1; UV-, oil-, and water-resistant
Assembly rating	250V, 4 A
Environmental	
Enclosure type rating	IP67 and IP69K
Temperature rating	-20...+105 °C (-4...+221 °F)

Product Selection

Cordsets

No. of Pins	Wire Size [AWG]	Cat. No. ⁽¹⁾			
		Straight Female (Internal Threads)	Right Angle Female (Internal Threads)	Straight Male w/External Threads	Right Angle Male w/External Threads
2-pin	22	889D-F2GC-2	889D-R2GC-2	889D-M2GC-2	889D-E2GC-2
3-pin		889D-F3GC-2	889D-R3GC-2	889D-M3GC-2	889D-E3GC-2
4-pin		889D-F4GC-2	889D-R4GC-2	889D-M4GC-2	889D-E4GC-2
	18	889D-F4GE-2	889D-R4GE-2	889D-M4GE-2	889D-E4GE-2
5-pin	22	889D-F5GC-2	889D-R5GC-2	889D-M5GC-2	889D-E5GC-2

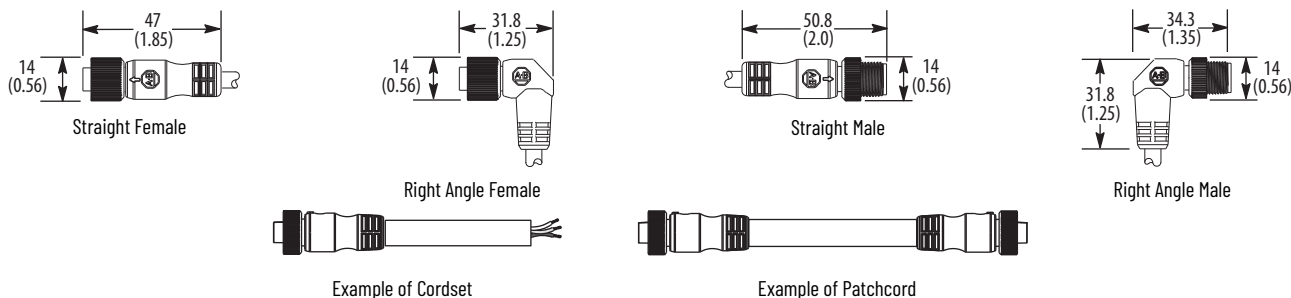
(1) The 2 at the end of the catalog number is for 2 m (6.6 ft) cable length. Replace the 2 with 5 (5 m [16.4 ft]), or 10 (10 m [32.8 ft]) for standard cable lengths.

Patchcords

No. of Pins	Wire Size [AWG]	Cat. No. ⁽¹⁾			
		Straight Female Straight Male	Straight Female Right Angle Male	Right Angle Female Straight Male	Right Angle Female Right Angle Male
2-pin	22	889D-F2GCDM-2	889D-F2GCDE-2	889D-R2GCDM-2	889D-R2GCDE-2
3-pin		889D-F3GCDM-2	889D-F3GCDE-2	889D-R3GCDM-2	889D-R3GCDE-2
4-pin		889D-F4GCDM-2	889D-F4GCDE-2	889D-R4GCDM-2	889D-R4GCDE-2
	18	889D-F4GEDM-2	889D-F4GEDE-2	889D-R4GEDM-2	889D-R4GEDE-2
5-pin	22	889D-F5GCDM-2	889D-F5GCDE-2	889D-R5GCDM-2	889D-R5GCDE-2

(1) The 2 at the end of the catalog number is for 2 m (6.6 ft) cable length. Replace the 2 with 1 (1 m [3.3 ft]), 3 (3 m [9.8 ft]), 5 (5 m [16.4 ft]), or 10 (10 m [32.8 ft]) for standard cable lengths.

Approximate Dimensions [mm (in.)]



Pinout and Color Code

Color Code	Face View Pinout			
	2-pin	3-pin	4-pin	5-pin
		Female 1 – 2 – 3 Brown 4 Blue 5 –	Male 1 Brown 2 – 3 Blue 4 Black 5 –	Female 1 Brown 2 White 3 Blue 4 Black 5 –

DC Micro Style, 20 and 22 AWG, LED or Coiled



4-pin DC Micro Cordset

Specifications

Attribute	Value
Certifications	UL Recognized and CSA Certified
Mechanical	
Coupling nut material	Epoxy-coated zinc
Material	Molded oil-resistant PVC
Contact material	Gold over nickel-plated brass
Cable type	Oil-resistant yellow PVC jacket, 20 AWG or 22 AWG stranded copper, 300V, UL Recognized and CSA Certified
Bend radius	10x diameter
Cable diameter [mm (in.)]	<ul style="list-style-type: none"> • LED: 5 (0.2) • Coiled: 7.1 (0.28)
Electrical	
Cable rating	LED models: UL AWM style 2661 VW-1105C 300V, CSA AWM A/B I/ II 80C 300V FTI; UV-, oil-, and water-resistant
Assembly rating	30V, 4 A
Environmental	
Enclosure type rating	IP67, NEMA 6P
Temperature rating	-20...+105 °C (-4...+221 °F)

Product Selection

LED Cordsets

No. of Pins	Jacket Material	Wire Size [AWG]	Color Code ⁽¹⁾	Output Type LED	Cat. No. ⁽²⁾	
					Straight Female	Right Angle Female
4-pin/3-wire DC micro	Yellow PVC	22	A	PNP	889D-B3AC-2	889D-P3AC-2
4-pin				NPN	889D-A3AC-2	889D-N4AC-2
			B	PNP	889D-B4AC-2	889D-P4AC-2
NPN				889D-A4AC-2	889D-N4AC-2	

(1) See [Pinout and Color Code on page 51](#).

(2) The 2 at the end of the catalog number is for a 2 m (6.6 ft) cable length. Replace the 2 with a 5 (5 m [16.4 ft]) or 10 (10 m [32.8 ft]) for standard cable lengths.

Change AC to:	For:	
AE	18 AWG	Yellow PVC cable
AB	24 AWG	Yellow PVC cable
EC	22 AWG	Yellow PVC, braided shield cable
FC	22 AWG	Yellow PVC, foil shield cable
BC	22 AWG	Black PVC cable
BB	24 AWG	Black PVC cable
HJ	18 AWG	TPE cable
HB	24 AWG	TPE cable
UC	22 AWG	PUR cable
UB	24 AWG	PUR cable
JB	24 AWG	Black PUR halogen-free

Coiled Cordsets

Cable	Assembly Rating	Color Code ⁽¹⁾	Cat. No.
No. of Pins			Straight Female
4-pin	20 AWG, 250V, 4 A	A	889D-F4AD-C5F

(1) See [Pinout and Color Code on page 51](#).

Patchcords

No. of Pins		Jacket Material	Wire Size	Color Code (1)	Output Type	Cat. No. (2)			
Female	Male					LED	Straight Female Straight Male	Straight Female Right Angle Male	Right Angle Female Straight Male
3-pin	4-pin	Yellow PVC	22 AWG	A	PNP	889D-B3ACDM-2	889D-B3ACDE-2	889D-P3ACDM-2	889D-P3ACDE-2
					NPN	889D-A3ACDM-2	889D-A3ACDE-2	889D-N3ACDM-2	889D-N3ACDE-2
4-pin	4-pin				PNP	889D-B4ACDM-2	889D-B4ACDE-2	889D-P4ACDM-2	889D-P4ACDE-2
					NPN	889D-A4ACDM-2	889D-A4ACDE-2	889D-N4ACDM-2	889D-N4ACDE-2

(1) See [Pinout and Color Code on page 51](#).

(2) The 2 at the end of the catalog number is for 2 m (6.6 ft) cable length. Replace the 2 with 5 (5 m [16.4 ft]) or 10 (10 m [32.8 ft]) for standard cable lengths.

Change AC to:	For:	
AE	18 AWG	Yellow PVC cable
AC	22 AWG	Yellow PVC cable
AB	22 AWG	Yellow PVC cable
EC	22 AWG	Yellow PVC, braided shield cable
BC	22 AWG	Black PVC cable
BB	24 AWG	Black PVC cable
HJ	18 AWG	TPE cable
HB	24 AWG	TPE cable
UC	22 AWG	PUR cable
UB	24 AWG	PUR cable
JB	24 AWG	Black PUR halogen-free

Patchcords—Threaded

No. of Pins		Jacket Material	Wire Size	Color Code (1)	Output Type	Cat. No. (2)			
Female	Male					LED	Straight Female Straight Male	Straight Female Right Angle Male	Right Angle Female Straight Male
4-pin	4-pin	Yellow PVC	22 AWG	A	PNP	889D-B3ABPM-2	889D-B3ABPE-2	889D-P3ABPM-2	889D-P3ABPE-2
					NPN	889D-A3ABPM-2	889D-A3ABPE-2	889D-N3ABPM-2	889D-N3ABPE-2

(1) See [Pinout and Color Code on page 51](#).

(2) The 2 at the end of the catalog number is for 2 m (6.6 ft) cable length. Replace the 2 with 5 (5 m [16.4 ft]) or 10 (10 m [32.8 ft]) for standard cable lengths.

Change AB to:	For:	
BB	24 AWG	Black PVC cable
HB	24 AWG	TPE cable
UB	24 AWG	PUR cable
JB	24 AWG	Black PUR halogen-free

Patchcords—Snap On

No. of Pins		Jacket Material	Wire Size	Color Code (1)	Output Type	Cat. No. (2)			
Female	Male					LED	Straight Female Straight Male	Straight Female Right Angle Male	Right Angle Female Straight Male
4-pin	4-pin	Yellow PVC	24 AWG	A	—	889D-B3UBPG-2	889D-B3UBPH-2	889D-P3UBPG-2	889D-P3UBPH-2
						889D-A3UBPG-2	889D-A3UBPH-2	889D-N3UBPG-2	889D-N3UBPH-2


(1) See [Pinout and Color Code](#).

(2) The 2 at the end of the catalog number is for 2 m (6.6 ft) cable length. Replace the 2 with 5 (5 m [16.4 ft]) or 10 (10 m [32.8 ft]) for standard cable lengths.

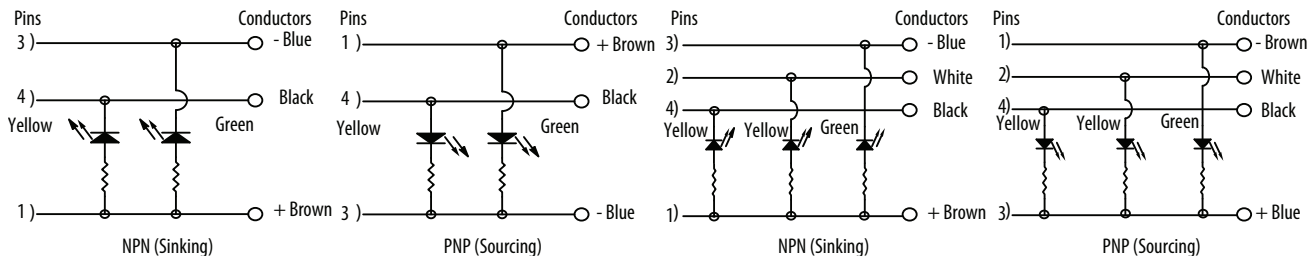
Change UB to:	For:	
JB	24 AWG	Black PUR halogen-free

IMPORTANT PNP cable used with PNP sensor output. NPN cable used with NPN sensor output.
Stainless steel models are available by changing 889D to 889DS.

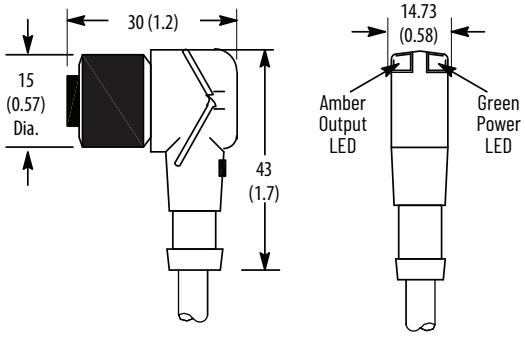
Pinout and Color Code

Color Code	Face View Pinout	
	4-pin	
		
A	1 Brown 2 —	3 Blue 4 Black
B	1 Brown 2 White	3 Blue 4 Black

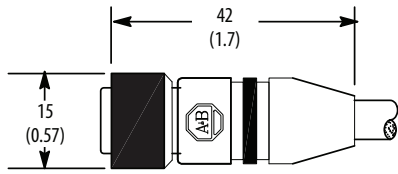
Wiring Diagrams



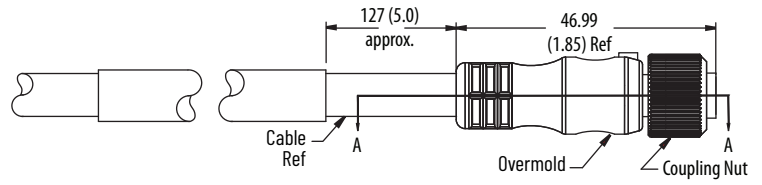
Approximate Dimensions [mm (in.)]



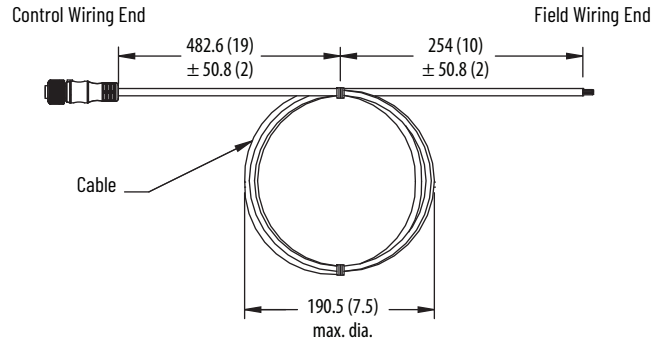
Right Angle Female



Straight Female



Cable Coiling



DC Micro Style, 24 AWG, Pico to Micro, PVC



DC Micro to Pico Patchcord

Specifications

Attribute	Value
Certifications	UL Recognized and CSA Certified
Mechanical	
Coupling nut material	<ul style="list-style-type: none"> DC Micro: Black epoxy-coated zinc Pico: Nickel-plated brass
Material	<ul style="list-style-type: none"> DC Micro: Molded oil-resistant PUR Pico: Molded oil-resistant TPE
Contact material	Gold over nickel-plated brass
Cable type	Oil-resistant yellow PVC jacket, 24 AWG conductors, 300V, UL Recognized and CSA Certified
Cable diameter [mm (in.)]	<ul style="list-style-type: none"> 3/c = 4.6 (0.18) 4/c = 4.6 (0.18)
Electrical	
Cable rating	UL CM AWM style 2661 VW-1 105C 300V, CSA AWM A/B I/II 105C 300V FT1
Assembly rating	60V AC/75V DC, 4 A
Environmental	
Enclosure type rating	<ul style="list-style-type: none"> Screw-type: IP67 Snap-on type: IP65
Temperature rating	<ul style="list-style-type: none"> PVC and TPE models: -20...+105 °C (-4...+221 °F) PUR models: -20...+80 °C (-4...+176 °F)

Product Selection

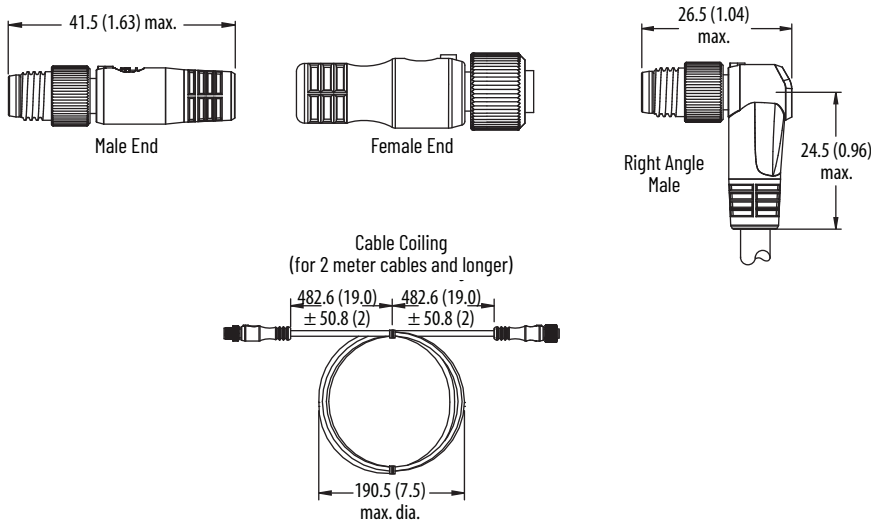
Patchcords

Style: Female to Male	Pinout (1)	Wire Size [AWG]	Assembly Rating	Cat. No. (2)			
				Straight Female Straight Male	Straight Female Right Angle Male	Right Angle Female Straight Male	Right Angle Female Right Angle Male
3-pin Pico to 4-pin Micro	A	24	60V AC/75V DC, 4 A	889P-F3ABD4M-2	889P-F3ABD4E-2	889P-R3ABD4M-2	889P-R3ABD4E-2
4-pin Pico to 4-pin Micro	B	24	60V AC/75V DC 4 A	889P-F4ABDM-2	889P-F4ABDE-2	—	—
4-pin Micro to 3-pin Pico	C	24	60V AC/75V DC, 4 A	889D-F4ABP3M-2	889D-F4ABP3E-2	889D-R4ABP3M-2	889D-R4ABP3E-2

(1) See [Pinout](#).

(2) The 2 at the end of the catalog number is for 2 m (6.6 ft) cable length. Replace the 2 with 1 (1 m [3.3 ft]), 5 (5 m [16.4 ft]), or 10 (10 m [32.8 ft]) for standard cable lengths.

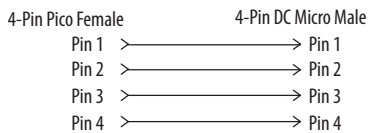
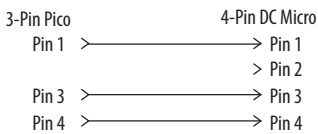
Approximate Dimensions



Pinout

Face View Pinout					
A		B		C	
Female	Male	Female	Male	Female	Male
3-pin Pico Female to 4-pin DC Micro Male		4-pin Pico Female to 4-pin DC Micro Male		4-pin DC Micro Female to 3-pin Pico Male	

Typical Wiring Diagrams



DC Micro Style, 22 AWG, Yellow or Black PVC V-cables



Specifications

Attribute	Value
Certifications	UL Recognized and CSA Certified
Mechanical	
Coupling nut material	Epoxy-coated zinc
Connector insert material	Molded oil-resistant PUR
Contact material	Gold over nickel-plated brass
Cable type	Oil-resistant PVC jacket, 22 AWG conductors, 300V
Cable diameter	5 mm (0.21 in.) PVC unshielded
Electrical	
Cable rating	UL AWM style 2661 VW-1 105C 300V, CSA AWM A/B I/II 80C 300V FT; UV-, oil-, and water-resistant
Assembly rating	30V, 4 A
Environmental	
Enclosure type rating	IP67, NEMA 6P, 1200 psi (8270 kPa) washdown, IP69K
Temperature rating	-20...+105 °C (-4...+221 °F)

Product Selection

V-cable Cordsets

Type	Jacket Material	Assembly Rating	Cat. No. ⁽¹⁾
3-pin to 4-pin			
Standard wiring	Yellow PVC	250V, 4 A	879D-C3ACD4M-2

(1) The 2 at the end of the catalog number is for 2 m (6.6 ft) cable length. Replace the 2 with 0M3 (0.3 m [1 ft]), 1 (1 m [3.3 ft]), or 5 (5 m [16.4 ft]) for standard cable lengths.

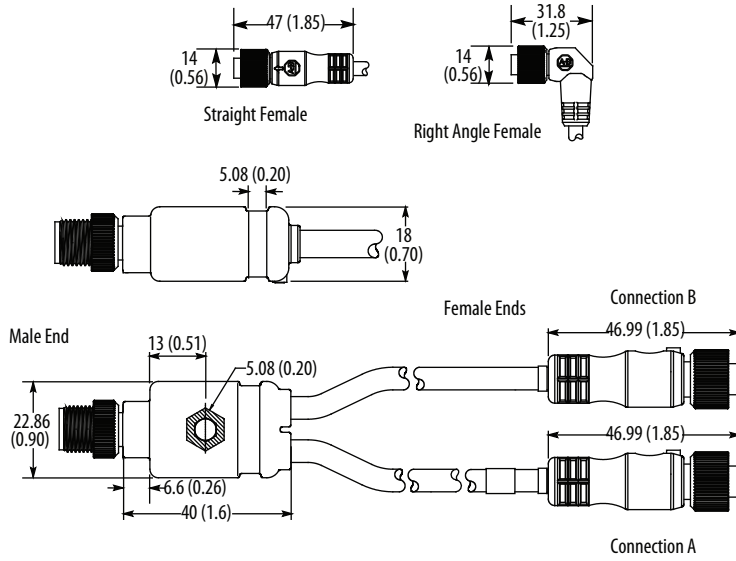
V-cable Patchcords

Type	Jacket Material	Assembly Rating	Cat. No. ⁽¹⁾	
			Straight Female	Right Angle Female
Standard wiring	Yellow PVC	250V, 4 A	879D-F4ACDM-2	879D-R4ACDM-2
	Black PVC		879D-F4BCDM-2	879D-R4BCDM-2
Standard wiring with Pin 5	Yellow PVC		879D-F5ACDM-2	879D-R5ACDM-2
	Black PVC		879D-F5BCDM-2	879D-R5BCDM-2
Individual power wiring	Yellow PVC		879D-F4ACD5M-2	879D-R4ACD5M-2
	Black PVC		879D-F4BCD5M-2	879D-R4BCD5M-2
Standard wiring	Yellow braided PVC		879D-F4ECDM-2	879D-R4ECDM-2
5-pin wiring	Yellow braided PVC		879D-F5ECDM-2	879D-R5ECDM-2
Mat manager wiring	Yellow PVC		879D-F4ACDM-B2	879D-R4ACDM-B2
Individual power wiring	Yellow braided PVC		879D-F4ECD5M-2	879D-R4ECD5M-2

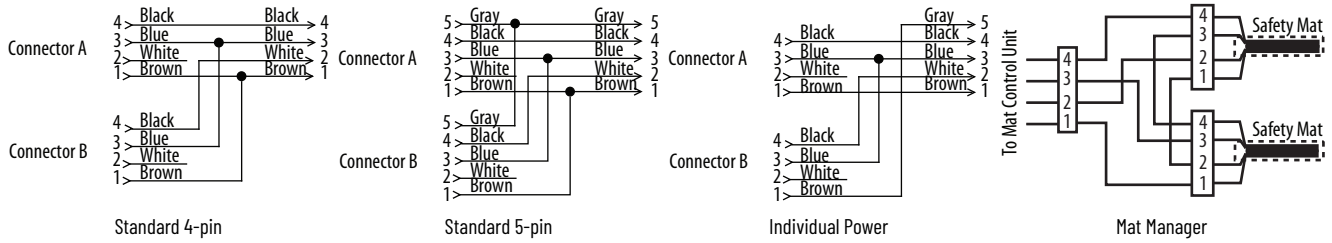
(1) The 2 at the end of the catalog number is for 2 m (6.6 ft) cable length. Replace the 2 with 0M3 (0.3 m [1 ft]), 1 (1 m [3.3 ft]), or 5 (5 m [16.4 ft]) for standard cable lengths.

IMPORTANT Stainless steel connectors can be ordered by adding an S to the bulletin number, for example, 879DS-F4DM-*

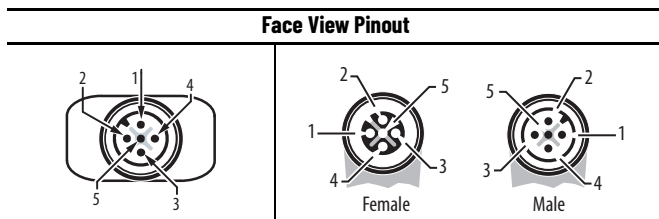
Approximate Dimensions [mm (in.)]



Wiring Diagrams



Pinout



DC Micro Style, V-cable LEDs



DC Micro V-cable

Specifications

Attribute	Value
Certifications	UL Recognized and CSA Certified
Mechanical	
Coupling nut material	Epoxy-coated zinc
Connector insert material	Molded oil-resistant PUR
Contact material	Gold over nickel-plated brass
Cable type	Oil-resistant PVC jacket, 22 AWG conductors, 300V
Cable diameter	5 mm (0.21 in.) PVC unshielded
Electrical	
Cable rating	UL AWM style 2661 VW-1 105C 300V, CSA AWM A/B I/II 80C 300V FTI; UV-, oil-, and water-resistant
Assembly rating	30V, 4 A
Environmental	
Enclosure type rating	IP67, NEMA 6P, 1200 psi (8270 kPa) washdown, IP69K
Temperature rating	-20...+105 °C (-4...+221 °F)

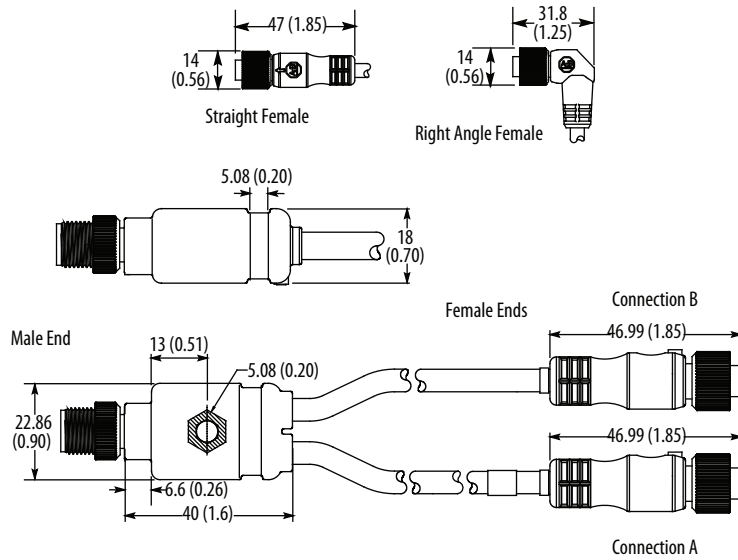
Product Selection

Type	Output Type	Wire Size [AWG]	Jacket Material	Cat. No. ⁽¹⁾	
				Straight Female	Right Angle Female
Standard wiring	PNP	22	Yellow PVC	879D-B4ACDM-2	879D-P4ACDM-2
	NPN			879D-A4ACDM-2	879D-N4ACDM-2
Individual power	PNP			879D-B4ACD5M-2	879D-P4ACD5M-2
	NPN			879D-A4ACD5M-2	879D-N4ACD5M-2

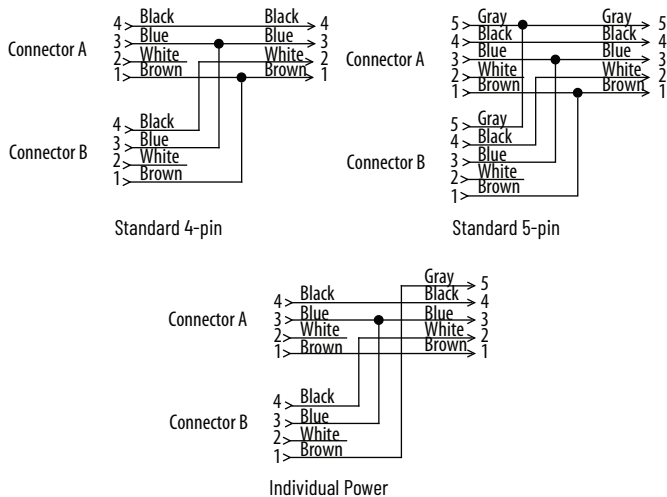
(1) The 2 at the end of the catalog number is for 2 m (6.6 ft) cable length. Replace the 2 with 0M3 (0.3 m [1 ft]), 1 (1 m [3.3 ft]), or 5 (5 m [16.4 ft]) for standard cable lengths.

Change AC to:	For:	
EC	22 AWG	Yellow, braided cable
BC	22 AWG	Black PVC cable
AE	18 AWG	Yellow PVC cable
HJ	18 AWG	Yellow TPE flex-rated cable

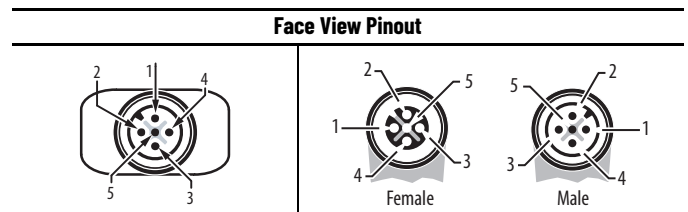
Approximate Dimensions [mm (in.)]



Wiring Diagrams



Pinout



DC Micro Style, V-cables 18 AWG, PVC and TPE



DC Micro V-cable

Specifications

Attribute	Value
Certifications	UL Recognized and CSA Certified
Mechanical	
Coupling nut material	Epoxy-coated zinc
Connector insert material	Molded oil-resistant PVC
Contact material	Gold over nickel-plated brass
Cable type	Oil-resistant yellow PVC or TPE jacket, 18 AWG conductors, 300V
Cable diameter	<ul style="list-style-type: none"> PVC: 6.5 mm (0.25 in.) TPE: 7 mm (0.28 in.)
Electrical	
Cable rating	<ul style="list-style-type: none"> PVC: UL AWM style 2661 VW-1 105C 300V, CSA AWM A/B I/II 80C 300V FT1; UV-, oil-, and water-resistant TPE: UL AWM style 20327 VW-1 105C 300V, CSA AWM A/B I/II 105C 300V FT1; UV-, oil-, and water-resistant
Assembly rating	250V, 4 A
Environmental	
Enclosure type rating	IP67, NEMA 6P, 1200 psi (8270 kPa) washdown, IP69K
Temperature rating	-20...+105 °C (-4...+221 °F)

Product Selection

V-cable Cordsets

Type	Jacket Material	Assembly Rating	Cat. No. (1)
3-pin to 4-pin	Yellow PVC	250V, 4 A	879D-C3AED4M-2
Standard wiring			

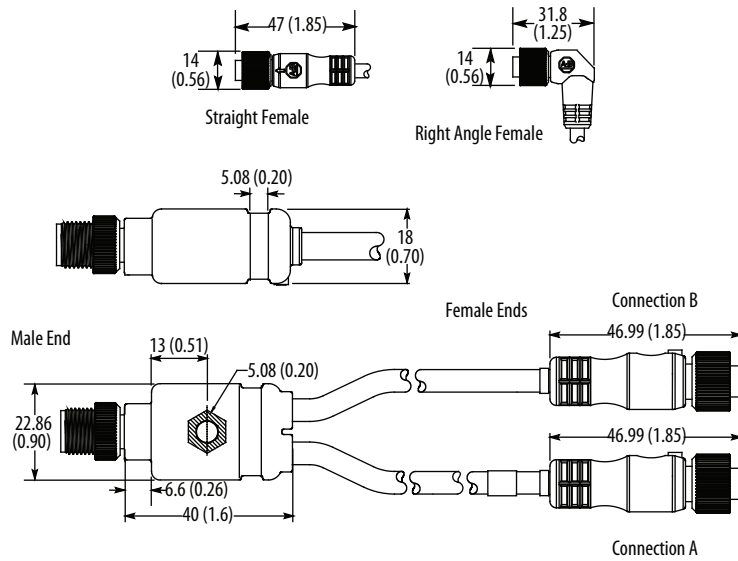
(1) The 2 at the end of the catalog number is for 2 m (6.6 ft) cable length. Replace the 2 with 0M3 (0.3 m [1 ft]), 1 (1 m [3.3 ft]), or 5 (5 m [16.4 ft]) for standard cable lengths.

V-cables

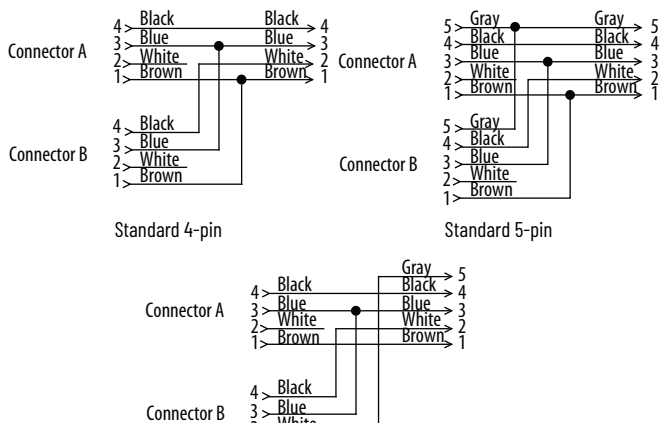
Type	Jacket Material	Assembly Rating	Cat. No. (1)	
			Straight Female	Right Angle Female
Standard wiring	Yellow PVC	250V, 4 A	879D-F4AEDM-2	879D-R4AEDM-2
	Yellow TPE		879D-F4HJDM-2	879D-R4HJDM-2
Individual power wiring	Yellow PVC	250V, 4 A	879D-F4AED5M-2	879D-R4AED5M-2
	Yellow TPE		879D-F4HJD5M-2	879D-R4HJD5M-2

(1) The 2 at the end of the catalog number is for 2 m (6.6 ft) cable length. Replace the 2 with 0M3 (0.3 m [1 ft]), 1 (1 m [3.3 ft]), or 5 (5 m [16.4 ft]) for standard cable lengths.

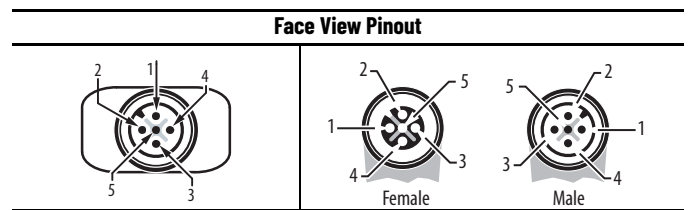
Approximate Dimensions



Wiring Diagrams



Pinout



DC Micro Style, Y-cables 22 AWG, PVC and TPE



DC Micro V-cable

Specifications

Attribute	Value
Certifications	UL Recognized and CSA Certified
Mechanical	
Coupling nut material	Epoxy-coated zinc
Connector insert material	Molded oil-resistant PVC
Contact material	Gold over nickel-plated brass
Cable type	Oil-resistant yellow PVC or TPE jacket, 18 AWG conductors, 300V
Cable diameter	<ul style="list-style-type: none"> PVC: 6.5 mm (0.25 in.) TPE: 7 mm (0.28 in.)
Electrical	
Cable rating	<ul style="list-style-type: none"> PVC: UL AWM style 2661 VW-1 105C 300V, CSA AWM A/B I/II 80C 300V FT1; UV-, oil-, and water-resistant TPE: UL AWM style 20327 VW-1 105C 300V, CSA AWM A/B I/II 105C 300V FT1; UV-, oil-, and water-resistant
Assembly rating	250V, 4 A
Environmental	
Enclosure type rating	IP67, NEMA 6P, 1200 psi (8270 kPa) washdown, IP69K
Temperature rating	-20...+105 °C (-4...+221 °F)

Product Selection

Type	Jacket Material	Connector End	Pigtail	Cat. No. (1)(2)(3)
Standard wiring	Yellow PVC	Straight female	Straight male	879D-F4ACT1M-2
			Right angle male	879D-F4ACT1E-2
		Right angle female	Straight male	879D-R4ACT1M-2
			Right angle male	879D-R4ACT1E-2
5-pin wiring	Yellow PVC	Straight female	Straight male	879D-F5ACT1M-2
			Straight male	879D-F5ACT1E-2
		Right angle female	Straight male	879D-R5ACT1M-2
			Right angle male	879D-R5ACT1E-2
Individual power wiring	Yellow braided PVC	Straight female	Straight male	879D-F5AC5T1M-2
			Straight male	879D-F5AC5T1E-2
		Right angle female	Straight male	879D-R5AC5T1M-2
			Right angle male	879D-R5AC5T1E-2

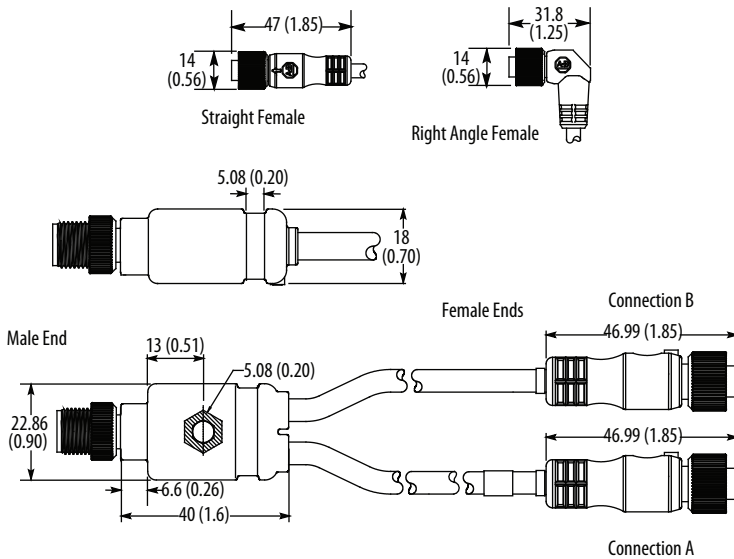
(1) The 2 at the end of the catalog number is for 2 m (6.6 ft) cable length. Replace the 2 with 0M3 (0.3 m [1 ft]), 1 (1 m [3.3 ft]), or 5 (5 m [16.4 ft]) for standard cable lengths.

(2) The 1 represents the Y-cable extension. Replace the 1 with 0M3 (0.3 m [1 ft]), 2 (2 m [6.6 ft]), 5 (5 m [16.4 ft]), or 10 (10 m [32.8 ft]) for standard Y-cable lengths.

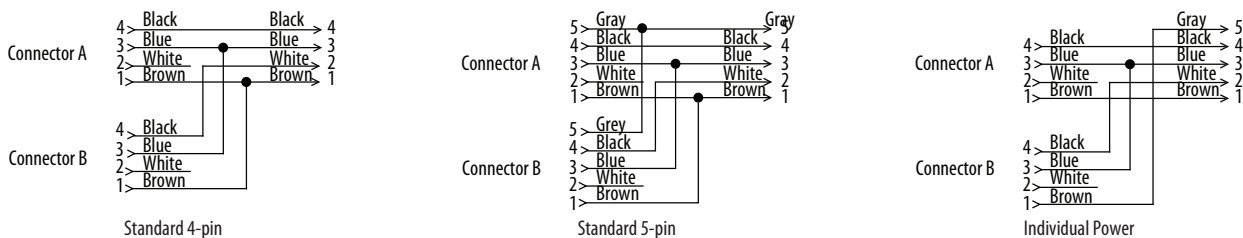
(3) See following table:

Change AC to:	For:	
EC	22 AWG	Yellow, braided OVC cable
BC	22 AWG	Black PVC cable
AE	18 AWG	Yellow PVC cable
HJ	18 AWG	Yellow TPE flex-rated cable

Approximate Dimensions [mm (in.)]



Wiring Diagrams



DC Micro Style Splitters Standard Individual Power and Tap-Style Wiring



Splitter, DC Micro

Specifications

Attribute	Value
Certifications	UL Recognized and CSA Certified
Mechanical	
Coupling nut material	Black epoxy-coated zinc
Connector insert material	PUR
Contact material	Gold over nickel-plated brass
O-ring material	Viton
Electrical	
Assembly rating	250V, 4 A
Environmental	
Enclosure type rating	IP67, NEMA 6P, 1200 psi (8270 kPa) washdown
Temperature rating	-20...+105 °C (-4...+221 °F)

Product Selection

Connector Style	Wiring Diagram	Assembly Rating	Dimensions ⁽¹⁾	Cat. No.
Standard wiring (without pin 5)		250V, 4 A	Fig. A	879D-F4DM
Standard wiring (with pin 5)				879D-F5DM
Standard wiring (with pin 5) for MDSA		250V, 4 A	Fig. C	898D-53PY-D5 ⁽²⁾
Individual power wiring		250V, 4 A	Fig. A	879D-F4D5M
Tap-style wiring		250V, 4 A		1485P-RDR5
		250V, 4 A	Fig. B	1485P-DRR5

(1) See [Approximate Dimensions \[mm \(in.\)\] on page 65](#).

(2) This model ships with nickel-plated brass coupling nuts and is not available in stainless steel version.

IMPORTANT Stainless steel connectors can be ordered by adding an S to the bulletin number, for example 879DS-F4DM-*

Approximate Dimensions [mm (in.)]

Figure A

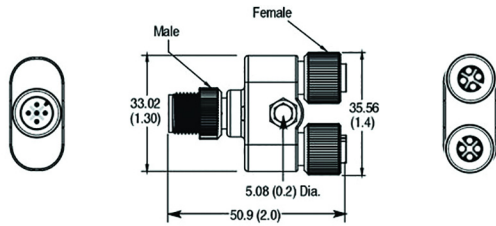


Figure B

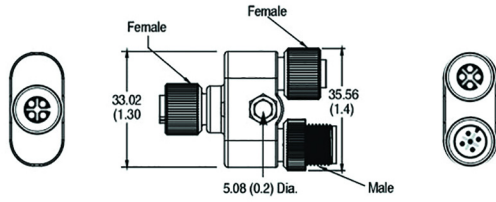
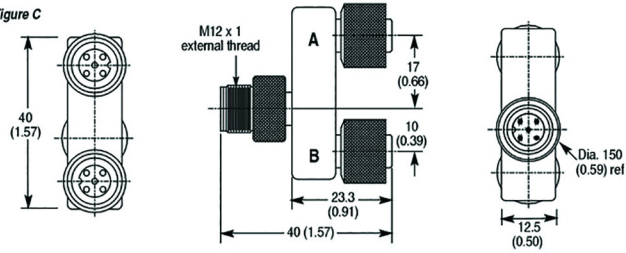


Figure C



Pinout

Face View Pinout 4-pin			
Color Code			
A	<table style="width: 100%; border: none;"> <tr> <td style="width: 50%; border: none;">1 Brown 2 White</td> <td style="width: 50%; border: none;">3 Blue 4 Black</td> </tr> </table>	1 Brown 2 White	3 Blue 4 Black
1 Brown 2 White	3 Blue 4 Black		

DC Micro Style Receptacles, 18 AWG and 22 AWG, 1/2 NPT, 1/4 NPT, M14, Rear-mount, or PG9 Mounting Threads



DC Micro Female Receptacle

Specifications

Attribute	Value
Mechanical	
Receptacle shell material	Black anodized machined nickel
Connector insert material	Nylon or TPU
Contact material	Gold over nickel-plated brass
Cable type	Oil-resistant PVC, 18 AWG or 22 AWG stranded copper, 300V, UL Recognized and CSA Certified
Electrical	
Assembly rating	250V, 4 A 8-pin: 300V, 1.5 A
Environmental	
Enclosure type rating	NEMA 1, 3, 4, 6P and IEC IP68
Operating temperature	-40...+105 °C (-40...+221 °F)
O-ring Material	Buna-N

Mating Components and Accessories

Description	Cat. No. ⁽¹⁾
1/2-inch 14 NPT mounting nut	889A-U1NUT-10
1/2-inch 14 NPT flat sealing washer	889A-U1FSL-10

(1) Sold in bags of 10.

Product Selection

22 AWG Receptacles

No. of Pins	Assembly Rating [AWG]	Drawing ⁽¹⁾	Panel Mount Threads	Cat. No.	
				Female	Male
3-pin	250V, 4 A	A	1/4 inch-18 NPT	888D-F3AC2-1 ⁽²⁾	—
		C	1/2 inch-14 NPT	888D-F3AC1-1	888D-M3AC1-1 ⁽¹⁾
		B	M14 x 1	888D-F3AC6-1	888D-M3AC6-1 ⁽¹⁾
		D	Rear mount PG 9	888D-F3AC5-1 ⁽³⁾	888D-M3AC5-1 ⁽²⁾
4-pin	250V, 4 A	A	1/4 inch-18 NPT	888D-F4AC2-1 ⁽¹⁾	
		C	1/2 inch-14 NPT	888D-F4AC1-1	888D-M4AC1-1 ⁽¹⁾
		B	M14 x 1	888D-F4AC6-1	888D-M4AC6-1 ⁽¹⁾
		D	Rear mount PG 9	888D-F4AC5-1 ⁽²⁾	888D-M4AC5-1 ⁽²⁾
5-pin	250V, 4 A	C	1/2 inch-14 NPT	888D-F5AC1-1 ⁽¹⁾	888D-M5AC1-1 ⁽¹⁾
		B	M14 x 1	888D-F5AC6-1 ⁽¹⁾	888D-M5AC6-1 ⁽¹⁾
		D	Rear mount PG 9	888D-F5AC5-1 ⁽²⁾	888D-M5AC5-1 ⁽²⁾
8-pin	24 AWG, 300V, 2.0 A	E	PG 9	888D-F8AB3-1 ⁽¹⁾	888D-M8AB3-1 ⁽¹⁾

(1) See [Approximate Dimensions \[mm \(in.\)\] on page 68](#).

(2) The 1 at the end of the catalog number is for 1 m (3.3 ft) cable length. Replace the 1 with OM3 (0.3 m [1 ft]) for standard cable lengths.

(3) The 1 at the end of the catalog number is for 1 m (3.3 ft) cable length. Replace the 1 with OM5 (0.5 m [1 ft]) for standard cable lengths.

18 AWG Receptacles

No. of Pins	Assembly Rating [AWG]	Drawing ⁽¹⁾	Panel Mount Threads	Cat. No.	
				Female	Male
4-pin	250V, 4 A	C	1/2 inch-14 NPT	888D-F4AE1-1 ⁽²⁾	888D-M4AE1-1 ⁽¹⁾
		D	Rear mount PG9	888D-F4AE5-1 ⁽³⁾	888D-M4AE5-1 ⁽²⁾
5-pin		C	1/2 inch-14 NPT	888D-F5AE1-1 ⁽¹⁾	888D-M5AE1-1 ⁽¹⁾

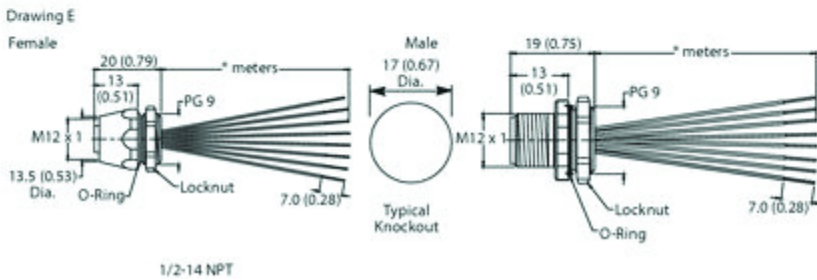
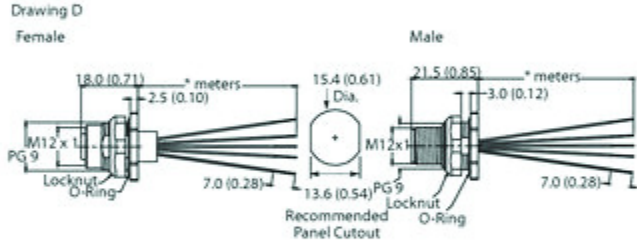
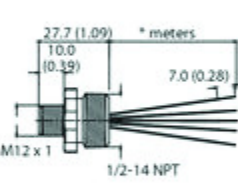
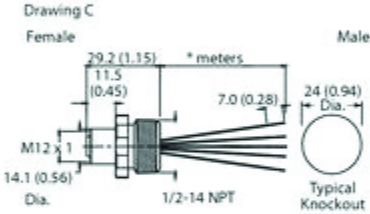
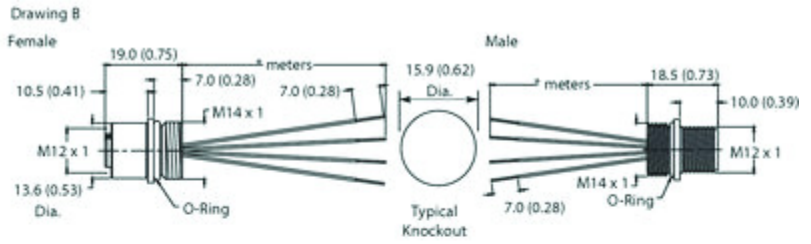
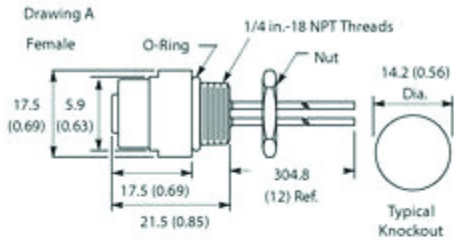
(1) See [Approximate Dimensions \[mm \(in.\)\] on page 68](#).

(2) The 1 at the end of the catalog number is for 1 m (3.3 ft) cable length. Replace the 1 with OM3 (0.3 m [1 ft]) for standard cable lengths.

(3) The 1 at the end of the catalog number is for 1 m (3.3 ft) cable length. Replace the 1 with OM5 (0.5 m [1 ft]) for standard cable lengths.

IMPORTANT The 1/2-inch NPT mounting threads model mounting nuts and flat sealing washers are sold separately.

Approximate Dimensions [mm (in.)]



Pinout and Color Code

Color Code	Face View Pinout							
	3-pin		4-pin		5-pin		8-pin	
	Female				Male			
A	1 Brown 2 N/C	3 Blue 4 Black	1 Brown 2 White	3 Blue 4 Black	1 Brown 2 White 3 Blue	4 Black 5 Gray	White Brown Green Yellow	Gray Pink Blue Red

DC Micro Style Terminal Chambers

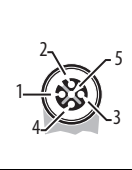
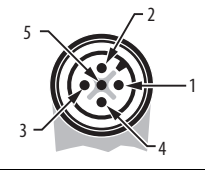
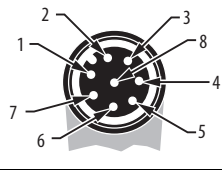
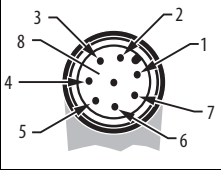


DC Micro Female

Specifications

Attribute	Value
Mechanical	
Coupling nut material	Nickel-plated brass
Connector shell material	<ul style="list-style-type: none"> Embedded thermistor models: Nylon All other models: PBT
Contact material	Gold-plated palladium nickel
Cable diameter, max	18 AWG (0.75 mm ²)
Electrical	
Assembly rating	<ul style="list-style-type: none"> 4- or 5-pin: 250V, 4 A 8-pin: 60V, 2 A
Environmental	
Enclosure type rating	IP67
Operating temperature	-40...+88 °C (-40...+185 °F)

Pinout

Face View Pinout			
4-pin	5-pin	8-pin	
			
Female	Male	Female	Male

Product Selection

Single-cable Model Terminal Chambers

No. of Pins	Cable Jacket Diameter [mm (in.)]	Assembly Rating	Rear Nut Thread Size	Cat. No.			
				Straight Female	Right Angle Female	Straight Male	Right Angle Male
4-pin	4.0...6.0 (0.16...0.24)	250V, 4 A	PG 7	871A-TS4-D	871A-TR4-D	871A-TS4-DM	871A-TR4-DM
	6.0...8.0 (0.24...0.32)		PG 9	871A-TS4-D1	871A-TR4-D1	871A-TS4-DM1	871A-TR4-DM1
5-pin	4.0...6.0 (0.16...0.24)		PG 7	871A-TS5-D	871A-TR5-D	871A-TS5-DM	871A-TR5-DM
	6.0...8.0 (0.24...0.32)		PG 9	871A-TS5-D1	871A-TR5-D1	871A-TS5-DM1	871A-TR5-DM1
8-pin	6.0...8.0 (0.24...0.32)	60V, 2 A	PG 9	871A-TS8-D1	—	871A-TS8-DM1	—

Dual-cable Model Terminal Chambers

No. of Pins	Cable Jacket Diameter [mm (in.)]	Assembly Rating	Rear Nut Thread Size	Cat. No.	
				Straight Male	Right Angle Male
4-pin	Two cables 2.1...3.0 (0.08...0.12) or 3.5...5.2 (0.14...0.21)	250V, 4 A	PG 9	871A-VS4-DM	871A-VR4-DM
5-pin				871A-VS5-DM	871A-VR5-DM

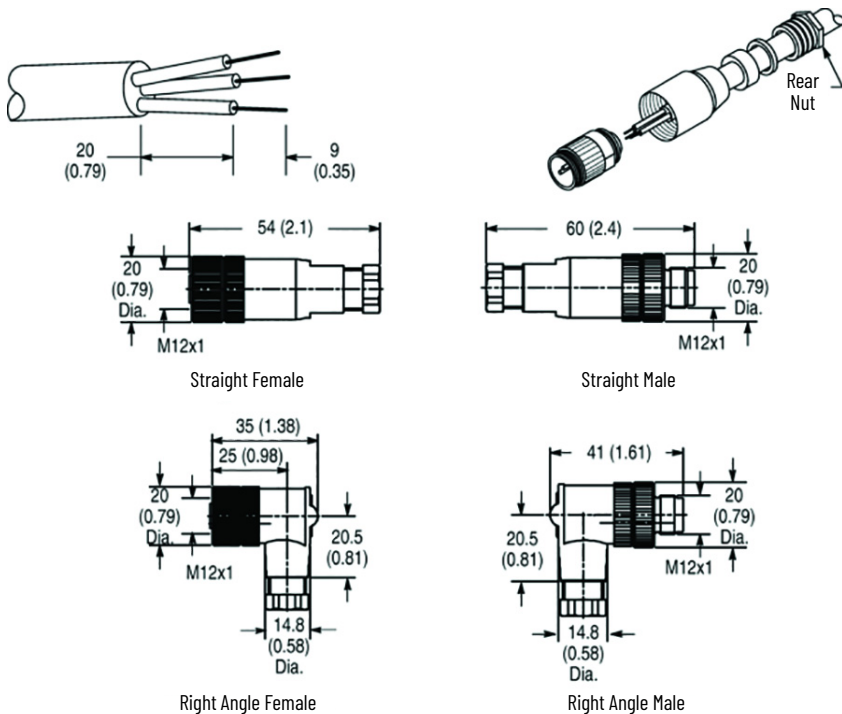
Embedded Thermistor Terminal Chambers

No. of Pins	Cable Jacket Diameter [mm (in.)]	Assembly Rating	Wiring Diagram	Cat. No. ⁽¹⁾	
				Straight Male	Right Angle Male
4-pin	3.0...6.5 (0.12...0.26)	250V, 4 A		871A-TS4CJC-DM	871A-TR4CJC-DM

(1) The standard for this model is nickel-plated brass coupling nuts and is not available in stainless steel.

IMPORTANT For stainless steel coupling nuts, add an S to the bulletin number, for example, 871AS-TS4-DM).

Approximate Dimensions [mm (in.)]



DC Micro Style Field Attachable Insulation Displacement Connector



DC Micro Male

Specifications

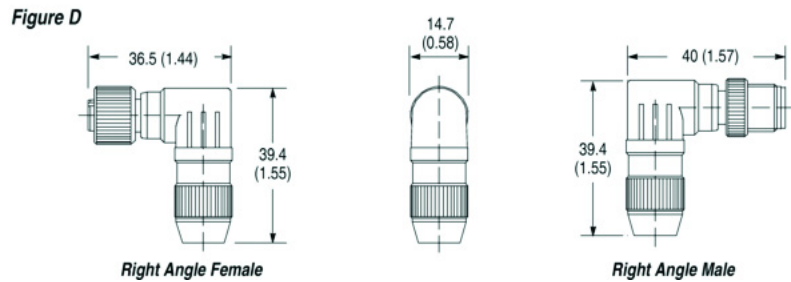
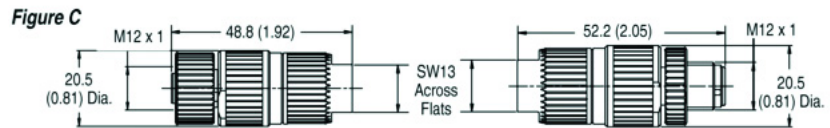
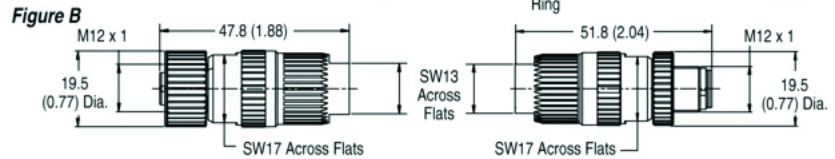
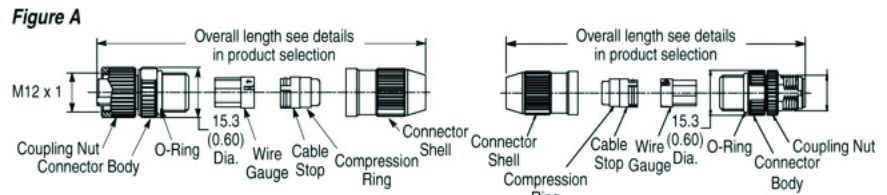
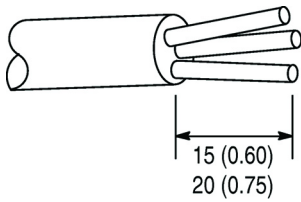
Attribute	Value
Mechanical	
Coupling nut material	Zinc die-cast
Connector shell material	Zinc die-cast or polyamide
Contact material	Gold-plated palladium nickel
IDC installations, max	10
Cable diameter	<ul style="list-style-type: none"> • 26...22 AWG, 20 AWG: 1.0...1.6 mm (0.039...0.063 in.) • 24...22 AWG, 22...18 AWG: 1.6...2.0 mm (0.063...0.079 in.)
Electrical	
Assembly rating	<ul style="list-style-type: none"> • 32V, 4 A • 50V, 6 A
Environmental	
Enclosure type rating	IP67
Operating temperature	-25...+85 °C (-13...+185 °F)
Installation temperature	-5...+50 °C (23...185 °F)

Product Selection

No. of Pins	Connector Body	Dimension Figures ⁽¹⁾	Cable diameter [mm (in.)]	Wire Size [AWG]	Assembly Rating	Cat. No.			
						Straight Female	Straight Male	Right Angle Female	Right Angle Male
4-pin	Polyamide Small body unshielded	A and D	4.0...5.1 (0.16...0.20)	26...22	32V 4 A	889D-F4DC-H	889D-M4DC-H	889D-R4DC-H	889D-E4DC-H
	Zinc die-cast Large body shielded	B	7.0...8.8 (0.28...0.35)	24...22	32V 4 A	889D-F4DC-SH	889D-M4DC-SH	—	—
	Polyamide Large body unshielded	C	5.5...8.0 (0.22...0.31)	22...18	50V 6 A	889D-F4CE-H	889D-M4CE-H	—	—
3-pin	Polyamide Small body unshielded	A and D	4.0...5.1 (0.16...0.20)	26...22	32V, 4 A	889D-F3DC-H	889D-M3DC-H	889D-R3DC-H	889D-E3DC-H

(1) See [Approximate Dimensions \[mm \(in.\)\]](#).

Approximate Dimensions [mm (in.)]



Pinout

Face View Pinout	
4-pin	5-pin
Female	Male

DC Micro Style Bulkhead Pass-Thru



DC Micro Bulkhead Pass-thru

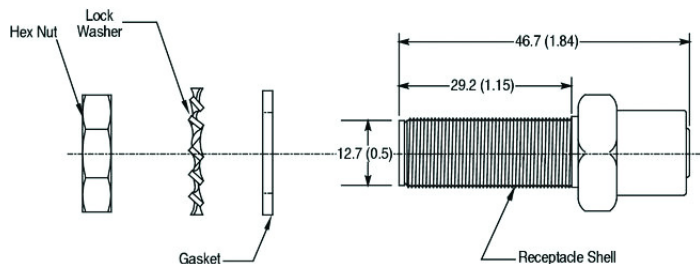
Specifications

Attribute	Value
Certifications	UL Recognized and CSA Certified
Mechanical	
Shell and lock nut material	Nickel-plated brass
Connector insert material	Nylon
Gasket material	Neoprene
Thrust Washer	Steel alloy
Contact material	Gold-plated palladium nickel
Typical knockout	12.7 mm (0.50 in.)
Environmental	
Enclosure type rating	IP67
Operating temperature	-20...+80 °C (-4...+176 °F)

Product Selection

Face View of Female	Assembly Rating	Face View of Male	Cat. No.
	250V, 4 A		1485A-CXR5-D5

Approximate Dimensions [mm (in.)]



M12 Power (L-code), 16 AWG, Black PUR



5-pin M12 L-code Cordset

Specifications

Attribute	Value
Certifications	CE Marked and c-UL-us
Mechanical	
Molded body material/color	TPU/black
Contact carrier female material/color	PBT GF/gray
Contact material/plating	CuNi/Au
Shield sleeve material	CuZn
Coupling nut material	CuZn/Ni
Gasket material	FKM
Electrical	
Operating voltage	63V (50V AC/60V DC)
Current rating	16 A
Environmental	
Enclosure type rating	IP67/IP69, NEMA 6P
Temperature rating	-40...+125 °C (-40...+257 °F)

Product Selection

Cordsets

No. of Pins	Wire Size [AWG]	Cat. No. ⁽¹⁾			
		Straight Female	Straight Male	Right Angle Female	Right Angle Male
5-pin	16	889L-F5JF-2	889L-M5JF-2	889L-R5JF-2	889L-E5JF-2

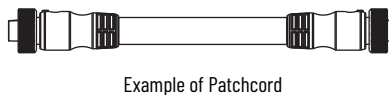
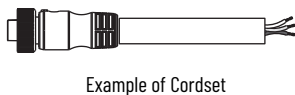
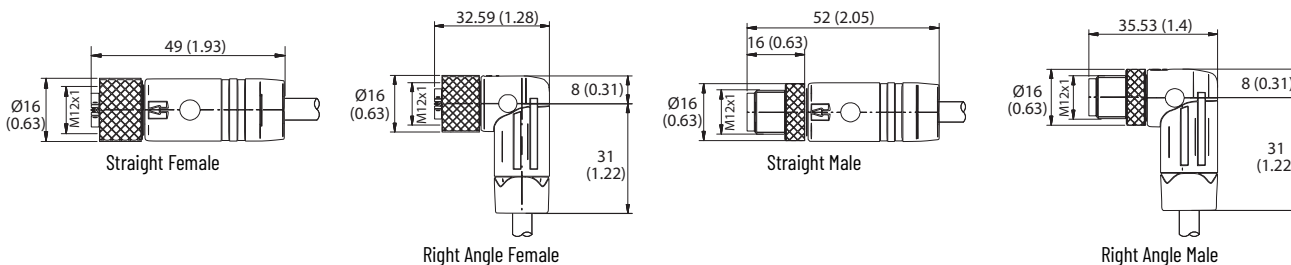
(1) The 2 at the end of the catalog number is for 2 m (6.6 ft) cable length. Replace the 2 with 1 (1 m [3.3 ft]), 3 (3 m [9.8 ft]), 4 (4 m [13.1 ft]), 5 (5 m [16.4 ft]), 6 (6 m [19.7 ft]), or 10 (10 m [32.8 ft]) for standard cable lengths.

Patchcords

No. of Pins	Wire Size [AWG]	Cat. No. ⁽¹⁾		
		Straight Female Straight Male	Straight Female Right Angle Male	Right Angle Female Straight Male
5-pin	16	889L-F5JFLM-2	889L-F5JFLE-2	889L-R5JFLM-2

(1) The 2 at the end of the catalog number is for 2 m (6.6 ft) cable length. Replace the 2 with 1 (1 m [3.3 ft]), 3 (3 m [9.8 ft]), 4 (4 m [13.1 ft]), 5 (5 m [16.4 ft]), 6 (6 m [19.7 ft]), or 10 (10 m [32.8 ft]) for standard cable lengths.

Approximate Dimensions [mm (in.)]



Pinout

Face View Pinout	
5-pin	
Female	Male
1 Brown (+24)	1 Brown (+24)
2 White (GND UL)	2 White (GND UL)
3 Blue (GND)	3 Blue (GND)
4 Black (+24 UL)	4 Black (+24 UL)
FE Gray	FE Gray

M12 Power (L-code) to Mini, 16 AWG, Black PUR



5-pin M12 L-code Patchcord

Specifications

Attribute	Value
Certifications	CE Marked and c-UL-us
Mechanical	
Molded body material/color	<ul style="list-style-type: none"> M12: TPU/black 7/8 in.: TPU/yellow
Contact carrier female material/color	<ul style="list-style-type: none"> M12: PBT GF/gray 7/8 in.: TPU/yellow
Contact material/plating	<ul style="list-style-type: none"> M12: CuNi/Au 7/8 in.: CuZn/CuAu
Shield sleeve material	CuZn (M12 only)
Coupling nut material	<ul style="list-style-type: none"> M12: CuZn/Ni 7/8 in.: Al/anodized black
Gasket material	FKM (M12 only)
Electrical	
Operating voltage	63V (50V AC/60V DC)
Current rating	8 A
Environmental	
Enclosure type rating	IP67, NEMA 6P
Temperature rating	-40...+90 °C (-40...+194 °F)

Product Selection

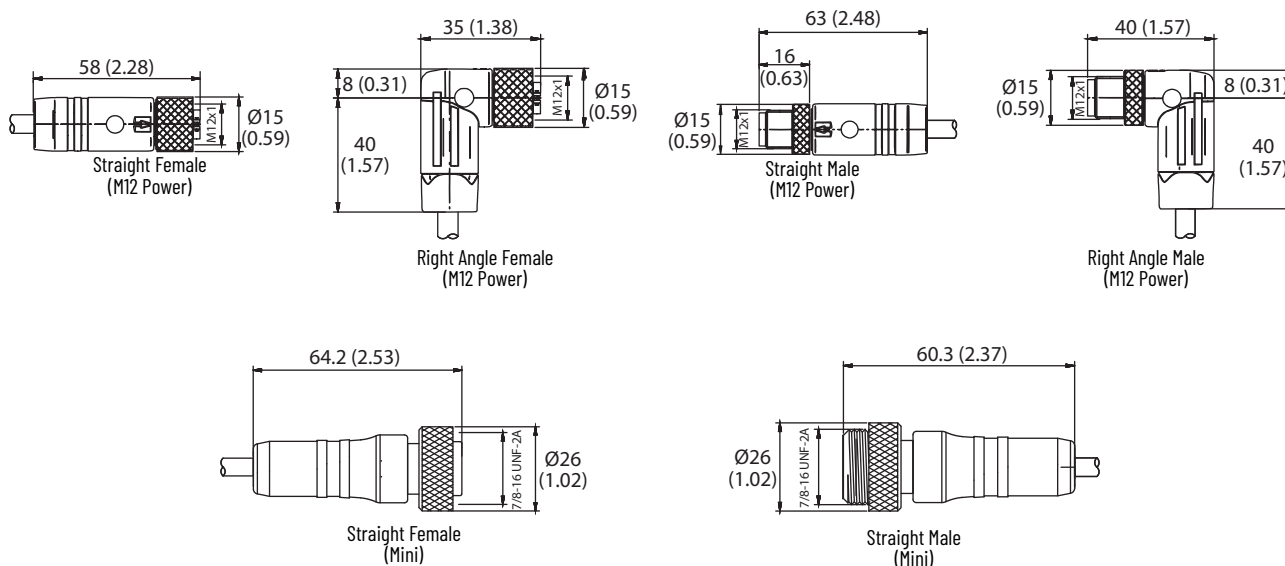
Patchcords

Style: Female to Male	Pinout ⁽¹⁾	Wire Size [AWG]	Cat. No. ⁽²⁾	
			Straight Female Straight Male	Right Angle Female Straight Male
M12 power (L-code) to 4-pin mini	A	16	889L-F5JFN4M-2	889L-R5JFN4M-2
Style: Male to Female	Pinout ⁽¹⁾	Wire Size [AWG]	Cat. No. ⁽²⁾	
			Straight Male Straight Female	Right Angle Male Straight Female
4-pin mini to M12 power (L-code)	B	16	889N-F4JFL5M-2	889N-F4JFL5E-2

(1) See [Pinout](#).

(2) The 2 at the end of the catalog number is for 2 m (6.6 ft) cable length. Replace the 2 with 1 (1 m [3.3 ft]), 3 (3 m [9.8 ft]), 4 (4 m [13.1 ft]), 5 (5 m [16.4 ft]), 6 (6 m [19.7 ft]), or 10 (10 m [32.8 ft]) for standard cable lengths.

Approximate Dimensions [mm (in.)]



Pinout

Face View Pinout			
A		B	
Male (Mini)	Female (M12 Power)	Male (M12 Power)	Female (Mini)
1 Black (+24UL) 2 Brown (+24) 3 Blue (GND) 4 White (GND UL)	1 Brown (+24) 2 White (GND UL) 3 Blue (GND) 4 Black (+24UL)	1 Brown (+24) 2 White (GND UL) 3 Blue (GND) 4 Black (+24UL)	1 Black (+24UL) 2 Brown (+24) 3 Blue (GND) 4 White (GND UL)

AC Micro Style, 18 AWG or 22 AWG, PVC



3-pin AC Micro Cordset

Specifications

Attribute	Value
Certifications	UL Recognized and CSA Certified
Mechanical	
Coupling nut material	Epoxy-coated zinc
Connector material	Molded oil-resistant polyurethane
Contact material	Gold over nickel-plated brass
Cable type	Oil-resistant yellow PVC jacket, 18 AWG or 22 AWG conductors, 300V
Bend radius	10x diameter
Cable diameter	<ul style="list-style-type: none"> • 3/c (22 AWG) = 6.7 mm (0.26 in.) • 3/c (18 AWG) = 6.7 mm (0.26 in.) • 4/c (18 AWG) = 6.7 mm (0.26 in.) • 4/c (22 AWG) = 6.7 mm (0.26 in.) • 5/c (18 AWG) = 7.5 mm (0.30 in.) • 6/c (22 AWG) = 6.7 mm (0.26 in.)
Braiding	Shield aluminum mylar stranding 26 x #36 (AWG) (Braided cable models only)
Electrical	
Cable rating	UL AWM style 2661 VW-1 105C 300V, CSA AWM A/B I/II 80C 300V FTI; UV-, oil-, and water-resistant
Assembly rating	250V, 4 A
Environmental	
Enclosure type rating	IP67, IP69K
Temperature rating	-20...+105 °C (-4...+221 °F)

Product Selection

Cordsets

No. of Pins	Assembly Rating	Color Code (1)	Cat. No. (2)			
			Straight Female	Right Angle Female	Straight Male	Right Angle Male
3-pin	Braided 22 AWG, 250V, 4 A	A	889R-F3ECA-2	889R-R3ECA-2	889R-M3ECA-2	889R-E3ECA-2
	18 AWG, 250V, 4 A		889R-F3AEA-2	889R-R3AEA-2	889R-M3AEA-2	889R-E3AEA-2
4-pin	Braided 22 AWG, 250V, 4 A		889R-F4ECA-2	889R-R4ECA-2	889R-M4ECA-2	889R-E4ECA-2
	18 AWG, 250V, 4 A		889R-F4AEA-2	889R-R4AEA-2	889R-M4AEA-2	889R-E4AEA-2
5-pin	Braided 22 AWG, 250V, 4 A		889R-F5ECA-2	889R-R5ECA-2	889R-M5ECA-2	889R-E5ECA-2
	18 AWG, 250V, 4 A		889R-F5AEA-2	889R-R5AEA-2	889R-M5AEA-2	889R-E5AEA-2
6-pin	Braided 22 AWG, 250V, 4 A		889R-F6ECA-2	889R-R6ECA-2	889R-M6ECA-2	889R-E6ECA-2

(1) See [Pinout and Color Code](#).

(2) The 2 at the end of the catalog number is for 2 m (6.6 ft) cable length. Replace the 2 with 5 (5 m [16.4 ft]) or 10 (10 m [32.8 ft]) for standard cable lengths.

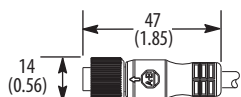
Patchcords

No. of Pins	Assembly Rating	Color Code (1)	Cat. No. (2)			
			Straight Female Straight Male	Straight Female Right Angle Male	Right Angle Female Straight Male	Right Angle Female Right Angle Male
3-pin	Braided 22 AWG, 250V, 4 A	A	889R-F3ECRM-2	889R-F3ECRE-2	889R-R3ECRM-2	889R-R3ECRE-2
	18 AWG, 250V, 4 A		889R-F3AERM-2	889R-F3AERE-2	889R-R3AERM-2	889R-R3AERE-2
4-pin	Braided 22 AWG, 250V, 4 A		889R-F4ECRM-2	889R-F4ECRE-2	889R-R4ECRM-2	889R-R4ECRE-2
	18 AWG, 250V, 4 A		889R-F4AERM-2	889R-F4AERE-2	889R-R4AERM-2	889R-R4AERE-2
5-pin	Braided 22 AWG, 250V, 4 A		889R-F5ECRM-2	889R-F5ECRE-2	889R-R5ECRM-2	889R-R5ECRE-2
	18 AWG, 250V, 4 A		889R-F5AERM-2	889R-F5AERE-2	889R-R5AERM-2	889R-R5AERE-2
6-pin	Braided 22 AWG, 250V, 4 A		889R-F6ECRM-2	889R-F6ECRE-2	889R-R6ECRM-2	889R-R6ECRE-2

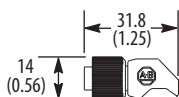
(1) See [Pinout and Color Code](#).

(2) The 2 at the end of the catalog number is for 2 m (6.6 ft) cable length. Replace the 2 with 5 (5 m [16.4 ft]) or 10 (10 m [32.8 ft]) for standard cable lengths.

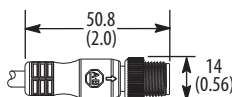
Approximate Dimensions



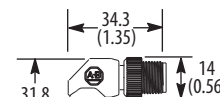
Straight Female



Right Angle Female



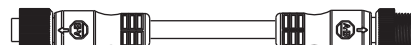
Straight Male



Right Angle Male



Example of Cordset



Example of Patchcord

Pinout and Color Code

Color Code	Face View Pinout							
	3-pin		4-pin		5-pin		6-pin	
	Female	Male	Female	Male	Female	Male	Female	Male
A	1 Green (GND) 2 Red/Black Tr. 3 Red/White Tr.	1 Red/Black Tr. 2 Red/White Tr.	3 Red 4 Green (GND)	1 Red/White Tr 2 Red 3 Green	4 Red/Yellow Tr. 5 Red/Black Tr.	1 Red/White Tr. 2 Red 3 Green	4 Red/Yellow Tr. 5 Red/Black Tr. 6 Red/Blue Tr.	

AC Micro Style, 18 AWG, ToughWeld



3-pin AC Micro Cordset

Specifications

Attribute	Value
Certifications	UL Recognized and CSA Certified
Mechanical	
Coupling nut material	Epoxy-coated zinc
Connector material	Molded oil-resistant polyurethane
Contact material	Gold over nickel-plated brass
Cable type	Oil-resistant yellow TPE jacket, 18 AWG stranded copper, cable voltage = 300V
Bend radius	10x diameter
Cable diameter	9 mm (0.35 in.)
Electrical	
Cable rating	UL -50C SJ00W 90C dry and 60C water-resistant, CSA -50C SJ00W 90C FT1
Assembly rating	250V, 3 A
Environmental	
Enclosure type rating	IP67, IP69K
Temperature rating	-50...+105 °C (-58...+221 °F)

Product Selection

Cordsets

No. of Pins	Assembly Rating	Material	Color Code ⁽¹⁾	Cat. No. ⁽²⁾			
				Straight Female	Right Angle Female	Straight Male	Right Angle Male
3-pin	18 AWG, 250V, 4 A	ToughWeld	A	889R-F3WEC-2	889R-R3WEC-2	889R-M3WEC-2	889R-E3WEC-2
4-pin	18 AWG, 250V, 4 A	ToughWeld	A	889R-F4WEC-2	889R-R4WEC-2	889R-M4WEC-2	889R-E4WEC-2
5-pin	18 AWG, 250V, 4 A	ToughWeld	A	889R-F5WEC-2	889R-R5WEC-2	889R-M5WEC-2	889R-E5WEC-2
3-pin	18 AWG, 250V, 4 A	ToughLink	A	889R-F3HEA-2	889R-R3HEA-2	889R-M3HEA-2	889R-E3HEA-2
4-pin	18 AWG, 250V, 4 A	ToughLink	A	889R-F4HEA-2	889R-R4HEA-2	889R-M4HEA-2	889R-E4HEA-2

(1) See [Pinout and Color Code](#).

(2) The 2 at the end of the cat. no. is for 2 m (6.6 ft) cable length. Replace the 2 with 5 (5 m [16.4 ft]) or 10 (10 m [32.8 ft]) for standard cable lengths.

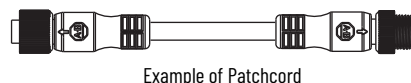
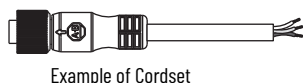
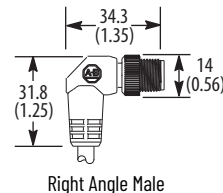
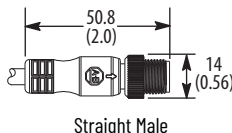
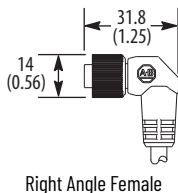
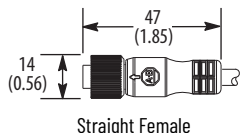
Patchcords

No. of Pins	Assembly Rating	Material	Color Code ⁽¹⁾	Cat. No. ⁽²⁾			
				Straight Female Straight Male	Straight Female Right Angle Male	Right Angle Female Straight Male	Right Angle Female Right Angle Male
3-pin	18 AWG, 250V, 4 A	ToughWeld	A	889R-F3WERM-3F	889R-F3WERE-3F	889R-R3WERM-3F	889R-R3WERE-3F
4-pin	18 AWG, 250V, 4 A	ToughWeld	A	889R-F4WERM-3F	889R-F4WERE-3F	889R-R4WERM-3F	889R-R4WERE-3F
5-pin	18 AWG, 250V, 4 A	ToughWeld	A	889R-F5WERM-3F	889R-F5WERE-3F	889R-R5WERM-3F	889R-R5WERE-3F
3-pin	18 AWG, 250V, 4 A	ToughLink	A	889R-F3HERM-3F	889R-F3HERE-3F	889R-R3HERM-3F	889R-R3HERE-3F
4-pin	18 AWG, 250V, 4 A	ToughLink	A	889R-F4HERM-3F	889R-F4HERE-3F	889R-R4HERM-3F	889R-R4HERE-3F

(1) See [Pinout and Color Code](#).

(2) The 2 at the end of the cat. no. is for 2 m (6.6 ft) cable length. Replace the 2 with 5 (5 m [16.4 ft]) or 10 (10 m [32.8 ft]) for standard cable lengths.

Approximate Dimensions [mm (in.)]



Pinout and Color Code

Color Code	Face View Pinout
	3-pin
A	<p>1 Green 2 Red/Black Tr. 3 Red/White Tr.</p>

AC Micro Style, 18 AWG, Yellow PUR and TPE (Flex-rated)



3-pin AC Micro Cordset

Specifications

Attribute	Value
Certifications	UL Recognized and CSA Certified
Mechanical	
Material	Molding oil-resistant PVC
Contact material	Gold over nickel-plated brass
Cable type	Unshielded Oil-, water-, and UV-resistant
Cable diameter [mm (in.)]	<ul style="list-style-type: none"> • 3/c TPE 6.0 (0.24) • 3/c PUR 6.6 (0.26) • 4/c TPE 6.6 (0.26) • 4/c PUR 6.6 (0.26) • 5/c TPE 7.7 (0.30) • 5/c PUR 7.7 (0.30)
Electrical	
Cable rating	UL AWM; UV-, oil-, and water-resistant, 18 AWG
Assembly rating	250V, 4 A
Environmental	
Enclosure type rating	IP67, IP69K

Product Selection

Cordsets

No. of Pins	Cable Rating	Temperature Rating	Jacket Material	Cat. No. ⁽¹⁾			
				Straight Female	Right Angle Female	Straight Male	Right Angle Male
3-pin	Flex rated to 5 million cycles	-20...+80 °C (-4...+105 °F)	Yellow PUR	889R-F3UEA-2	889R-R3UEA-2	889R-M3UEA-2	889R-E3ECA-2
	Flex rated to 10 million cycles	-50...+105 °C (-58...+221 °F)	Yellow TPE	889R-F3HJA-2	889R-R3HJA-2	889R-M3HJA-2	889R-E3AEA-2
4-pin	Flex rated to 5 million cycles	-20...+80 °C (-4...+105 °F)	Yellow PUR	889R-F4UEA-2	889R-R4UEA-2	889R-M4UEA-2	889R-E4ECA-2
	Flex rated to 10 million cycles	-50...+105 °C (-58...+221 °F)	Yellow TPE	889R-F4HJA-2	889R-R4HJA-2	889R-M4HJA-2	889R-E4AEA-2
5-pin	Flex rated to 5 million cycles	-20...+80 °C (-4...+105 °F)	Yellow PUR	889R-F5UEA-2	889R-R5UEA-2	889R-M5UEA-2	889R-E5ECA-2
	Flex rated to 10 million cycles	-50...+105 °C (-58...+221 °F)	Yellow TPE	889R-F5HJA-2	889R-R5HJA-2	889R-M5HJA-2	889R-E5AEA-2

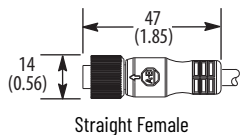
(1) The 2 at the end of the cat. no. is for 2 m (6.6 ft) cable length. Replace the 2 with 5 (5 m [16.4 ft]) or 10 (10 m [32.8 ft]) for standard cable lengths.

Patchcords

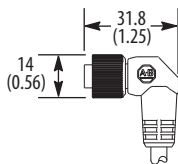
No. of Pins	Cable Rating	Temperature Rating	Jacket Material	Cat. No. ⁽¹⁾			
				Straight Female Straight Male	Straight Female Right Angle Male	Right Angle Female Straight Male	Right Angle Female Right Angle Male
3-pin	Flex rated to 5 million cycles	-20...+80 °C (-4...+176 °F)	Yellow PUR	889R-F3UERM-2	889R-R3UERE-2	889R-R3UERM-2	889R-R3UERE-2
	Flex rated to 10 million cycles	-50...+105 °C (-58...+221 °F)	Yellow TPE	889R-F3HJRM-2	889R-F3HJRE-2	889R-R3HJRM-2	889R-R3HJRE-2
4-pin	Flex rated to 5 million cycles	-20...+80 °C (-4...+176 °F)	Yellow PUR	889R-F4UERM-2	889R-F4UERE-2	889R-R4HJRM-2	889R-R4UERE-2
	Flex rated to 10 million cycles	-50...+105 °C (-58...+221 °F)	Yellow TPE	889R-F4HJRM-2	889R-F4HJRE-2	889R-R4HJRM-2	889R-R4HJRE-2
5-pin	Flex rated to 10 million cycles	-50...+105 °C (-58...+221 °F)	Yellow TPE	889R-F5UERM-2	889R-F5UERE-2	889R-R5HJRM-2	889R-R5UERE-2
	Flex rated to 5 million cycles	-20...+80 °C (-4...+176 °F)	Yellow PUR	889R-F5HJRM-2	889R-F5HJRE-2	889R-R5HJRM-2	889R-R5HJRE-2

(1) The 2 at the end of the cat. no. is for 2 m (6.6 ft) cable length. Replace the 2 with 0M3 (0.3 m [1 ft]), 1 (1 m [3.3 ft]), 3 (3 m [9.8 ft]), 5 (5 m [16.4 ft]), or 10 (10 m [32.8 ft]) for standard lengths.

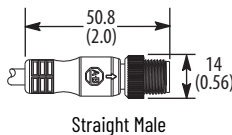
Approximate Dimensions [mm (in.)]



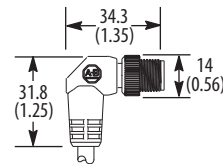
Straight Female



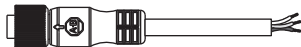
Right Angle Female



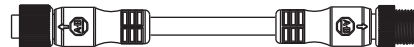
Straight Male



Right Angle Male



Example of Cordset



Example of Patchcord

Pinout and Color Code

Color Code	Face View Pinout							
	3-pin		4-pin		5-pin		6-pin	
	Female	Male	Female	Male	Female	Male	Female	Male
A	1 Green (GND) 2 Red/Black Tr. 3 Red/White Tr.	1 Red/Black Tr. 2 Red/White Tr.	3 Red 4 Green (GND)	1 Red/White Tr 2 Red 3 Green	4 Red/Yellow Tr. 5 Red/Black Tr.	1 Red/White Tr. 2 Red 3 Green	4 Red/Yellow Tr. 5 Red/Black Tr. 6 Red/Blue Tr.	

AC Micro Style, PLTC, 18 AWG and 22 AWG, Gray PVC



Pin AC Micro Cordset

Specifications

Attribute	Value
Certifications	UL Recognized and CSA Certified
Mechanical	
Coupling nut material	Epoxy-coated zinc
Housing material	Molded oil-resistant PVC
Contact material	Gold over nickel-plated brass
Cable type	Oil-resistant gray PVC jacket, 18 AWG or 22 AWG conductors, 300V UL Listed and CSA Certified
Bend radius	10x diameter
Electrical	
Cable rating	UL PLTC AWM Style 2661VW-1 105C 300V, CSA AWM A/B 1/11 80C 300V FT1; UV-, oil-, and water-resistant
Assembly rating	250V, 4 A
Environmental	
Enclosure type rating	IP67 and IP69K
Temperature rating	-20...+105 °C (-4...+221 °F)

Product Selection

Cordsets

No. of Pins	Jacket Material	Wire Size [AWG]	Cable diameter [mm (in.)]	Cat. No. ⁽¹⁾			
				Straight Female (Internal Threads)	Right Angle Female	Straight Male	Right Angle Male
3-pin	Gray PVC	18	6.7 (0.26)	889R-F3GEA-2	889R-R3GEA-2	889R-M3GEA-2	889R-E3GEA-2
4-pin	Gray PVC	18	6.7 (0.26)	889R-F4GEA-2	889R-R4GEA-2	889R-M4GEA-2	889R-E4GEA-2
5-pin	Gray PVC	18	7.6 (0.3)	889R-F5GEA-2	889R-R5GEA-2	889R-M5GEA-2	889R-E5GEA-2
6-pin	Gray PVC braided	22	6.7 (0.26)	889R-F6KCA-2	889R-R6KCA-2	889R-M6KCA-2	889R-E6KCA-2

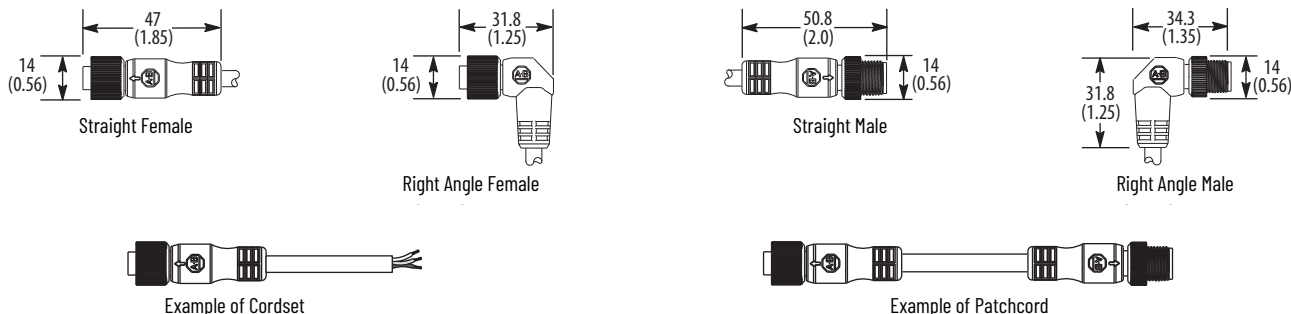
(1) The 2 at the end of the cat. no. is for 2 m (6.6 ft) cable length. Replace the 2 with 5 (5 m [16.4 ft]) or 10 (10 m [32.8 ft]) for standard cable lengths.

Patchcords

No. of Pins	Jacket Material	Wire Size [AWG]	Cable diameter [mm (in.)]	Cat. No. ⁽¹⁾			
				Straight Female Straight Male	Straight Female Right Angle Male	Right Angle Female Straight Male	Right Angle Female Right Angle Male
3-pin	Gray PVC	18	6.7 (0.26)	889R-F3GERM-2	889R-F3GERE-2	889R-R3GERM-2	889R-R3GERE-2
4-pin	Gray PVC	18	6.7 (0.26)	889R-F4GERM-2	889R-F4GERE-2	889R-R4GERM-2	889R-R4GERE-2
5-pin	Gray PVC	18	7.6 (0.3)	889R-F5GERM-2	889R-F5GERE-2	889R-R5GERM-2	889R-R5GERE-2
6-pin	Gray PVC braided	22	6.7 (0.26)	889R-F6KCRM-2	889R-F6KCRE-2	889R-R6KCRM-2	889R-R6KCRE-2

(1) The 2 at the end of the cat. no. is for 2 m (6.6 ft) cable length. Replace the 2 with 5 (5 m [16.4 ft]) or 10 (10 m [32.8 ft]) for standard cable lengths.

Approximate Dimensions [mm (in.)]



Pinout and Color Code

Color Code	Face View Pinout							
	3-pin		4-pin		5-pin		6-pin	
	Female	Male	Female	Male	Female	Male	Female	Male
A	1 Green (GND) 2 Red/Black Tr. 3 Red/White Tr.	1 Red/Black Tr. 2 Red/White Tr.	3 Red 4 Green (GND)	1 Red/White Tr 2 Red 3 Green	4 Red/Yellow Tr. 5 Red/Black Tr.	1 Red/White Tr. 2 Red 3 Green	4 Red/Yellow Tr. 5 Red/Black Tr. 6 Red/Blue Tr.	

AC Micro Style, 20 AWG, Coil Cable, PVC



3-pin AC Micro Cordset

Specifications

Attribute	Value
Certifications	UL Recognized and CSA Certified
Mechanical	
Coupling nut material	Epoxy-coated zinc
Connector material	Molded oil-resistant PVC
Contact material	Gold over nickel-plated brass
Cable type	Oil-resistant yellow PVC jacket, 20 AWG stranded copper, 300V, UL Recognized and CSA Certified
Cable diameter [mm (in.)]	7.1 (0.28)
Electrical	
Cable rating	300V, UL style 20197, CSA AWM 1/11 A/B
Assembly rating	250V, 4 A
Environmental	
Enclosure type rating	IP67
Temperature rating	-20...+105 °C (-4...+221 °F)

Product Selection

Cordsets

No. of Pins	Assembly Rating	Color Code ⁽¹⁾	Length [m (ft)]	Cat. No. ⁽²⁾
				Straight Female
4-Pin	20 AWG 250V 4 A	A	1.5 (5)	889R-F4AD-C5F
		B		889R-F4ADA-C5F

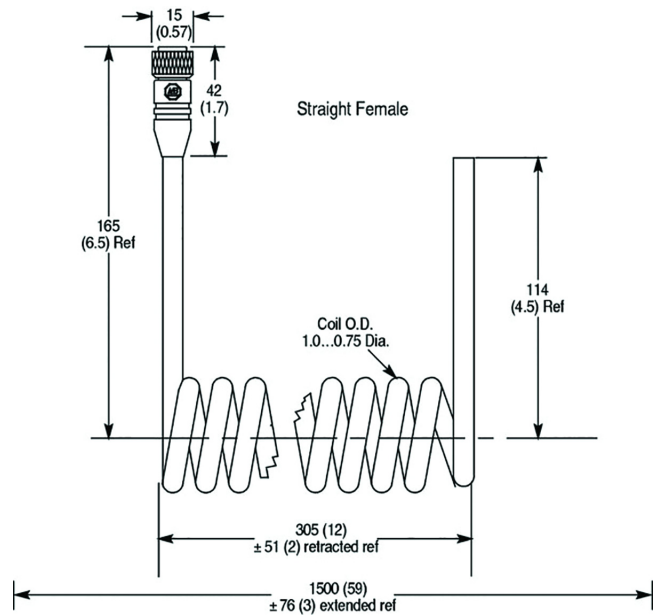
(1) See [Pinout and Color Code](#).

(2) The 2 at the end of the cat. no. is for 2 m (6.6 ft) cable length. Replace the 2 with 5 (5 m [16.4 ft]) or 10 (10 m [32.8 ft]) for standard cable lengths.

Pinout and Color Code

Color Code	Face View Pinout	
	4-pin	
	Female	Male
A	1 Black 2 Blue	3 Brown 4 White
B	1 Red/Black Tr. 2 Red/White Tr.	3 Red 4 Green (GND)

Approximate Dimensions [mm (in.)]



AC Micro Style, 18 AWG and 22 AWG, Yellow PVC



3-pin AC Micro

Specifications

Attribute	Value
Certifications	UL Recognized and CSA Certified
Electrical	
Coupling nut material	Epoxy-coated zinc
Connector material	Molded oil-resistant PVC
Contact material	Gold over nickel-plated brass
Cable rating	Unshielded, oil-, water-, and UV-resistant, AWM, 18 AWG
Assembly rating	250V, 4 A
Environmental	
Enclosure type rating	IP67
Temperature rating	-20...+105 °C (-4...+221 °F)

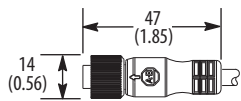
Product Selection

No. of Pins	Connector Style	Color Code (1)	Wire Size [AWG]	Cat. No. (2)			
				Straight Female Straight Male	Straight Female Right Angle Male	Right Angle Female Straight Male	Right Angle Female Right Angle Male
3-pin	3-pin Mini Female to 3-pin AC Micro Male	B-A	18	889N-F3AERM-2	889N-F3AERE-2	889N-R3AERM-2	889N-R3AERE-2
	3-pin AC Micro Female to 3-pin Mini Male	A-B	18	889R-F3AENM-2	889R-F3AENE-2	889R-R3AENM-2	889R-R3AENE-2
	3-pin AC Micro Female to 4-pin DC Micro Male	A-C	18	889R-F3AEDM-2	889R-F3AEDE-2	889R-R3AEDM-2	889R-R3AEDE-2
	3-pin AC Micro Female to 4-pin DC Micro Male	C-A	22	889R-F3ACDM-2	889R-F3ACDE-2	889R-R3ACDM-2	889R-R3ACDE-2

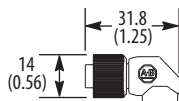
(1) See [Pinout and Color Code](#).

(2) The 2 at the end of the cat. no. is for 2 m (6.6 ft) cable length. Replace the 2 with 5 (5 m [16.4 ft]) or 10 (10 m [32.8 ft]) for standard cable lengths.

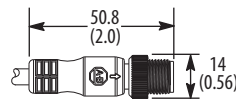
Approximate Dimensions [mm (in.)]



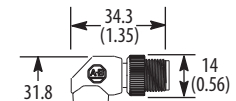
Straight Female



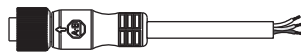
Right Angle Female



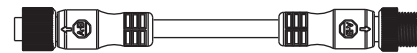
Straight Male



Right Angle Male



Example of Cordset



Example of Patchcord

Pinout and Color Code

Face View Pinout			
No. of Pins	3-pin	3-pin	4-pin
Face View Pinout			
Color Code	A	B	C
	1 Green 2 Red/Black Tr. 3 Red/White Tr.	1 Green 2 Black 3 White	1 Brown 2 - 3 Blue 4 Black

AC Micro Style, Splitters, MDSA Module Wiring



Splitter, AC Micro

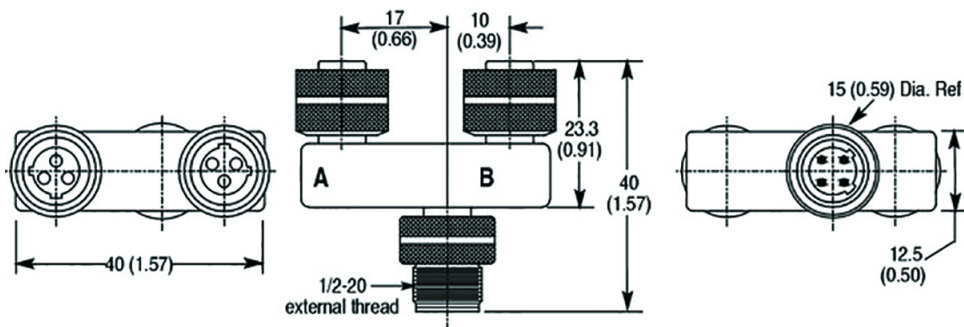
Specifications

Attribute	Value
Certifications	UL Recognized and CSA Certified
Mechanical	
Material	Black PUR
Connector insert material	PUR
Receptacle shell material	Nickel-plated brass
Contact material	Brass, gold over nickel plating
O-ring Material	Viton
Electrical	
Assembly rating	300V, 3 A
Environmental	
Enclosure type rating	IP67, NEMA 6P
Operating temperature	-30...+105 °C (-22...+221 °F)

Product Selection

Type	Wiring Diagram	Assembly Rating	Cat. No.
Standard wiring		300V, 3 A	898R-33PYX-R3

Approximate Dimensions [mm (in.)]



Pinout

Face View Pinout		
No. of Pins	3-pin	4-pin
Face View Pinout		

AC Micro Style Receptacles – 18 AWG and 22 AWG, 1/2 and 1/4 NPT Mounting Threads



AC Micro Male Receptacle

Specifications

Attribute	Value
Certifications	UL Recognized and CSA Certified
Mechanical	
Receptacle shell material	Brass with nickel
Connector insert material	Nylon
Contact material	Gold-plated brass
Wire insulation	Oil-resistant PVC, 22 AWG stranded copper, 300V, UL Recognized and CSA Certified
Electrical	
Assembly rating	250V, 4 A
Environmental	
Enclosure type rating	NEMA 1, 3, 4, 6P, and IEC IP67, IP68, IP69K
Operating temperature	-40...+10 °C (-22...+221 °F)

Mating Components and Accessories

Description	Cat. No. ⁽¹⁾
1/2-inch 14 NPT mounting nut	889A-U1NUT-10
1/2-inch 14 NPT flat sealing washer	889A-U1FSL-10

(1) Sold in bags of 10.

Product Selection

22 AWG Receptacles

No. of Pins	Assembly Rating	Color Code ⁽¹⁾	Panel Mount Threads	Dimension Drawing ⁽¹⁾	Cat. No. ⁽²⁾	
					Female	Male
3-pin	250V, 4 A	A	1/2 inch-14 NPT	A	888R-F3AC1-1F	888R-M3AC1-1F
			1/4 inch-18 NPT	B	888R-F3AC2-1F	888R-M3AC2-1F
4-pin			1/2 inch-14 NPT	A	888R-F4AC1-1F	888R-M4AC1-1F
			1/4 inch-18 NPT	B	888R-F4AC2-1F	888R-M4AC2-1F
5-pin			1/2 inch-14 NPT	A	888R-F5AC1-1F	888R-M5AC1-1F
			1/4 inch-18 NPT	B	888R-F5AC2-1F	888R-M5AC2-1F
6-pin			1/2 inch-14 NPT	A	888R-F6AC1-1F	888R-M6AC1-1F
Mounting nuts for 1/2 inch-14 NPT threaded receptacles are available in bags of 10 pieces					889A-U1NUT-10	
Flat, sealing washers for 1/2 inch-14 NPT threaded receptacles are available in bags of 10 pieces					889A-U1FSL-10	

(1) See [Approximate Dimensions \[mm \(in.\)\]](#) and [Pinout and Color Code on page 91](#).

(2) The 1F at the end of the cat. no. is for 1 ft (0.3 m) cable length. Replace the 1F with 3F (3 ft [0.9 m]) for standard lengths.

18 AWG Receptacles

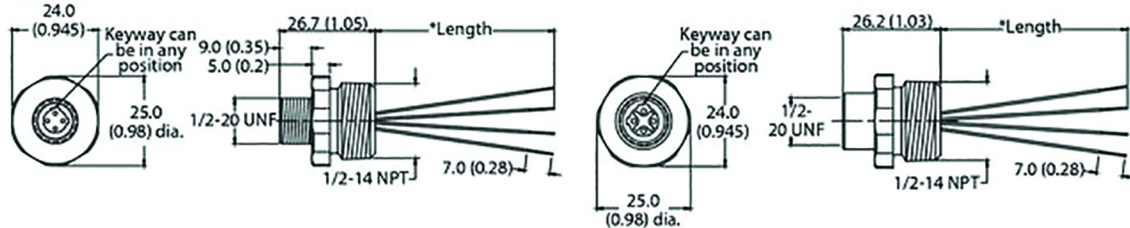
No. of Pins	Assembly Rating	Color Code ⁽¹⁾	Panel Mount Threads	Dimension Drawing ⁽¹⁾	Cat. No. ⁽²⁾	
					Female	Male
3-pin	250V, 4 A	A	1/2 inch-14 NPT	A	888R-F3AE1-1F	888R-M3AE1-1F
			1/4 inch-18 NPT	B	888R-F3AE2-1F	888R-M3AE2-1F
4-pin			1/2 inch-14 NPT	A	888R-F4AE1-1F	888R-M4AE1-1F
			1/4 inch-18 NPT	B	888R-F4AE2-1F	888R-M4AE2-1F
5-pin			1/2 inch-14 NPT	A	888R-F5AE1-1F	888R-M5AE1-1F
			1/4 inch-18 NPT	B	888R-F5AE2-1F	888R-M5AE2-1F
Mounting nuts for 1/2 inch-14 NPT threaded receptacles are available in bags of 10 pieces					889A-U1NUT-10	
Flat, sealing washers for 1/2 inch-14 NPT threaded receptacles are available in bags of 10 pieces					889A-U1FSL-10	

(1) See [Approximate Dimensions \[mm \(in.\)\]](#) and [Pinout and Color Code on page 91](#).

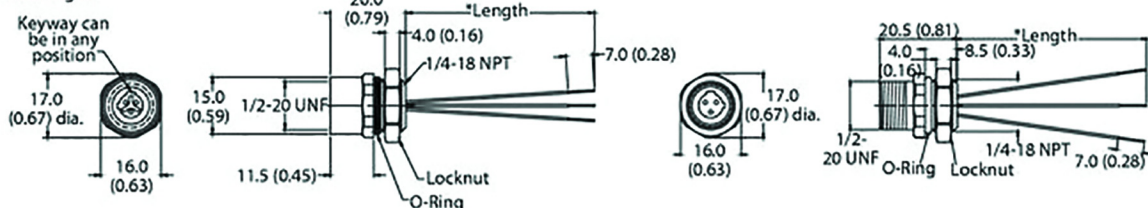
(2) The 1F at the end of the cat. no. is for 1 ft (0.3 m) cable length. Replace the 1F with 3F (3 ft [0.9 m]) for standard lengths.

Approximate Dimensions [mm (in.)]

Drawing A



Drawing B



Pinout and Color Code

Color Code	Face View Pinout							
	3-pin		4-pin		5-pin		6-pin	
	Female	Male	Female	Male	Female	Male	Female	Male
A	1 Green 2 Red/Black Tr. 3 Red/White Tr.	1 Red/Black Tr. 2 Red/White Tr.	3 Red 4 Green (GND)	1 Red/White Tr 2 Red 3 Green (GND)	4 Red/Yellow Tr. 5 Red/Black Tr.	1 Red/White Tr. 2 Red 3 Green	4 Red/Yellow Tr. 5 Red/Black Tr. 6 Red/Blue Tr.	

AC Micro Style, Terminal Chambers, Screw-type Field Attachable Connectors



AC Micro Male Receptacle

Specifications

Attribute	Value
Mechanical	
Coupling nut material	Nickel-plated brass
Connector insert material	Nylon
Contact material	Gold-plated palladium/nickel
Wire size, max	18 mm (0.75 in. ²)
Environmental	
Enclosure type rating	IP67 (IEC 529); NEMA 6P
Operating temperature	-40...+90 °C (-40...+194 °F)

Product Selection

Terminal Chambers

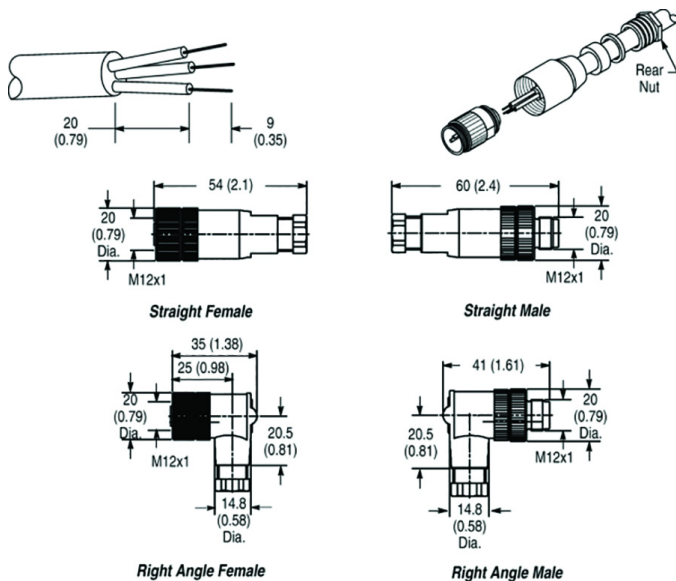
Connector Style	Cable Jacket Diameter	Wire Size	Cat. No.	
			Female	Male
Straight	4.0...6.0 (0.16...0.23)	18 (0.75 mm ²)	871A-TS3-R	871A-TS3-RM
Right angle			871A-TR3-R	871A-TR3-RM
Straight	6.0...8.0 (0.23...0.31)	18 (0.75 mm ²)	871A-TS3-R1	871A-TS3-RM1
Right angle			871A-TR3-R1	871A-TR3-RM1

IMPORTANT Stainless steel coupling nuts are available. Add an S to the catalog number, for example, 871AS-TS3-R.

Pinout and Color Code

Color Code	Face View Pinout	
	3-pin	
	Female	Male
A	1 Green 2 Red/Black Tr 3 Red/White Tr	

Approximate Dimensions [mm (in.)]



EAC Micro Style, 22 AWG, Yellow PVC



4-pin EAC Micro Cordset

Specifications

Attribute	Value
Certifications	UL Recognized and CSA Certified
Mechanical	
Coupling nut material	Epoxy-coated zinc
Connector material	Molded oil-resistant polyurethane body
Contact material	Gold over nickel-plated brass
Cable type	Yellow oil-resistant PVC jacket, 22 AWG conductors, 300V, UL Recognized and CSA Certified
Cable diameter	5 mm (0.21 in.)
Electrical	
Cable rating	300V
Assembly rating	300V, 3 A
Environmental	
Enclosure type rating	IP67
Temperature rating	-40...+90 °C (-40...+194 °F)

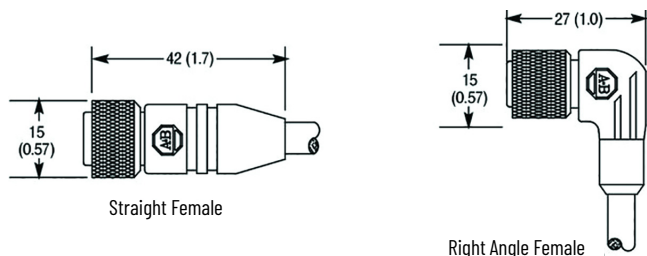
Product Selection

No. of Pins	Wire Size [AWG]	Color Code ⁽¹⁾	Cat. No. ⁽²⁾	
			Straight Female	Right Angle Female
3-pin	22 AWG 300V 3 A	A	889B-F3AC-2	889B-R3AC-2
4-pin		B	889B-F4AC-2	889B-R4AC-2

(1) See [Pinout and Color Code](#).

(2) The 2 at the end of the catalog number is for 2 m (6.6 ft) cable length. Replace the 2 with 5 (5 m [16.4 ft]) or 10 (10 m [32.8 ft]) for standard cable lengths.

Approximate Dimensions [mm (in.)]



Pinout and Color Code

Color Code	Face View Pinout
	4-pin Female
A	1 Brown 2 Blue 3 — 4 Green/Yellow
B	1 Brown 2 Blue 3 Black 4 Green/Yellow

EAC Micro Style Receptacles, 22 AWG, M14 Mounting Threads



EAC Micro Male Receptacle

Specifications

Attribute	Value
Certifications	UL Recognized and CSA Certified
Mechanical	
Receptacle shell material	Black anodized machined aluminum
Connector insert material	Nylon
Contact material	Machined brass with gold over nickel plating
Electrical	
Assembly rating	300V, 3 A
Environmental	
Enclosure type rating	IP67
Operating temperature	-20...+105 °C (-4...+221 °F)

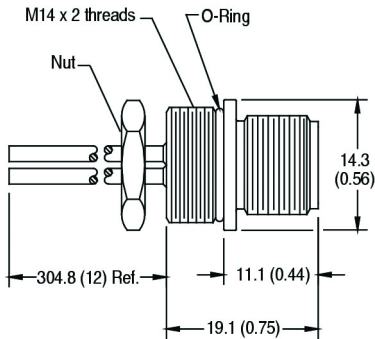
Product Selection

No. of Pins	Assembly Rating	Color Code ⁽¹⁾	Panel Mount Threads	Length [m (ft)]	Cat. No. ⁽²⁾
4-Pin	22 AWG 300V 3 A	A	M14 x 1	0.3 (1)	888B-M3AC6-OM3
		B			888B-M4AC6-OM3

(1) See [Pinout and Color Code](#).

(2) The 2 at the end of the cat. no. is for 2 m (6.6 ft) cable length. Replace the 2 with 5 (5 m [16.4 ft]) or 10 (10 m [32.8 ft]) for standard cable lengths.

Approximate Dimensions [mm (in.)]



Pinout and Color Code

Color Code	Face View Pinout	
	4-Pin Male	
A	1 Brown 2 Blue	3 — 4 Green/Yellow
B	1 Brown 2 Blue	3 Black 4 Green/Yellow

Pico, 24 AWG, Yellow PVC or PUR, Screw-on, LED and Non-LED



Pico Screw-On Style

Specifications

Attribute	Value
Certifications	UL Recognized and CSA Certified
Mechanical	
Coupling nut material	Nickel-plated brass
Connector material	Molded oil-resistant PUR
Contact material	Gold over nickel-plated brass
Cable type	Oil-resistant yellow PVC or PUR jacket, 24 AWG conductors, 300V, UL Recognized, CSA Certified
Cable diameter [mm (in.)]	<ul style="list-style-type: none"> 3/c = 4.6 (0.18) 4/c = 4.6 (0.18)
Electrical	
Cable rating	<ul style="list-style-type: none"> PVC: UL CM AWM style 2661 VW-1 105C 300V, CSA AWM A/B I/II 105C 300V FT1 PUR: UL AWM style 20233 or 20549 80C 300V
Assembly rating	<ul style="list-style-type: none"> Non-LED: 60V AC/75V DC, 4 A LED: 10...30V DC, 4 A
Environmental	
Enclosure type rating	<ul style="list-style-type: none"> Screw-type: IP67 Snap-on type: IP65
Temperature rating	<ul style="list-style-type: none"> PVC and TPE models: -20...+105 °C (-4...+221 °F) PUR models: -20...+80 °C (-4...+176 °F)

Product Selection

Screw-on Cordsets

No. of Pins	Jacket Material	Assembly Rating	Color Code ⁽¹⁾	LED Type	Cat. No. ⁽²⁾				
					Straight Female	Right Angle Female	Straight Male	Right Angle Male	
3-pin	Yellow PVC	24 AWG 60V AC/ 75V DC 4 A	A	-	889P-F3AB-2	889P-R3AB-2	889P-M3AB-2	889P-E3AB-2	
	Yellow PUR				889P-F3UB-2	889P-R3UB-2	-	-	
3-pin LED	Yellow PVC	24 AWG 10...30V DC/4 A		PNP	-	889P-P3AB-2	-	-	
	Yellow PUR				-	889P-P3UB-2	-	-	
	Yellow PVC			NPN	-	889P-N3AB-2	-	-	
	Yellow PUR				-	889P-N3UB-2	-	-	
4-pin	Yellow PVC	24 AWG 60V AC/ 75V DC 4 A		-	-	889P-F4AB-2	889P-R4AB-2	889P-M4AB-2	889P-E4AB-2
	Yellow PUR				889P-F4UB-2	889P-R4UB-2	889P-M4UB-2	889P-E4UB-2	

(1) See [Pinout and Color Code on page 96](#).

(2) The 2 at the end of the cat. no. is for 2 m (6.6 ft) cable length. Replace the 2 with 5 (5 m [16.4 ft]) or 10 (10 m [32.8 ft]) for standard cable lengths.

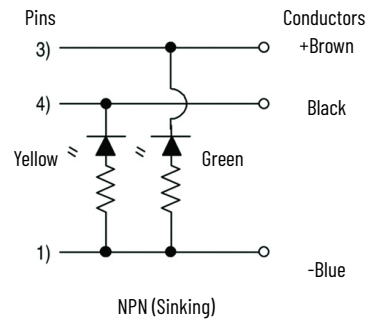
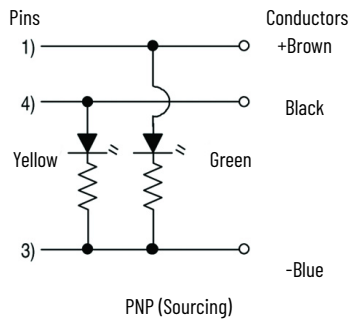
Screw-on Patchcords

No. of Pins	Jacket Material	Assembly Rating	Color Code ⁽¹⁾	Cat. No. ⁽²⁾			
				Straight Female Straight Male	Straight Female Right Angle Male	Right Angle Female Straight Male	Right Angle Female Right Angle Male
3-pin	Yellow PVC	24 AWG 60V AC/75V DC 4 A	A	889P-F3ABPM-2	889P-F3ABPE-2	889P-R3ABPM-2	889P-R3ABPE-2
4-pin Female to 3-pin Male				889P-F3UBPM-2	-	889P-R3UBPM-2	-
				889P-F4ABP3M-2	889P-F4ABP3E-2	889P-R4ABP3M-2	889P-R4ABP3E-2
4-pin				889P-F4UBPM3-2	-	-	-
				889P-F4ABPM-2	-	-	-
				889P-F4UBPM-2	-	889P-R4UBPM-2	-

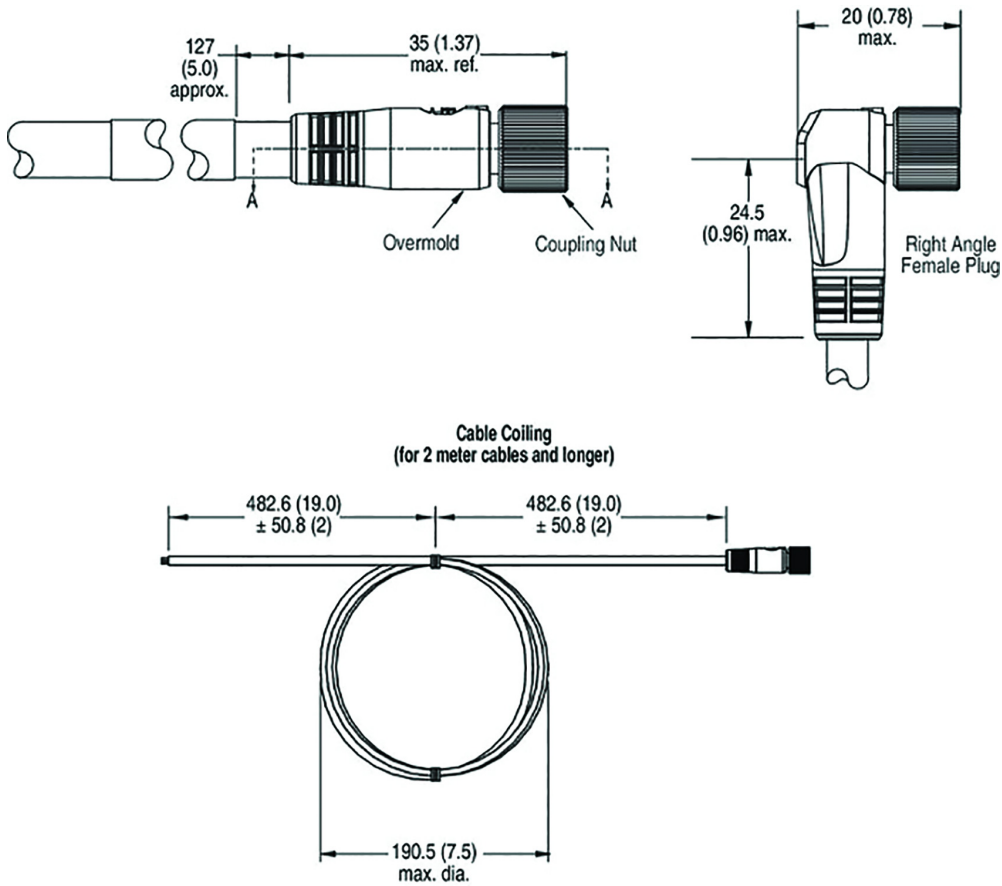
(1) See [Pinout and Color Code on page 96](#).

(2) The 2 at the end of the cat. no. is for 2 m (6.6 ft) cable length. Replace the 2 with 1 (1 m [3.3 ft]), 3 (3 m [9.8 ft]), 5 (5 m [16.4 ft]), or 10 (10 m [32.8 ft]) for standard lengths.

Typical Wiring Diagrams



Approximate Dimensions [mm (in.)]



Pinout and Color Code

Color Code	Face View Pinout			
	3-pin		4-pin	
	Female	Male	Female	Male
A	1 Brown 2 -	3 Blue 4 Black	1 Brown 2 White	3 Blue 4 Black

Pico QD, 24 AWG, Yellow and Black PVC, TPE, PUR Screw-on



Pico Screw-On Style

Specifications

Attribute	Value
Certifications	UL Recognized and CSA Certified
Mechanical	
Coupling nut material	Nickel-plated brass
Connector material	Molded oil-resistant PUR
Contact material	Gold over nickel-plated brass
Cable type	Oil-resistant yellow PVC or PUR jacket, 24 AWG conductors, 300V, UL Recognized, CSA Certified
Cable diameter [mm (in.)]	<ul style="list-style-type: none"> • 3/c = 4.6 (0.18) • 4/c = 4.6 (0.18)
Electrical	
Cable rating	<ul style="list-style-type: none"> • PVC: CM UL AWM style 2661 VW-1 105C 300V, CSA AWM A/B I/II 105C 300V FT1 • PUR: UL AWM style 20233 or 20549 80C 300V
Assembly rating	<ul style="list-style-type: none"> • Non-LED: 60V AC/75V DC, 4 A • LED: 10...30V DC, 4 A
Environmental	
Enclosure type rating	<ul style="list-style-type: none"> • Screw-type: IP67 • Snap-on type: IP65
Temperature rating	<ul style="list-style-type: none"> • PVC and TPE models: -20...+105 °C (-4...+221 °F) • PUR models: -20...+80 °C (-4...+176 °F)

Product Selection

Screw-on Cordsets

No. of Pins	Jacket Material	Color Code ⁽¹⁾	Cat. No. ⁽²⁾			
			Straight Female	Right Angle Female	Straight Male	Right Angle Male
3-pin	Yellow PVC	A	889P-F3AB-2	889P-R3AB-2	889P-M3AB-2	889P-E3AB-2
4-pin	Yellow PVC	A	889P-F4AB-2	889P-R4AB-2	889P-M4AB-2	889P-E4AB-2

(1) See [Pinout and Color Code on page 99](#).

(2) The 2 at the end of the cat. no. is for 2 m (6.6 ft) cable length. Replace the 2 with 5 (5 m [16.4 ft]) or 10 (10 m [32.8 ft]) for standard cable lengths.

Change AB to:	For:
BB	Black PVC cable
FB	Yellow PVC/foil shield and drain
UB	Yellow PUR, flex cable
JB	Black halogen-free PUR
HB	Yellow TPE flex

Screw-on Patchcords

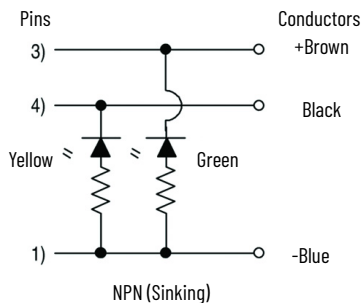
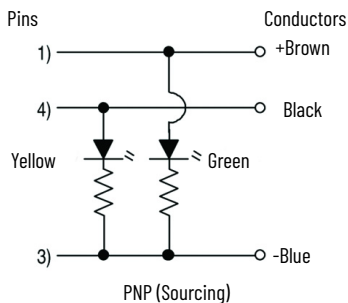
No. of Pins	Jacket Material	Color Code ⁽¹⁾	Cat. No. ⁽²⁾			
			Straight Female to Straight Male	Straight Female to Right Angle Male	Right Angle Female to Straight Male	Right Angle Female to Right Angle Male
Male: Pico (3-pin) Female: Pico (3-pin)	Yellow PVC	A	889P-F3ABPM-2	889P-F3ABPE-2	889P-R3ABPM-2	889P-R3ABPE-2
Male: Pico (3-pin) Female: Pico (4-pin)			889P-F4ABP3M-2	889P-F4ABP3E-2	889P-R4ABP3M-2	889P-R4ABPE3-2
Male: Pico (3-pin) Female: Micro (4-pin)			889D-F4ABP3M-2	889D-F4ABP3E-2	889D-R4ABP3M-2	889D-R4ABP3E-2
Male: Pico (3-pin) Female: Micro (4-pin)			889D-F4ABP3M-V2	889D-F4ABP3E-2	889D-R4ABP3M-V2	889D-R4ABP3E-V2
Male: Micro (4-pin) Female: Pico (3-pin)			889P-F3ABD4M-2	889P-F3ABD4E-2	889P-R3ABD4M-2	889P-R3ABD4E-2
Male: Pico (4-pin) Female: Pico (4-pin)		B	889P-F4ABPE-2	889P-F4ABPE-2	889P-R4ABPM-2	889P-R4ABPE-2
Male: Pico (4-pin) Female: Micro (4-pin)			889D-F4ABPM-2	889D-F4ABPE-2	889D-R4ABPM-2	889D-R4ABPE-2
Male: Micro (4-pin) Female: Pico (4-pin)			889P-F4ABDM-2	889P-F4ABDE-2	889P-R4ABDM-2	889P-R4ABDE-2
Male: Micro (4-pin) Female: Pico (4-pin)			889P-F4ABDE-V2	889P-F4ABDE-V2	889P-R4ABDM-V2	889P-R4ABDE-V2

(1) See [Pinout and Color Code on page 99](#).

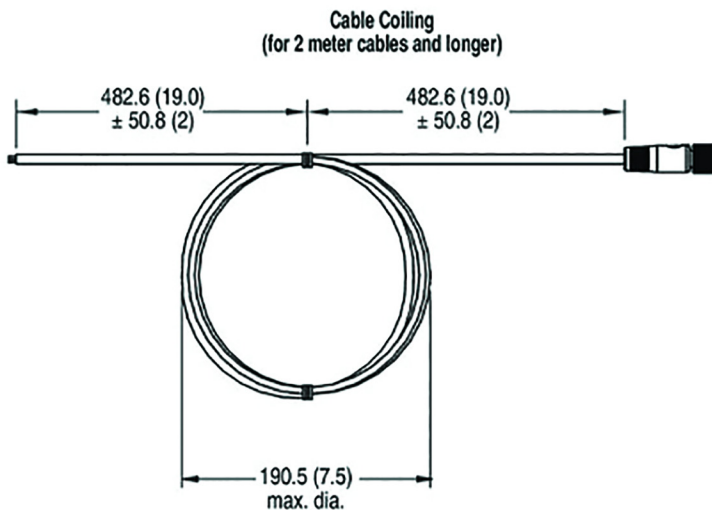
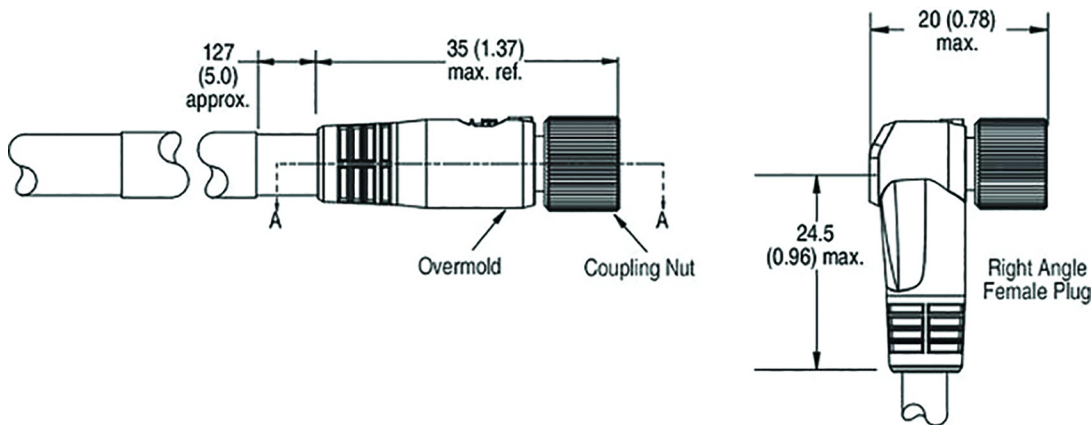
(2) The 2 at the end of the cat. no. is for 2 m (6.6 ft) cable length. Replace the 2 with 5 (5 m [16.4 ft]) or 10 (10 m [32.8 ft]) for standard cable lengths.

Change AB to:	For:
BB	Black PVC cable
UB	Yellow PUR, flex cable
JB	Black halogen-free PUR
HB	Yellow TPE flex

Typical Wiring Diagrams



Approximate Dimensions [mm (in.)]



Pinout and Color Code

Color Code	Face View Pinout	
	3-pin	4-pin
1 Brown 2 — 3 Blue 4 Black	—	
B	—	1 Brown 2 White 3 Blue 4 Black

Pico QD 24 AWG, Yellow and Black PUR, PVC, TPE Snap-on



Pico Snap-on Style

Specifications

Attribute	Value
Certifications	UL Recognized and CSA Certified
Mechanical	
Coupling nut material	Nickel-plated brass
Connector material	Molded oil-resistant PUR
Contact material	Gold over nickel-plated brass
Cable type	Oil-resistant yellow PVC or PUR jacket, 24 AWG conductors, 300V, UL Recognized, CSA Certified
Cable diameter [mm (in.)]	<ul style="list-style-type: none"> • 3/c = 4.6 (0.18) • 4/c = 4.6 (0.18)
Electrical	
Cable rating	<ul style="list-style-type: none"> • PVC: UL CM AWM style 2661 VW-1 105C 300V, CSA AWM A/B I/II 105C 300V FT1 • PUR: UL AWM style 20233 or 20549 80C 300V
Assembly rating	<ul style="list-style-type: none"> • Non-LED: 60V AC/75V DC, 4 A • LED: 10...30V DC, 4 A
Environmental	
Enclosure type rating	<ul style="list-style-type: none"> • Screw-type: IP67 • Snap-on type: IP65
Temperature rating	<ul style="list-style-type: none"> • PVC and TPE models: -20...+105 °C (-4...+221 °F) • PUR models: -20...+80 °C (-4...+176 °F)

Product Selection

Cordsets

No. of Pins	Jacket Material	Assembly Rating	Color Code ⁽¹⁾	LED Type	Cat. No. ⁽²⁾	
					Straight Female	Right Angle Female
3-pin	Yellow PVC	24 AWG 60V AC/75V DC 4 A	A	-	889P-S3AB-2	889P-Z3AB-2
	Yellow PUR				889P-S3UB-2	889P-Z3UB-2
3-pin LED	Yellow PVC	24 AWG 10...30V DC 4 A		PNP	-	889P-W3AB-2
	Yellow PUR				-	889P-W3UB-2
	Yellow PVC			NPN	-	889P-Y3AB-2
	Yellow PUR				-	889P-Y3UB-2
4-Pin	Yellow PVC	24 AWG 60V AC/75V DC 4 A		-	889P-S4AB-2	889P-Z4AB-2
	Yellow PUR				889P-S4UB-2	889P-Z4UB-2

(1) See [Pinout and Color Code on page 102](#).

(2) The 2 at the end of the cat. no. is for 2 m (6.6 ft) cable length. Replace the 2 with 5 (5 m [16.4 ft]) or 10 (10 m [32.8 ft]) for standard cable lengths.

Change AB to:	For:
BB	Black PVC cable
FB	Yellow PVC/foil shield and drain
UB	Yellow PUR, flex cable
JB	Black halogen-free PUR
HB	Yellow TPE flex

Patchcords

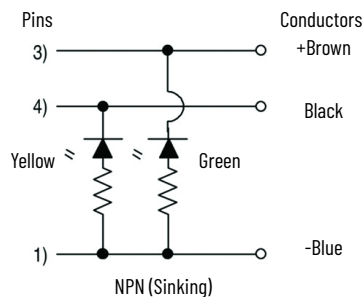
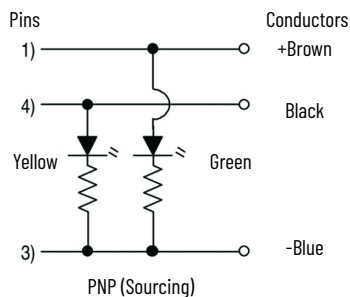
No. of Pins	Jacket Material	Color Code ⁽¹⁾	Cat. No. ⁽²⁾			
			Straight Female to Straight Male	Straight Female to Right Angle Male	Right Angle Female to Straight Male	Right Angle Female to Right Angle Male
Male: Pico (3-pin) Female: Pico (3-pin)	Yellow PVC	A	889P-S3ABPG-2	889P-S3ABPH-2	889P-Z3ABPG-2	889P-Z3ABPH-2
Male: Pico (3-pin) Female: Pico (4-pin)	Yellow PVC	A	889P-S4ABP3G-2	889P-S4ABP3H-2	889P-Z4ABP3G-2	889P-Z4ABP3H-2
Male: Pico (4-pin) Female: Pico (4-pin)	Yellow PVC	A	889P-S4ABPG-2	889P-S4ABPH-2	889P-Z4ABPG-2	889P-Z4ABPH-2

(1) See [Pinout and Color Code on page 102](#).

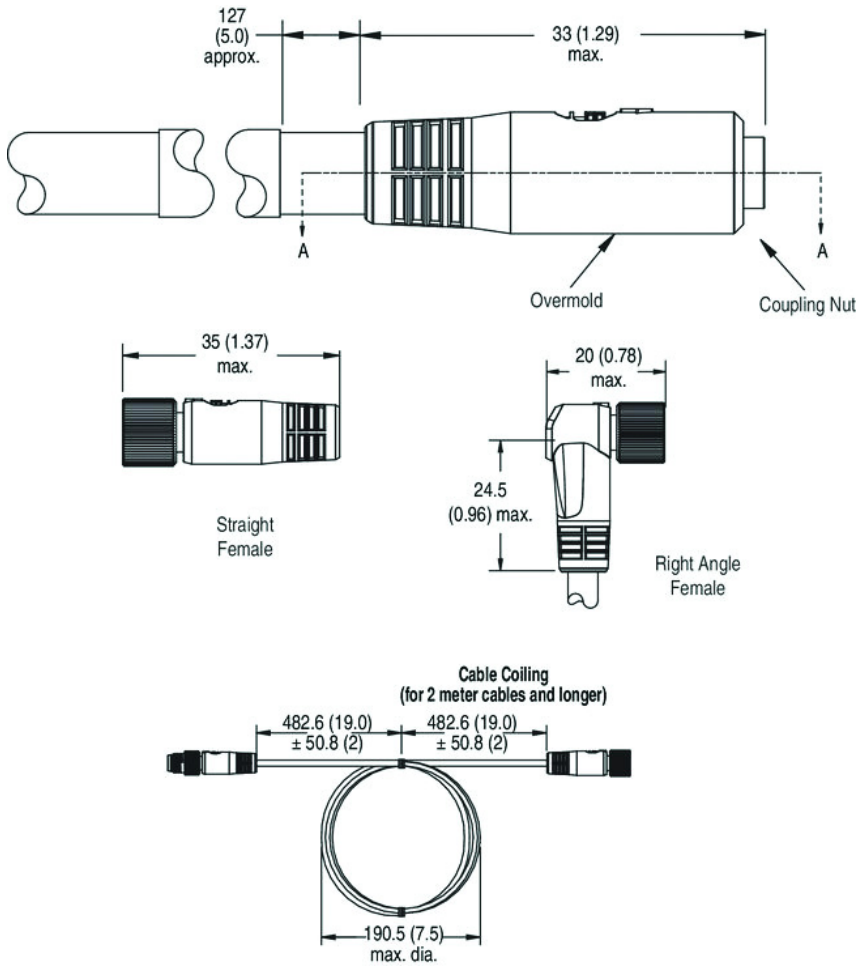
(2) The 2 at the end of the cat. no. is for 2 m (6.6 ft) cable length. Replace the 2 with 5 (5 m [16.4 ft]) or 10 (10 m [32.8 ft]) for standard cable lengths.

Change AB to:	For:
BB	Black PVC cable
UB	Yellow PUR, flex cable
JB	Black halogen-free PUR
HB	Yellow TPE flex

Typical Wiring Diagrams



Approximate Dimensions [mm (in.)]



Pinout and Color Code

Color Code	Face View Pinout			
	3-pin		4-pin	
	Female	Male	Female	Male
A	1 Brown 2 —	3 Blue 4 Black	1 Brown 2 White	3 Blue 4 Black

Pico QD 24 AWG, Pico LED and Pico to Micro LED, PUR, PVC, TPE



Pico Screw-on Style

Specifications

Attribute	Value
Certifications	UL Recognized and CSA Certified
Mechanical	
Coupling nut material	Nickel-plated brass
Connector material	Molded, oil-resistant, PUR
Contact material	Gold-plated brass
Cable type	Oil-, water-, and UV-resistant, 24 AWG conductors, 300V, 4 A, AWM
Cable diameter [mm (in.)]	<ul style="list-style-type: none"> 3/c = 4.6 (0.18) 4/c = 4.6 (0.18)
Electrical	
Cable rating	<ul style="list-style-type: none"> PVC: UL CM AWM style 2661 VW-1 105 °C 300V, CSA AWM A/B I/ II 105 °C 300V FT1 PUR: UL AWM style 20233, 21198 or 10493 80 °C 300V FT2 TPE: UL AWM style 20327 VW-1 105 °C 300V FT1
Assembly rating	<ul style="list-style-type: none"> Non-LED: 60V AC/75V DC, 4 A LED: 10...30V DC, 4 A
Environmental	
Enclosure type rating	<ul style="list-style-type: none"> Screw-type: IP67 Snap-on type: IP65
Temperature rating	<ul style="list-style-type: none"> PVC and TPE models: -20...+105 °C (-4...+221 °F) PUR models: -20...+80 °C (-4...+176 °F)

Product Selection

Screw-on Cordsets

No. of Pins	Jacket Material	Color Code ⁽¹⁾	LED Type	Cat. No. ⁽²⁾	
				Straight Female	Right Angle Female
3-pin	Yellow PVC	A	PNP	889P-B3AB-2	889P-P3AB-2
			NPN	889P-A3AB-2	889P-N3AB-2

(1) See [Pinout and Color Code on page 104](#).

(2) The 2 at the end of the cat. no. is for 2 m (6.6 ft) cable length. Replace the 2 with 5 (5 m [16.4 ft]) or 10 (10 m [32.8 ft]) for standard cable lengths.

Change AB to:	For:
BB	Black PVC cable
FB	Yellow PVC, shielded cable
UB	Yellow PUR cable

Change AB to:	For:
JB	Black PUR cable
HB	TPE/ToughLink cable

Screw-On Patchcords

Female Connector	Male Connector	Jacket Material	Color Code ⁽¹⁾	Output	Cat. No. ⁽²⁾			
					Straight Female to Straight Male	Straight Female to Right Angle Male	Right Angle Female to Straight Male	Right Angle Female to Right Angle Male
3-pin Pico	3-pin Pico	Yellow PVC	A	PNP	889P-B3ABPM-2	889P-B3ABPE-2	889P-P3ABPM-2	889P-P3ABPE-2
				NPN	889P-A3ABPM-2	889P-A3ABPE-2	889P-N3ABPM-2	889P-N3ABPE-2
	4-pin Micro			PNP	889P-B3ABD4M-2	889P-B3ABD4E-2	889P-P3ABD4M-2	889P-P3ABD4E-2
				NPN	889P-A3ABD4M-2	889P-A3ABD4E-2	889P-N3ABD4M-2	889P-N3ABD4E-2
	5-pin Micro	Yellow PVC, Shielded		PNP	889P-B3FBD5M-J2	889P-B3FBD5E-J2	889P-P3FBD5M-J2	889P-P3FBD5E-J2
				NPN	889P-A3FBD5M-J2	889P-A3FBD5E-J2	889P-N3FBD5M-J2	889P-N3FBD5E-J2

(1) See [Pinout and Color Code on page 104](#).

(2) The 2 at the end of the cat. no. is for 2 m (6.6 ft) cable length. Replace the 2 with 5 (5 m [16.4 ft]) or 10 (10 m [32.8 ft]) for standard cable lengths.

Change AB to:	For:
BB	Black PVC cable
UB	Yellow PUR, flex cable

Change AB to:	For:
JB	Black PUR cable
HB	Yellow TPE/ToughLink cable

Snap-On Cordsets

No. of Pins	Jacket Material	Color Code ⁽¹⁾	LED Type	Cat. No. ⁽²⁾	
				Straight Female	Right Angle Female
3-pin	Yellow PUR	A	PNP	889P-K3UB-2	889P-W3UB-2
			NPN	889P-J3UB-2	889P-Y3UB-2
	Black PUR		PNP	889P-K3JB-2	889P-W3JB-2
			NPN	889P-J3JB-2	889P-Y3JB-2

(1) See [Pinout and Color Code](#).

(2) The 2 at the end of the cat. no. is for 2 m (6.6 ft) cable length. Replace the 2 with 5 (5 m [16.4 ft]) or 10 (10 m [32.8 ft]) for standard cable lengths.

Snap-on Patchcords

Female Connector	Male Connector	Jacket Material	Color Code ⁽¹⁾	Output	Cat. No. ^{(2) (3)}			
					Straight Female to Straight Male	Straight Female to Right Angle Male	Right Angle Female to Straight Male	Right Angle Female to Right Angle Male
3-pin Pico	4-pin Micro	Yellow PUR	A	PNP	889P-K3UBPM-2	889P-K3UBPE-2	889P-W3UBPM-2	889P-W3UBPE-2
				NPN	889P-J3UBPM-2	889P-J3UBPE-2	889P-Y3UBPM-2	889P-Y3UBPE-2
				PNP	889P-K3UBD4M-2	889P-K3UBD4E-2	889P-W3UBD4M-2	889P-W3UBD4E-2
				NPN	889P-Y3UBD4M-2	889P-J3UBD4E-2	889P-Y3UBD4M-2	889P-Y3UBD4E-2
		Black PUR		PNP	889P-K3JBPM-2	889P-K3JBPE-2	889P-W3JBPM-2	889P-W3JBPE-2
				NPN	889P-J3JBPM-2	889P-J3JBPE-2	889P-Y3JBPM-2	889P-Y3JBPE-2
				PNP	889P-K3JBD4M-2	889P-K3JBD4E-2	889P-W3JBD4M-2	889P-W3JBD4E-2
				NPN	889P-J3JBD4M-2	889P-J3JBD4E-2	889P-Y3JBD4M-2	889P-Y3JBD4E-2

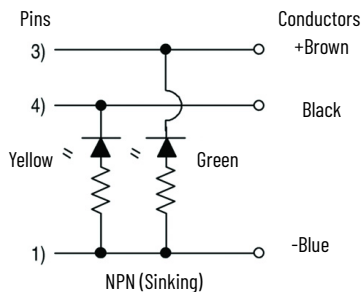
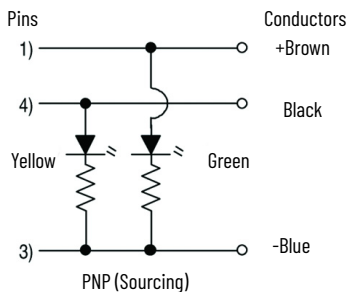
(1) See [Pinout and Color Code](#).

(2) The 2 at the end of the cat. no. is for 2 m (6.6 ft) cable length. Replace the 2 with 5 (5 m [16.4 ft]) or 10 (10 m [32.8 ft]) for standard cable lengths.

(3) Stainless steel models are available by adding S to the cat. no., for example, 889PS-P#ABDM-2.

Nickel-plated brass models are available by adding N to the cat. no., for example, 889PN-P3ABDM-2.

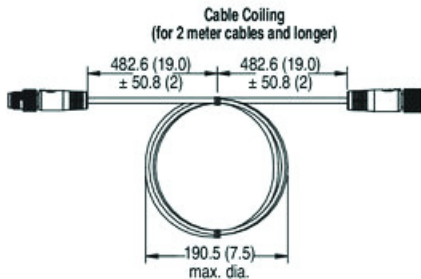
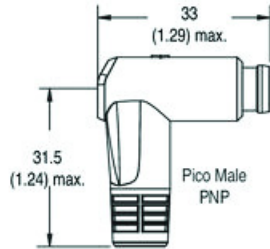
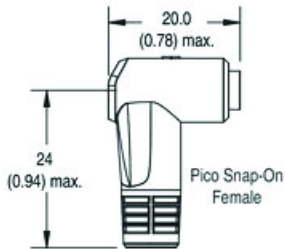
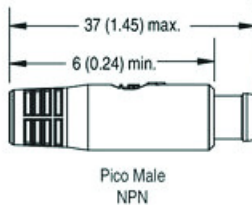
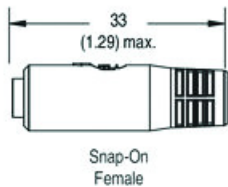
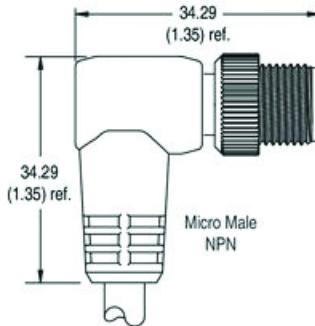
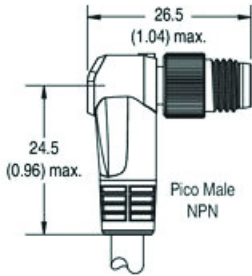
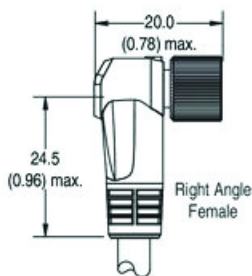
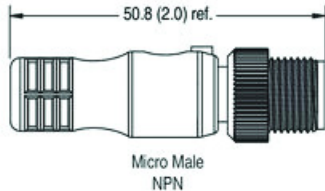
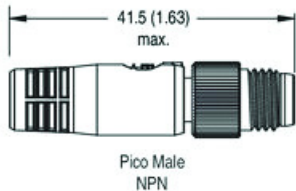
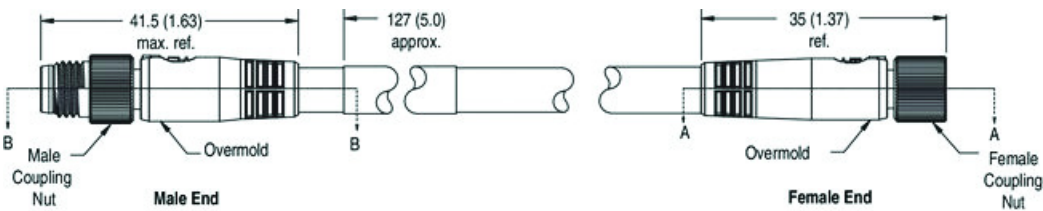
Typical Wiring Diagrams



Pinout and Color Code

Color Code	Face View Pinout			
	3-pin		4-pin	
	Female	Male	Female	Male
A	1 Brown 2 —	3 Blue 4 Black	1 Brown 2 White	3 Blue 4 Black

Approximate Dimensions [mm (in.)]



Patchcords, 24 AWG, Pico to DC Micro, PVC



DC Micro to Pico Patchcord

Specifications

Attribute	Value
Certifications	UL Recognized and CSA Certified
Mechanical	
Coupling nut material	<ul style="list-style-type: none"> DC Micro: Black epoxy-coated zinc Pico: Nickel-plated brass
Connector material	<ul style="list-style-type: none"> DC Micro: Molded oil-resistant PUR Pico: Molded oil-resistant TPE
Contact material	Gold over nickel-plated brass
Cable type	Oil-resistant yellow PVC jacket, 24 AWG conductors, 300V, UL Recognized and CSA Certified
Cable diameter [mm (in.)]	<ul style="list-style-type: none"> 3/c = 4.6 (0.18) 4/c = 4.6 (0.18)
Electrical	
Cable rating	UL CM AWM style 2661 VW-1 105C 300V, CSA AWM A/B I/II 105C 300V FT1
Assembly rating	60V AC/75V DC, 4 A
Environmental	
Enclosure type rating	<ul style="list-style-type: none"> Screw-type: IP67 Snap-on type: IP65
Temperature rating	<ul style="list-style-type: none"> PVC and TPE models: -20...+105 °C (-4...+221 °F) PUR models: -20...+80 °C (-4...+176 °F)

Product Selection

Snap-on Female, Screw-on Male Patchcords

Style: Female to Male	Pinout ⁽¹⁾	Cat. No. ⁽²⁾			
		Straight Female	Right Angle Female	Straight Male	Right Angle Male
Male: Pico (3-pin) Female: Pico (3-pin)	A	889P-S3ABPM-2	889P-S3ABPE-2	889P-Z3ABPM-2	889P-Z3ABPE-2
Male: Pico (3-pin) Female: Pico (4-pin)	A	889P-S4ABP3M-2	889P-S4ABP3E-2	889P-Z4ABP3M-2	889P-Z4ABP3E-2
Male: Micro (4-pin) Female: Pico (3-pin)	A	889P-S3ABD4M-2	889P-S3ABD4E-2	889P-Z3ABD4M-2	889P-Z3ABD4E-2
Male: Pico (4-pin) Female: Pico (4-pin)	B	889P-S4ABPM-2	889P-S4ABPE-2	889P-Z4ABPM-2	889P-Z4ABPE-2
Male: Micro (4-pin) Female: Pico (4-pin)	B	889P-S4ABDM-2	889P-S4ABDE-2	889P-Z4ABDM-2	889P-Z4ABDE-2
Male: Micro (4-pin) Female: Pico (4-pin)	B	889P-S4ABDM-V2	889P-S4ABDE-V2	889P-Z4ABDM-V2	889P-Z4ABDE-V2

(1) See [Pinout on page 107](#).

(2) The 2 at the end of the cat. no. is for 2 m (6.6 ft) cable length. Replace the 2 with 1 (1 m [3.3 ft]), 5 (5 m [16.4 ft]), or 10 (10 m [32.8 ft]) for standard lengths.

Change AB to:	For:
AB	Yellow PVC cable
BB	Black PVC cable
UB	Yellow PUR, flex cable
JB	Black halogen-free PUR cable
HB	Yellow TPE flex cable

Screw-On Patchcords

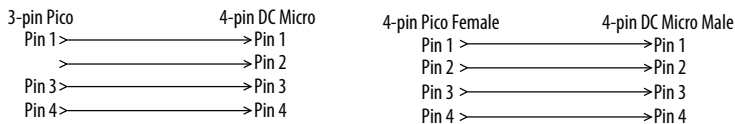
Style: Female to Male	Pinout ⁽¹⁾	Cat. No. ⁽²⁾			
		Straight Female Straight Male	Straight Female Right Angle Male	Right Angle Female Straight Male	Right Angle Female Right Angle Male
3-pin Pico to 4-pin Micro	A	889P-F3ABD4M-2	889P-F3ABD4E-2	889P-R3ABD4M-2	889P-R3ABD4E-2
4-Pin Pico to 4-pin Micro	B	889P-F4ABDM-2	889P-F4ABDE-2	—	—
4-Pin Micro to 3-pin Pico	C	889D-F4ABP3M-2	889D-F4ABP3E-2	889D-R4ABP3M-2	889D-R4ABP3E-2
Male: Pico (3-pin) Female: Pico (3-pin)	A	889P-F3ABPG-2	889P-F3ABPH-2	889P-R3ABPG-2	889P-R3ABPH-2
Male: Pico (3-pin) Female: Pico (4-pin)	B	889P-F4ABP3G-2	889P-F4ABP3H-2	889P-R4ABP3G-2	889P-R4ABP3H-2
Male: Micro (4-pin) Female: Pico (3-pin)	C	889D-F4ABP3G-2	889D-F4ABP3H-2	889D-R4ABP3G-2	889D-R4ABP3H-2
Male: Pico (3-pin) Female: Pico (4-pin)	A	889P-F4ABP3G-2	889D-F4ABP3H-V2	889D-R4ABP3G-V2	889D-R4ABP3H-V2
Male: Micro (4-pin) Female: Pico (4-pin)	B	889P-F4ABPG-2	889P-F4ABPH-2	889P-R4ABPG-2	889P-R4ABPH-2
Male: Micro (4-pin) Female: Pico (4-pin)	C	889D-F4ABPG-2	889D-F4ABPH-2	889D-R4ABPG-2	889D-R4ABPH-2

(1) See [Pinout](#).

(2) The 2 at the end of the cat. no. is for 2 m (6.6 ft) cable length. Replace the 2 with 1 (1 m [3.3 ft]), 5 (5 m [16.4 ft]), or 10 (10 m [32.8 ft]) for standard lengths.

Change AB to:	For:
AB	Yellow PVC cable
BB	Black PVC cable
UB	Yellow PUR, flex cable
JB	Black halogen-free PUR cable
HB	Yellow TPE flex cable

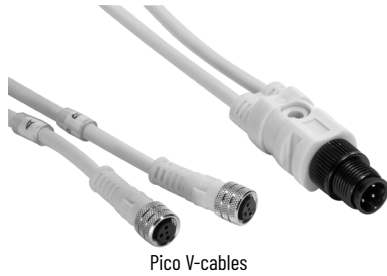
Typical Wiring Diagrams



Pinout

Pinout	Face View Pinout					
	A		B		C	
	Female	Male	Female	Male	Female	Male
	3-pin Pico female to 4-pin DC Micro male		4-pin Pico female to 4-pin DC Micro male		4-pin DC Micro female to 3-pin Pico male	

V-cables, 24 AWG, Pico to DC Micro, PVC or PUR, LED and Non-LED



Specifications

Attribute	Value
Certifications	UL Recognized and CSA Certified
Mechanical	
Coupling nut material	<ul style="list-style-type: none"> Pico: Nickel-plated brass DC Micro: Epoxy-coated zinc
Connector material	Molded TPE
Contact material	Gold over nickel-plated brass
Cable type	Oil-resistant yellow PVC jacket, 24 AWG conductors, 300V, UL Recognized, CSA Certified
Bend radius	10 x diameter
Cable diameter [mm (in.)]	<ul style="list-style-type: none"> 3/c = 4.3 (0.17) 4/c = 4.6 (0.18)
Electrical	
Cable rating	UL CM AWM style 2661 VW-1 105C 300V, CSA AWM A/B I/II 105C 300V FT1
Assembly rating	<ul style="list-style-type: none"> Non-LED: 60V AC/75V DC, 4 A LED: 10...30V DC, 4 A
Environmental	
Enclosure type rating	IP67
Temperature rating	<ul style="list-style-type: none"> PVC models: -20...+105 °C (-4...+221 °F) PUR models: -20...+80 °C (-4...+176 °F)

Pinout

Pinout	Face View Pinout					
	A		B		C	
	Female	Female	Male	Female	Female	Male
	3-pin Pico female to 4-pin DC Micro male			4-pin Pico female to 4-pin DC Micro male		

Product Selection

Screw-On V-Cables

Female Connector	Jacket Material	Male Connector	LED Type	Pinout ⁽¹⁾	Cat. No. ⁽²⁾	
					Straight Female Connector	Right Angle Female Connector
3-pin Pico	Yellow PVC	4-Pin DC Micro	—	A	879P-F3ABD4M-2	879P-R3ABD4M-2
	PUR		—		879P-F3UBD4M-2	879P-R3UBD4M-2
4-pin Pico	Yellow PVC		—	B	879P-F4ABDM-2	—
3-pin Pico LED	PVC		PNP	A	—	879P-P3ABD4M-2
	PVC		NPN		—	879P-N3ABD4M-2
	PUR		PNP		—	879P-P3UBD4M-2
	PUR	NPN	—		879P-N3UBD4M-2	

(1) See [Pinout on page 108](#).

(2) The 2 at the end of the cat. no. is for 2 m (6.6 ft) cable length. Replace the 2 with 0M3 (0.3 m [1 ft]), 1 (1 m [3.3 ft]), 5 (5 m [16.4 ft]), or 10 (10 m [32.8 ft]) for standard lengths.

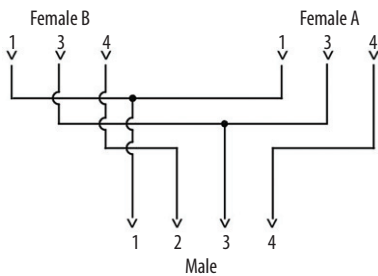
Snap-On Female, Screw-On Male V-Cables

No. of Pins	Wire Size [AWG]	Jacket Material	LED Type	Cat. No. ⁽¹⁾
3-pin	24	Yellow PVC	—	879P-S3UBD4M-2
			—	879P-Z3UBD4M-2
			PNP	879P-K3UBD4M-2
			PNP	879P-W3UBD4M-2
			NPN	879P-J3UBD4M-2
			NPN	879P-Y3UBD4M-2
4-pin			—	879P-S4UBDM-2
			—	879P-Z4UBDM-2

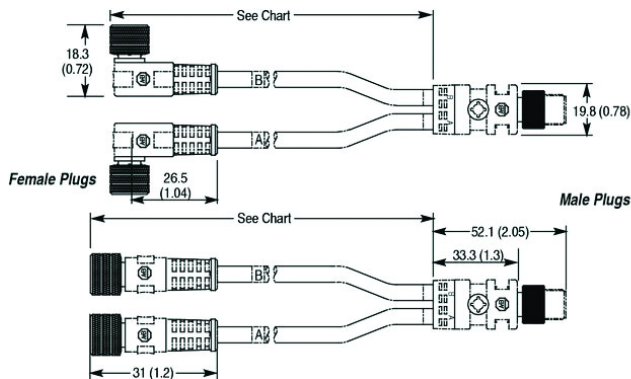
(1) The 2 at the end of the cat. no. is for 2 m (6.6 ft) cable length. Replace the 2 with 0M3 (0.3 m [1 ft]), 1 (1 m [3.3 ft]), 5 (5 m [16.4 ft]), or 10 (10 m [32.8 ft]) for standard lengths.

Change UB to:	For:
JB	24 AWG black halogen-free PUR cable

Typical Wiring Diagrams



Approximate Dimensions [mm (in.)]



Splitters, Pico Style Pico to Pico, DC Micro to Pico



Splitter

Specifications

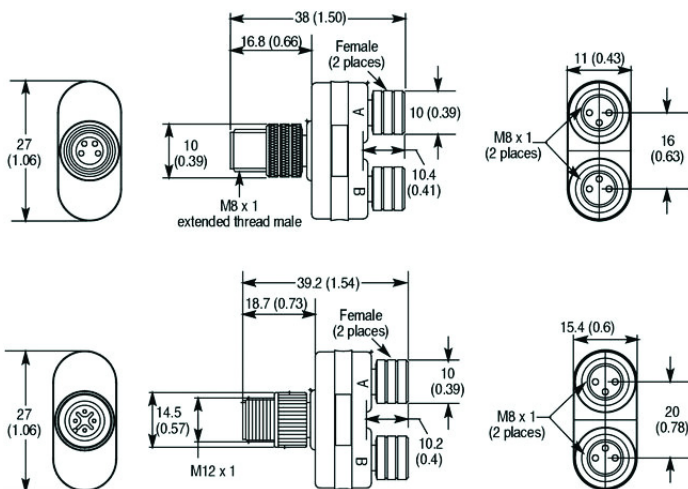
Attribute	Value
Certifications	UL Recognized and CSA Certified
Mechanical	
Material	Black PUR
Connector insert material	PUR
Receptacle shell material	Nickel-plated brass
Contact material	Gold-plated palladium/nickel
O-ring material	Viton
Electrical	
Assembly rating	60V AC/75V DC, 4 A
Environmental	
Enclosure type rating	IP67; NEMA 6P
Operating temperature	-0...+85 °C (-32...+185 °F)

Product Selection

Connector Style	Wiring Diagram	Assembly Rating	Pinout ⁽¹⁾	Cat. No.
Standard wiring Pico to Pico		60V AC/75V DC, 4 A	A	898P-32YY-PM4
Standard wiring Pico to DC Micro			B	898P-32YY-DM4

(1) See [Pinout](#).

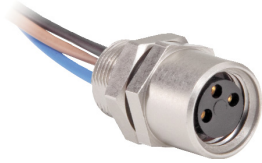
Approximate Dimensions [mm (in.)]



Pinout

Pinout	Face View Pinout					
	A		B		C	
	Female	Female	Male	Female	Female	Male
	3-pin Pico female to 4-pin Pico male			3-pin Pico female to 4-pin DC Micro male		

Receptacles, Pico Style 24 AWG, M8 Mounting Threads



Pico Receptacles

Specifications

Attribute	Value
Certifications	UL Recognized and CSA Certified
Mechanical	
Receptacle shell material	Nickel-plated brass
Connector insert material	Nylon
Contact material	Gold over nickel-plated brass
Electrical	
Assembly rating	125V AC/DC, 4.0 A
Environmental	
Enclosure type rating	NEMA 1, 3, 4, 6P and IEC IP67, IP68, IP69K
Operating temperature	-40...+105 °C (-22...+221 °F)
O-ring material	Nitrile rubber or Viton

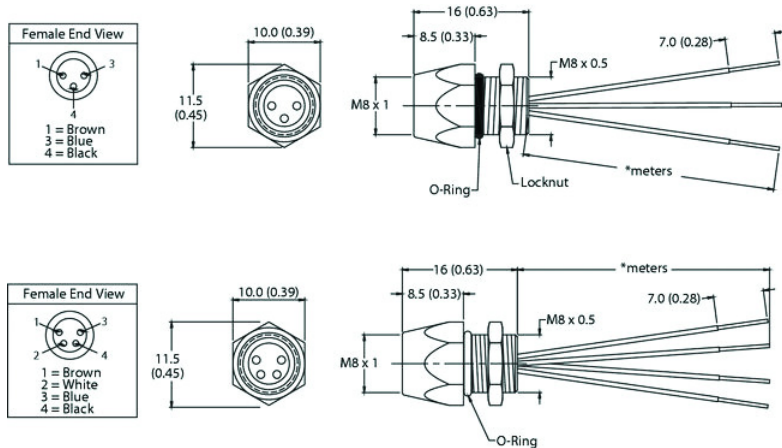
Product Selection

No. of Pins	Assembly Rating	Color Code ⁽¹⁾	Panel Mount Threads	Cat. No. ⁽²⁾	
				Female	Male
3-pin	125V AC/DC, 4.0 A	A	M8 x 0.5	888P-F3AB4-1	888P-M3AB4-1
4-pin				888P-F4AB4-1	888P-M4AB4-1

(1) See [Pinout and Color Code](#).

(2) The 1 at the end of the cat. no. is for 1 m (3.3 ft) cable length. Replace the 1 with 0M3 (0.3 m [1 ft]) for standard lengths.

Approximate Dimensions [mm (in.)]



Pinout and Color Code

Color Code	Face View Pinout			
	3-pin		4-pin	
	Female	Male	Female	Male
A	1 Brown 2 - 3 Blue 4 Black	1 Brown 2 - 3 Blue 4 Black	1 Brown 2 White 3 Blue 4 Black	1 Brown 2 White 3 Blue 4 Black

Terminal Chambers, Pico Style



3-pin Pico Female

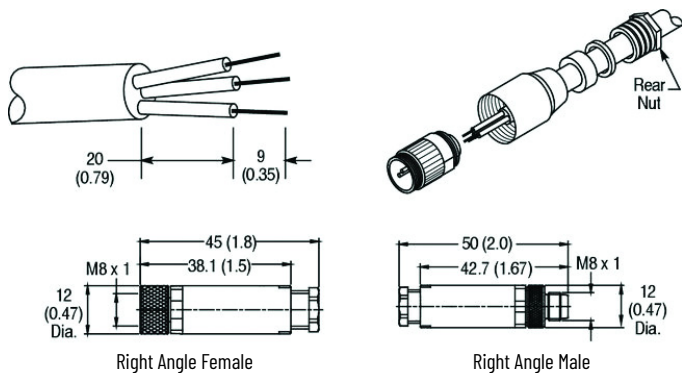
Specifications

Attribute	Value
Certifications	UL Recognized and CSA Certified
Mechanical	
Coupling nut material	Nickel-plated brass
Connector shell material	PBT
Contact material	Gold-plated palladium nickel
Cable type, max	20 AWG (0.5 mm ²)
Electrical	
Assembly rating	3- or 4-pin: 60V, 4 A
Environmental	
Enclosure type rating	IP67
Operating temperature	-40...+88 °C (-40...+185 °F)

Product Selection

No. of Pins	Cable Jacket Diameter [mm (in.)]	Assembly Rating	Rear Nut Thread Size	Cat. No.	
				Straight Female	Straight Male
3-pin	3.5...5.0 (0.14...0.20)	60V, 4 A	PG 7	871A-TS3-P	871A-TS3-PM
4-pin				871A-TS4-P	871A-TS4-PM

Approximate Dimensions



Pinout and Color Code

Color Code	Face View Pinout			
	3-pin		4-pin	
	Female	Male	Female	Male
A	 1 Brown 2 —	 3 Blue 4 Black	 1 Brown 2 White	 3 Blue 4 Black

Field Attachable, Pico Style Insulated Displacement Connector



Pico Style Male

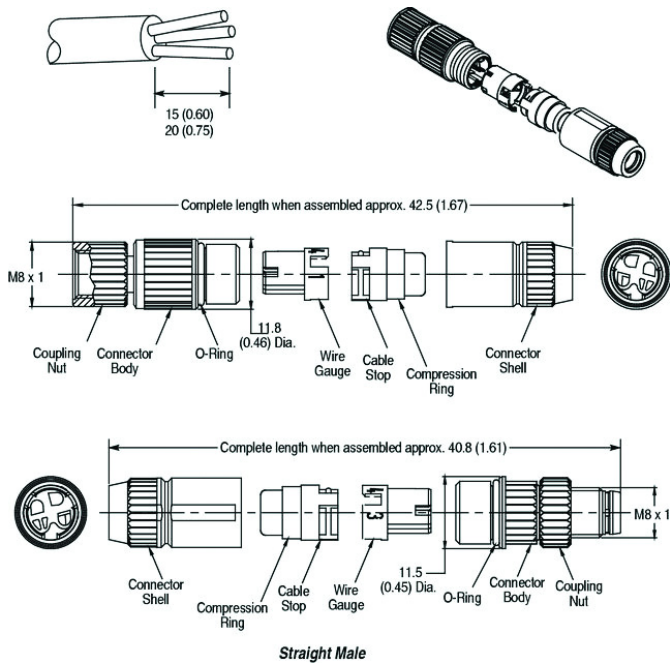
Specifications

Attribute	Value
Mechanical	
Coupling nut material	Nickel-plated brass
Connector shell material	Nickel-plated brass
Connector material	Hytrek Htr 8068
Field contact material	Gold-plated palladium nickel
IDC installations, max	10
Cable diameter	1.0...1.6 mm (0.04...0.063 in.)
Wire size	22...26 AWG (min individual strand size = 38 AWG)
Environmental	
Enclosure type rating	IP67; NEMA 6P
Operating temperature	-25...+85 °C (-13...+185 °F)
Installation temperature	-5...+50 °C (23...122 °F)

Product Selection

Connector Style	Cable Jacket Diameter [mm (in.)]	Assembly Rating	Cat. No.	
			Female	Male
Straight	4.0...5.1 (0.16...0.20)	22V 3 A	889P-F3DC-H	889P-M3DC-H
			889P-F4DC-H	889P-M4DC-H

Approximate Dimensions [mm (in.)]



Pinout and Color Code

Color Code	Face View Pinout			
	3-pin		4-pin	
	Female	Male	Female	Male
A	1 Brown 2 -	3 Blue 4 Black	1 Brown 2 White	3 Blue 4 Black

Cordsets and Patchcords, M23 QD Style, 18 AWG or 18/22 AWG, Black or Yellow PVC



12-pin M23 Cordset

Specifications

Attribute	Value
Certifications	UL Recognized and CSA Certified
Mechanical	
Coupling nut material	Nickel-plated brass
Connector material	Molded oil-resistant PUR
Contact material	Gold over nickel-plated brass
Cable type	<ul style="list-style-type: none"> 9- and 12-conductor cables: Oil-resistant PVC, yellow, PLTC, 300V, UL/CSA, 18 AWG 11-conductor cable: Oil-resistant PUR, black, ITC/PLTC, 300V, UL/CSA (3) 18 AWG, (8) 22 AWG 19-conductor cable: Oil-resistant PUR, black, ITC/PLTC, 300V, UL/CSA (3) 18 AWG, (16) 22 AWG
Bend radius	10x diameter
Electrical	
Cable rating	300V
Assembly rating	<ul style="list-style-type: none"> 9- and 12-pin: 6 A 11- and 19-conductor: 18 AWG-8 A, 22 AWG-2 A
Environmental	
Enclosure type rating	IP67, IP68
Temperature rating	-20...+105 °C (-4...+221 °F)

Product Selection

Cordsets

No. of Conductors	Cable Material	Color Code ⁽¹⁾	Connector Type	Cable Diameter [mm (in.)]	Cat. No. ⁽²⁾					
					Straight Female	Right Angle Female	Straight Male	Right Angle Male	Straight Male	Right Angle Male
					Internal Threads		With Internal Threads		With External Threads	
9	PVC	A	12-pin	10.1 (0.40)	889M-FX9AE-2	889M-RX9AE-2	889M-UX9AE-2	889M-VX9AE-2	889M-MX9AE-2	889M-EX9AE-2
11	PUR	B	12-pin	10.1 (0.40)	889M-F11RM-2	889M-R11RM-2	889M-U11RM-2	889M-V11RM-2	889M-M11RM-2	889M-E11RM-2
12	PVC	C	12-pin	10.8 (0.43)	889M-F12AH-2	889M-R12AH-2	889M-U12AH-2	889M-V12AH-2	889M-M12AH-2	889M-E12AH-2
19	PUR	A	19-pin	12.1 (0.48)	889M-F19RM-2	889M-R19RM-2	889M-U19RM-2	889M-V19RM-2	889M-M19RM-2	889M-E19RM-2

(1) See [Pinout and Color Code on page 117](#).

(2) The 2 at the end of the cat. no. is for 2 m cable length. Replace the 2 with 5 (5 m) or 10 (10 m) for standard cable lengths.

Patchcords with Internal Threads

No. of Conductors	Cable Material	Connector Type	Cable Diameter [mm (in.)]	Cat. No. ⁽¹⁾			
				Straight Female	Straight Male	Right Angle Female	Right Angle Male
				With Internal Threads			
9	PVC	12-pin	10.1 (0.40)	889M-FX9AEMU-2	889M-FX9AEMV-2	889M-RX9AEMV-2	889M-RX9AEMU-2
11	PUR	12-pin	10.1 (0.40)	889M-F11RMMU-2	889M-F11RMMV-2	889M-R11RMMV-2	889M-R11RMMU-2
12	PVC	12-pin	10.8 (0.43)	889M-F12AHMU-2	889M-F12AHMV-2	889M-R12AHMV-2	889M-R12AHMU-2
19	PUR	19-pin	12.1 (0.48)	889M-F19RMMU-2	889M-F19RMMV-2	889M-R19RMMV-2	889M-R19RMMU-2

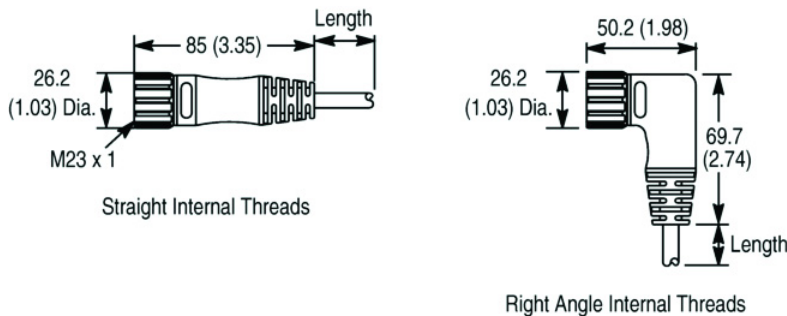
(1) The 2 at the end of the cat. no. is for 2 m (6.6 ft) cable length. For Cat. No. 889M-F12AHMU only, replace the 2 with 0M3 (0.3 m [1 ft]), 0M6 (0.6 m [2 ft]), 1 (1 m [3.3 ft]), or 3 (3 m [9.8 ft]) for standard cable lengths. For all other cat. nos., replace the 2 with 0M3 (0.3 m [1 ft]), 1 (1 m [3.3 ft]), 5 (5 m [16.4 ft]) or 10 (10 m [32.8 ft]) for standard cable lengths.

Patchcords with External Threads

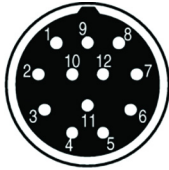
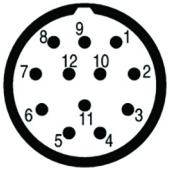
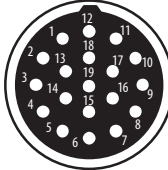
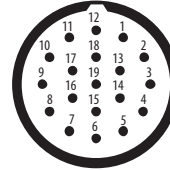
No. of Conductors	Cable Material	Connector Type	Cable Diameter [mm (in.)]	Cat. No. ⁽¹⁾			
				Straight Female	Straight Male	Right Angle Female	Right Angle Male
				With External Threads			
9	PVC	12-pin	10.1 (0.40)	889M-FX9AEMM-2	889M-FX9AEME-2	889M-RX9AEME-2	889M-RX9AEMM-2
11	PUR	12-pin	10.1 (0.40)	889M-F11RMMM-2	889M-F11RMME-2	889M-R11RMMM-2	889M-R11RMME-2
12	PVC	12-pin	10.8 (0.43)	889M-F12AHMM-2	889M-F12AHME-2	889M-R12AHMM-2	889M-R12AHME-2
19	PUR	19-pin	12.1 (0.48)	889M-F19RMMM-2	889M-F19RMME-2	889M-R19RMMM-2	889M-R19RMME-2

(1) The 2 at the end of the cat. no. is for 2 m (6.6 ft) cable length. For Cat. No. 889M-F12AHMU only, replace the 2 with 0M3 (0.3 m [1 ft]), 0M6 (0.6 m [2 ft]), 1 (1 m [3.3 ft]), or 3 (3 m [9.8 ft]) for standard cable lengths. For all other cat. nos., replace the 2 with 0M3 (0.3 m [1 ft]), 1 (1 m [3.3 ft]), 5 (5 m [16.4 ft]) or 10 (10 m [32.8 ft]) for standard cable lengths.

Approximate Dimensions [mm (in.)]



Pinout and Color Code

Color Code	Face View Pinout					
	12-pin		19-pin			
						
	Female	Male	Female	Male		
A	9-conductor					
	1 Brown 2 — 3 Blue 4 White	5 NA 6 Green 7 Yellow 8 Gray	9 Pink 10 Red 11 — 12 Green/Yellow	1 Violet 2 Red 3 Gray 4 Red/Blue 5 Green/Black ⁽¹⁾ 6 Blue ⁽¹⁾	7 Gray/Pink 8 White/Green 9 White/Yellow 10 White/Gray 11 Black 12 Green/Yellow	13 Yellow/Brown 14 Brown/Green 15 White 16 Yellow 17 Pink 18 Gray/Brown 19 Brown ⁽¹⁾
B	11-conductor (pins 9/10 jumpered)					
	1 White 2 Green 3 Yellow 4 Gray	5 Pink 6 Red 7 Black 8 Violet	9 Blue ⁽¹⁾ 10 Blue 11 Brown ⁽¹⁾ 12 Green/Yellow ⁽¹⁾			
C	12-conductor					
	1 Brown 2 Blue 3 Gray 4 Pink	5 Red 6 Yellow 7 White 8 Red/Blue	9 Black 10 Violet 11 Gray/Pink 12 Green/Yellow			

(1) 18 AWG

Receptacles, M23 Style, 18 AWG or 18/22 AWG, M20 Mounting Threads



12-pin Male M23 Receptacle

Specifications

Attribute	Value
Mechanical	
Receptacle shell material	Nickel-plated brass
Connector insert material	Nylon or PBT/gray
Contact material	Machined brass with gold over nickel plating
Cable type	Oil-resistant PVC, 18 AWG stranded copper, 300V, UL Recognized and CSA Certified
Electrical	
Assembly rating	<ul style="list-style-type: none"> 9-, 11-, 12-pin: 300V, 6 A 19-pin: 63V, 12 A
Environmental	
Enclosure type rating	IP67, NEMA 6P, 1200 psi (8270 kPa) washdown
Operating temperature	-20...+105 °C (-4...+221 °F)

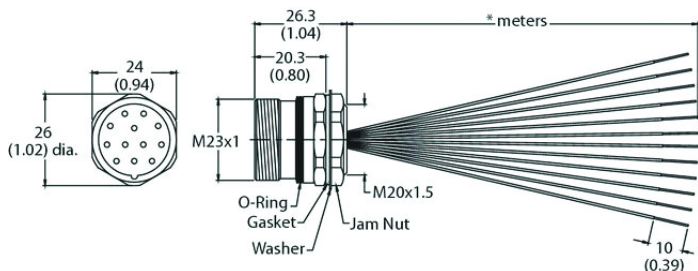
Product Selection

No. of Pins	Color Code ⁽¹⁾	Wire Size	Cat. No. ⁽²⁾	
			Female	Male
9-pin	A	18 AWG	888M-F12X9AE-1	888M-M12X9AE-1
11-pin	B	3/18 AWG and 8/22 AWG	888M-FT1AE-1	888M-M11AE-1
12-pin	C	18 AWG	888M-F12AE-1	888M-M12AE-1
19-pin	A	3/18 AWG and 16/22 AWG	888M-F19AE-1	888M-M19AE-1

(1) See [Pinout and Color Code](#).

(2) The 1 at the end of the cat. no. is for 1 ft (0.3 m) cable length. Replace the 1 with 0F5 for 0.5 ft (0.2 m) cable length.

Approximate Dimensions [mm (in.)]



Pinout and Color Code

Color Code	Face View Pinout					
	9-, 11-, or 12-pin			19-pin		
	Female		Male	Female	Male	
A	9-pin			1 Violet	7 Gray/Pink	13 Yellow/Brown
	1 Brown	5 NA	9 Pink	2 Red	8 White/Green	14 Brown/Green
	2 —	6 Green	10 Red	3 Gray	9 White/Yellow	15 White
	3 Blue	7 Yellow	11 —	4 Red/Blue	10 White/Gray	16 Yellow
	4 White	8 Gray	12 Green/Yellow	5 Green	11 Black	17 Pink
				6 Blue	12 Green/Yellow	18 Gray/Brown
						19 Brown
B	11-pin (pins 9/10 jumpered)			—		
	1 White	5 Pink	9 Blue ⁽¹⁾			
	2 Green	6 Red	10 Blue			
	3 Yellow	7 Black	11 Brown ⁽¹⁾			
	4 Gray	8 Violet	12 Green/Yellow			
C	12-pin			—		
	1 Brown	5 Red	9 Black			
	2 Blue	6 Yellow	10 Violet			
	3 Gray	7 White	11 Gray/Pink			
	4 Pink	8 Red/Blue	12 Green			

Field Attachable, M23 Style Solder Type



Field-Attachable M23 Connector

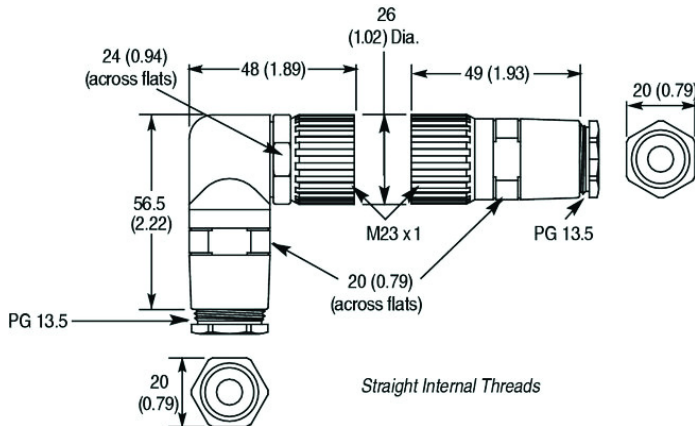
Specifications

Attribute	Value
Mechanical	
Coupling nut material	Nickel-plated brass
Connector shell material	Nickel-plated brass
Contact material	Gold-plated palladium/nickel
Cable diameter	10...14 mm (0.39...0.55 in.)
Electrical	
Assembly rating	63V, 12 A power, 3 A all others
Environmental	
Enclosure type rating	IP65
Operating temperature	-20...+105 °C (-4...+221 °F)

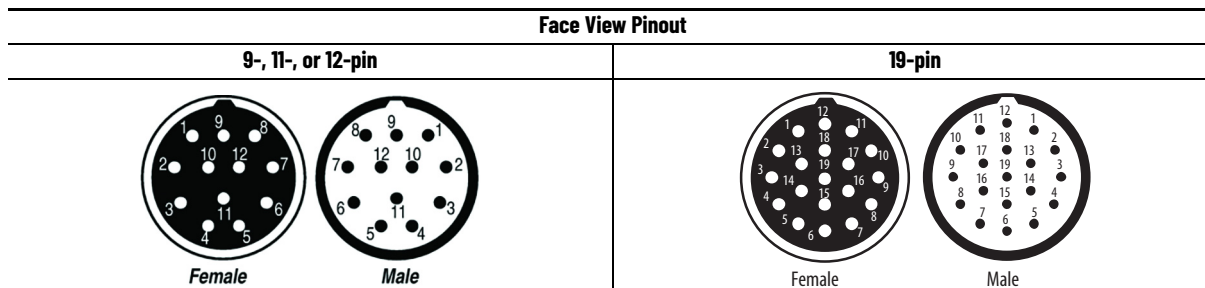
Product Selection

No. of Pins	Cable Jacket Diameter [mm (in.)]	Assembly Rating	Cat. No.			
			Straight Female	Right Angle Female	Straight Male	Right Angle Male
12-pin	10...14 (0.39...0.55)	63V, 12 A power, 3 A all others	889M-F12AH-T	889M-R12AH-T	889M-M12AH-T	889M-E12AH-T
19-pin			889M-F19AH-T	889M-R19AH-T	889M-M19AH-T	889M-E19AH-T
Spanner wrench (sold separately)						889A-M23SW

Approximate Dimensions [mm (in.)]



Pinout



DIN Valve A Style (18 mm)



Valve A Cordset

Specifications

Attribute	Value
Certifications	UL Recognized and CSA Certified
Mechanical	
Housing material	Molded oil-resistant PUR <ul style="list-style-type: none"> • Non-LED version: black • LED version: clear
Gasket material	Nitrile
Contact material	Tin-plated copper
Mounting screw	18-8 stainless steel
Cable type	Oil-resistant black PVC jacket, 18 AWG conductor, 300V, UL Recognized and CSA Certified
Homerun connection, min	10x diameter
Cable diameter [mm (in.)]	18 AWG <ul style="list-style-type: none"> • 3-conductor: 5.5 (0.216) • 4-conductor: 6 (0.235)
Electrical	
Cable rating	UL AWM style 2661 VW-1105C 300V, CSA AWM A/B I/II 80C 300V FTI; UV-, oil-, and water-resistant
Assembly rating	<ul style="list-style-type: none"> • Straight wired: 0..250V AC/DC, 10 A • LED and varistor surge suppression: 24V or 115V AC/DC, 10 A
Environmental	
Enclosure type rating	IP67, NEMA 6
Temperature rating	-25...+80 °C (-13...+176 °F)

Product Selection

Cordsets

Pinout	Color Code	Wiring	Voltage	Orientation	Cat. No.	
2-pole + dual ground	Brown, blue, green/yellow	Straight wired	0...250V AC/DC	-	889V-RZ2DBE-2	
					889V-RZ2DBE-5	
					889V-RZ2DBE-10	
					889V-LD2DBE-2	
		LED and varistor surge suppression	24V AC/DC		889V-LD2DBE-5	
					889V-LD2DBE-10	
					115V AC/DC	889V-LA2DBE-2
						889V-LA2DBE-5
3-pole + ground	Brown, blue, black, green/yellow	Straight wired	0...250V AC/DC	Ground toward cable exit	889V-RZ3GBE-2	
					889V-RZ3GBE-5	
					889V-RZ3GBE-10	
					889V-RZ3ABE-2	
				Ground away from cable exit	889V-RZ3ABE-5	
					889V-RZ3ABE-10	

IMPORTANT The 20 AWG PUR DIN valve cordsets can be ordered by replacing BE with RD, for example, 889V-LA2DRD-2.

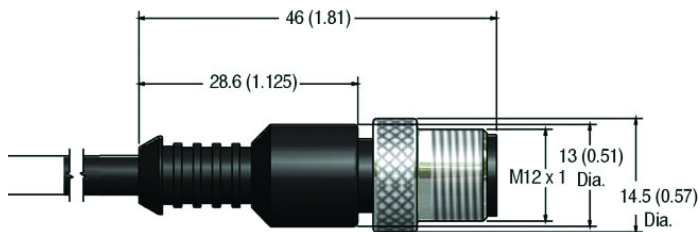
Patchcords

Pinout	Wire Size [AWG]	Jacket Material	Wire Type	Voltage	Orientation	Cat. No. ⁽¹⁾
2-pole + dual ground	20	PVC	Standard	0...120V	-	889V-RZ2DBDD-2
			LED and MOV	24V	-	889V-LD2DBDD-2
			LED and MOV	120V	-	889V-LA2DBDD-2
3-pole + ground			Standard	0...120V	-	889V-RZ3GBDD-2
			Standard	0...120V	-	889V-RZ3ABDD-2

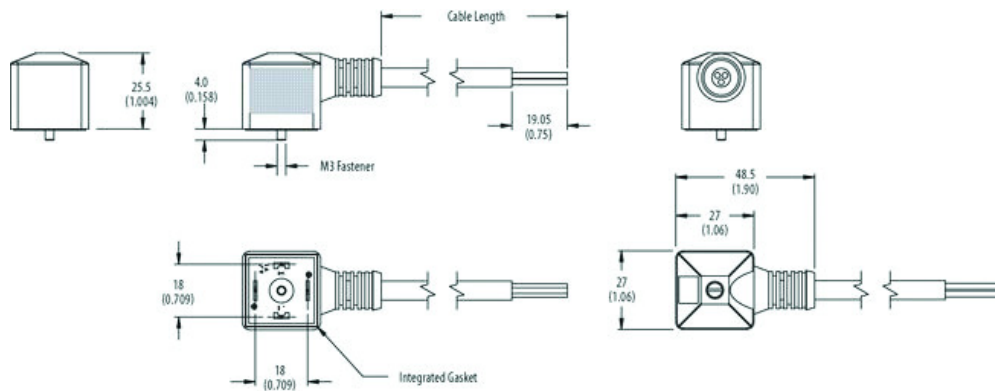
(1) The 2 at the end of the cat. no. is for 2 m (6.6 ft) cable length. Replace the 2 with 1 (1 m [3.3 ft]), 5 (5 m [16.4 ft]), or 10 (10 m [32.8 ft]) for standard lengths.

IMPORTANT The 20 AWG PUR DIN valve cordsets can be ordered by replacing BD with RD, for example, 889V-LA2DRD-2.

M12 Connector End of Patchcord



Approximate Dimensions [mm (in.)]



Pinout

Face View Pinout			
2-pin	3-pin		5-pin
Dual Ground	Ground Toward Cable Exit	Ground Away from Cable Exit	
1 Brown 2 Blue 3 Black GND Yellow and green			1 Brown 2 White 3 Blue 4 Black 5 Gray

DIN Valve B Style (11 mm)



Valve B Cordset

Specifications

Attribute	Value
Certifications	UL Recognized and CSA Certified
Mechanical	
Housing material	Molded oil-resistant PUR <ul style="list-style-type: none"> • Non-LED version: black • LED version: clear
Gasket material	Nitrile
Contact material	Tin-plated copper
Mounting screw	18-8 stainless steel
Cable type	Oil-resistant PVC jacket, 18 AWG conductor, 300V, UL Recognized and CSA Certified
Homerun connection, min	10x diameter
Cable diameter [mm (in.)]	18 AWG <ul style="list-style-type: none"> • 3-conductor: 5.5 (0.216) • 4-conductor: 6 (0.235)
Electrical	
Cable rating	UL AWM style 2661 VW-1105C 300V, CSA AWM A/B I/II 80C 300V FTI; UV-, oil-, and water-resistant
Assembly rating	<ul style="list-style-type: none"> • Straight wired: 0..250V AC/DC, 10 A • LED and varistor surge suppression: 24V or 115V AC/DC, 10 A
Environmental	
Enclosure type rating	IP67, NEMA 6
Temperature rating	-25...+80 °C (-13...+176 °C)

Product Selection

Pinout	Color Code	Cable Type	Wiring	Voltage	Orientation	Cat. No.
2-pole + ground	Brown, blue, green/yellow	18 AWG black PVC	Straight wired	0...250V AC/DC	Ground toward cable exit	889W-RZ2GBE-2
						889W-RZ2GBE-5
						889W-RZ2GBE-10
					Ground away from cable exit	889W-RZ2ABE-2
						889W-RZ2ABE-5
						889W-RZ2ABE-10
			LED and varistor surge suppression	24V AC/DC	Ground toward cable exit	889W-LD2GBE-2
						889W-LD2GBE-5
						889W-LD2GBE-10
				Ground away from cable exit	889W-LD2ABE-2	
					889W-LD2ABE-5	
					889W-LD2ABE-10	
115V AC/DC	Ground toward cable exit	889W-LA2GBE-2				
		889W-LA2GBE-5				
		889W-LA2GBE-10				
	Ground away from cable exit	889W-LA2ABE-2				
		889W-LA2ABE-5				
		889W-LA2ABE-10				

IMPORTANT The 20 AWG PUR DIN valve cordsets can be ordered by replacing BE with RD, for example, 889W-RZ2GRD-2.

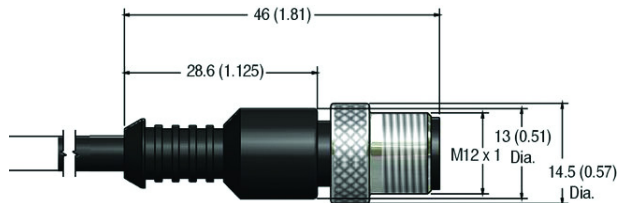
Patchcords

Pinout	Wire Size [AWG]	Jacket Material	Wire Type	Voltage	Orientation	Cat. No. ⁽¹⁾
2-pole + dual ground	20	PVC	Standard	0...120V	-	889W-RZ2GBDD-2
						889W-RZ2ABDD-2
			LED and MOV	24V		889W-LD2ABDD-2
				120V		889W-LA2ABDD-2

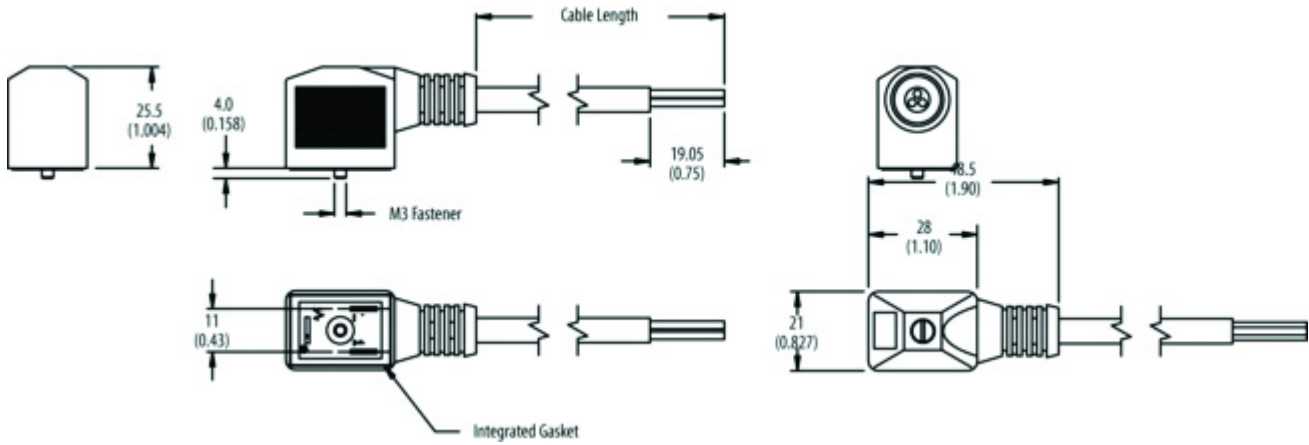
(1) The 2 at the end of the cat. no. is for 2 m (6.6 ft) cable length. Replace the 2 with 1 (1 m [3.3 ft]), 5 (5 m [16.4 ft]), or 10 (10 m [32.8 ft]) for standard lengths.

IMPORTANT The 20 AWG PUR DIN valve cordsets can be ordered by replacing BE with RD, for example, 889V-LA2DRD-2.

M12 Connector End of Patchcord



Approximate Dimensions [mm (in.)]



Pinout

Face View Pinout		
2-pin		5-pin
Ground Toward Cable Exit	Ground Away from Cable Exit	
		 Female Male
1 Brown 2 Blue GND Yellow and green		1 Brown 2 White 3 Blue 4 Black 5 Gray

DIN Valve C Style (9.4 mm)



Valve C Cordset

Specifications

Attribute	Value
Certifications	UL Recognized and CSA Certified
Mechanical	
Housing material	Molded oil-resistant PUR <ul style="list-style-type: none"> • Non-LED version: black • LED version: clear
Gasket material	Nitrile
Contact material	Tin-plated copper
Mounting screw	18-8 stainless steel
Cable type	Oil-resistant PVC jacket; 20 AWG conductor, 300V, UL Recognized and CSA Certified
Bend radius, min	10x diameter
Cable diameter [mm (in.)]	20 AWG, 4-conductor: 5.2 (0.205)
Electrical	
Cable rating	UL AWM style 2661 VW-1 105C 300V, CSA AWM A/B I/II 80C 300V FTI; UV-, oil-, and water-resistant
Assembly rating	<ul style="list-style-type: none"> • Straight wired: 0...250V AC/DC, 6 A • LED and varistor surge suppression: 24V or 115V AC/DC, 6 A
Environmental	
Enclosure type rating	IP67, NEMA 6
Temperature rating	-25...+80 °C (-13...+176 °F)

Product Selection

Cordsets

Pinout	Color Code	Cable Type	Wiring	Voltage	Cat. No.
2-pole + dual ground	Brown, blue, green/yellow	20 AWG black PVC	Straight wired	0...250V AC/DC	889Z-RZ2DBD-2
					889Z-RZ2DBD-5
					889Z-RZ2DBD-10
			LED and varistor surge suppression	24V AC/DC	889Z-LD2DBD-2
					889Z-LD2DBD-5
				889Z-LD2DBD-10	
				115V AC/DC	889Z-LA2DBD-2
					889Z-LA2DBD-5
889Z-LA2DBD-10					

IMPORTANT The 20 AWG PUR DIN valve cordsets can be ordered by replacing BD with RD, for example, 889Z-RZ2DRD-2.

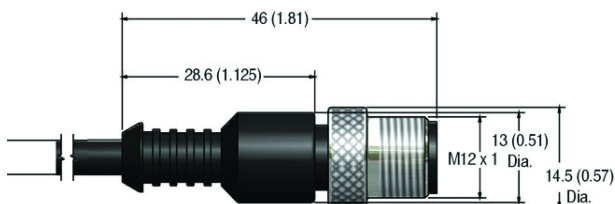
Patchcords

Pinout	Wire Size [AWG]	Jacket Material	Wire Type	Voltage	Orientation	Cat. No. ⁽¹⁾
2-pole + dual ground	20	PVC	Standard	0...120V	—	889Z-RZ2DBDD-2
			LED and MOV	24V		889Z-LD2DBDD-2

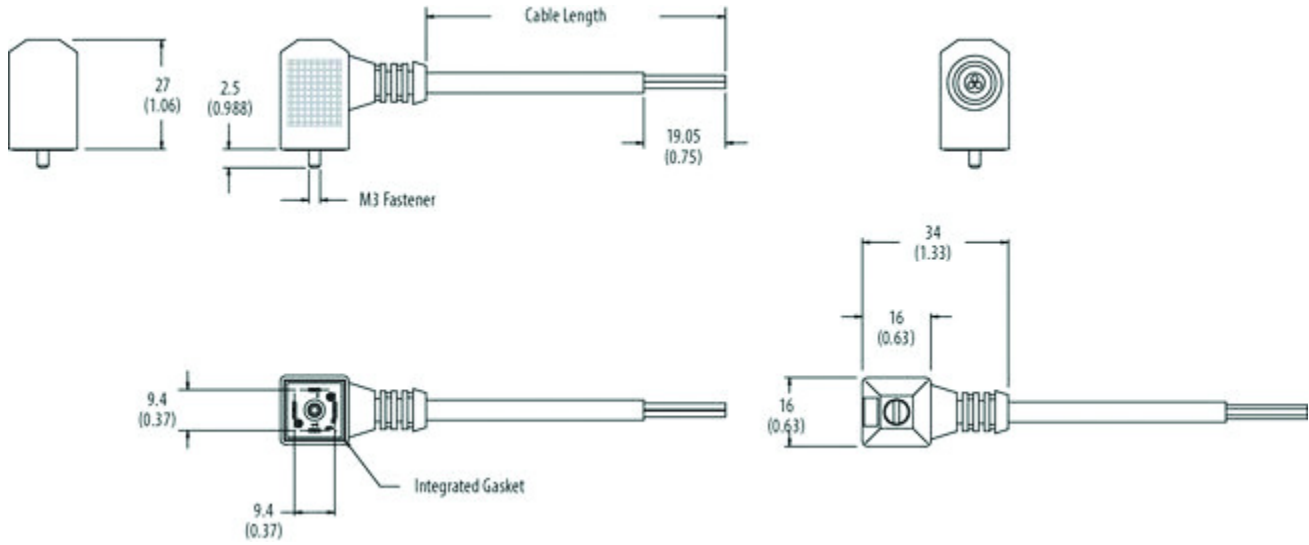
(1) The 2 at the end of the cat. no. is for 2 m (6.6 ft) cable length. Replace the 2 with 1 (1 m [3.3 ft]), 5 (5 m [16.4 ft]), or 10 (10 m [32.8 ft]) for standard lengths.

IMPORTANT The 20 AWG PUR DIN valve cordsets can be ordered by replacing BD with RD, for example, 889V-LA2DRD-2.

M12 Connector End of Patchcord



Approximate Dimensions [mm (in.)]



Pinout

Face View Pinout	
2-pin	5-pin
Dual Ground	
1 Brown 2 Blue GND Yellow and green	1 Brown 2 White 3 Blue 4 Black 5 Gray

Field Attachable, DIN Valve A (18 mm)



Valve A

Specifications

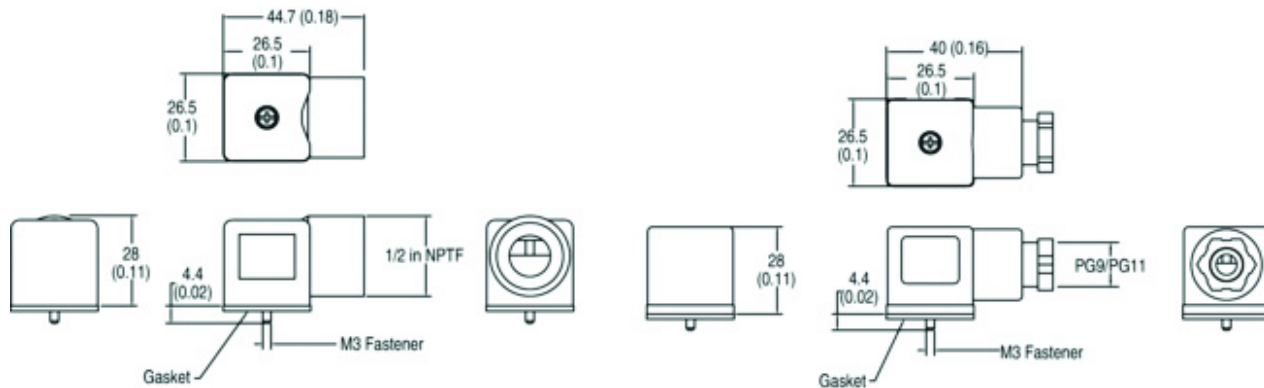
Attribute	Value
Mechanical	
Connector shell material	Polyamide Nylon 6
Gasket material	Nitrile
Mounting screw	Zinc-plated steel
No. of main contacts	2 + ground, 3 + ground
Cable type	Connector accepts 14 AWG, max
Electrical	
Assembly rating	<ul style="list-style-type: none"> • Straight wire: 0...250V, 10 A • LED and varistor surge suppression: 24V, 115V, or 230V, 10 A
Environmental	
Enclosure type rating	IP65; NEMA 4
Operating temperature	-25...+90 °C (-13...+194 °F)

Product Selection

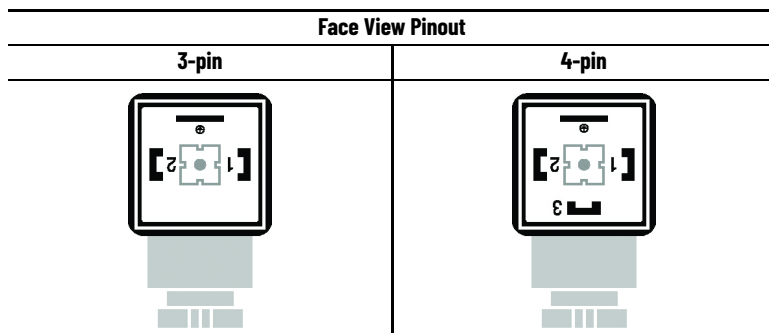
Pinout	Wiring	Assembly Rating	Thread Size	Accepts Outer Cable Diameter [mm (in.)]	Cat. No. (1)	
2-pole + ground	Straight wired	0...250V, 10 A	PG9	5.99...8.0 (0.236...0.315)	889V-RZ2GCF-T	
			PG11	8.0...9.9 (0.315...0.39)	889V-RZ2GFF-T	
			1/2 inch-NPTF	10.4 (0.41), max	889V-RZ2GNF-T	
	LED and varistor surge suppression	24V, 10 A	24V, 10 A	PG9	5.99...8.0 (0.236...0.315)	889V-LD2GCF-T
				PG11	8.0...9.9 (0.315...0.39)	889V-LD2GFF-T
				1/2 inch-NPTF	10.4 (0.41), max	889V-LD2GNF-T
		115V, 10 A	115V, 10 A	PG9	5.99...8.0 (0.236...0.315)	889V-LA2GCF-T
				PG11	8.0...9.9 (0.315...0.39)	889V-LA2GFF-T
				1/2 inch-NPTF	10.4 (0.41), max	889V-LA2GNF-T
		230V, 10 A	230V, 10 A	PG9	5.99...8.0 (0.236...0.315)	889V-LC2GCF-T
				PG11	8.0...9.9 (0.315...0.39)	889V-LC2GFF-T
				1/2 inch-NPTF	10.4 (0.41), max	889V-LC2GNF-T
3-pole + ground	Straight wired	0...250V, 10 A	PG9	5.99...8.0 (0.236...0.315)	889V-RZ3GCF-T	
			PG11	8.0...9.9 (0.315...0.39)	889V-RZ3GFF-T	
			1/2 inch-NPTF	10.4 (0.41), max	889V-RZ3GNF-T	

(1) Each catalog number is a single bag of five pieces.

Approximate Dimensions [mm (in.)]



Pinout



IMPORTANT The faceplate can be oriented in 90° increments.

Field Attachable, DIN Valve B (11 mm) and BEU (10 mm)



Valve B and BEU

Specifications

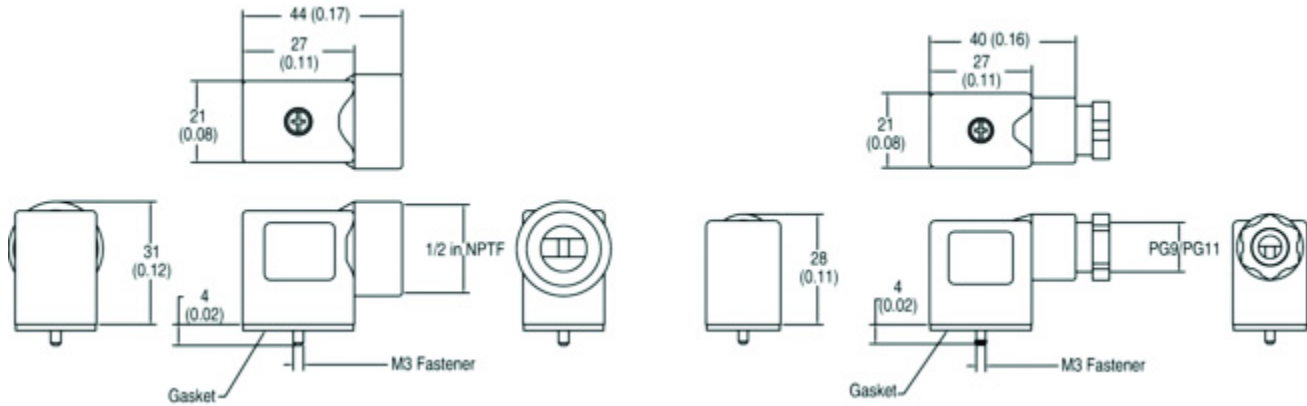
Attribute	Value
Mechanical	
Connector shell material	Polyamide Nylon 6
Gasket material	Nitrile
Mounting screw	Zinc-plated steel
No. of main contacts	2 + ground
Cable type	Connector accepts 14 AWG max
Electrical	
Assembly rating	<ul style="list-style-type: none"> • Straight wire: 0...250V, 10 A • LED and varistor surge suppression: 24V, 115V, or 230V, 10 A
Environmental	
Enclosure type rating	IP65; NEMA 4
Operating temperature	-25...+90 °C (-13...+194 °F)

Product Selection

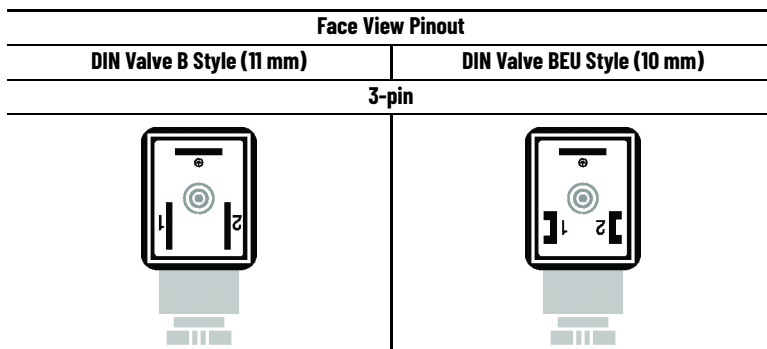
Pinout	Wiring	Assembly Rating	Thread Size	Accepts Outer Cable diameter [mm (in.)]	Cat. No. (1)	
2-pole + ground	Straight Wired	0...250V, 10 A	PG9	5.99...8.0 (0.236...0.315)	889V-RZ2GCF-T	
			PG11	8.0...9.9 (0.315...0.39)	889V-RZ2GFF-T	
			1/2 inch-NPTF	10.4 (0.41), max	889V-RZ2GNF-T	
	LED and Varistor Surge Suppression	24V, 10 A	24V, 10 A	PG9	5.99...8.0 (0.236...0.315)	889V-LD2GCF-T
				PG11	8.0...9.9 (0.315...0.39)	889V-LD2GFF-T
				1/2 inch-NPTF	10.4 (0.41), max	889V-LD2GNF-T
		115V, 10 A	115V, 10 A	PG9	5.99...8.0 (0.236...0.315)	889V-LA2GCF-T
				PG11	8.0...9.9 (0.315...0.39)	889V-LA2GFF-T
				1/2 inch-NPTF	10.4 (0.41), max	889V-LA2GNF-T
		230V, 10 A	230V, 10 A	PG9	5.99...8.0 (0.236...0.315)	889V-LC2GCF-T
				PG11	8.0...9.9 (0.315...0.39)	889V-LC2GFF-T
				1/2 inch-NPTF	10.4 (0.41), max	889V-LC2GNF-T
3-pole + ground	Straight Wired	0...250V, 10 A	PG9	5.99...8.0 (0.236...0.315)	889V-RZ3GCF-T	
			PG11	8.0...9.9 (0.315...0.39)	889V-RZ3GFF-T	
			1/2 inch-NPTF	10.4 (0.41), max	889V-RZ3GNF-T	

(1) Each catalog number is one bag of five pieces.

Approximate Dimensions [mm (in.)]



Pinout



IMPORTANT The faceplate can be oriented in 180° increments.

DIN Valve C (9.4 mm) and CEU (8 mm)



Valve C and CEU

Specifications

Attribute	Value
Connector shell material	Polyamide Nylon 6
Gasket material	Nitrile
Mounting screw	Zinc-plated steel
No. of main contacts	2 + ground, 3 + ground
Cable type	Connector accepts 20 AWG max
Electrical	
Assembly rating	<ul style="list-style-type: none"> Straight wire: 250V AC/300V DC, 6 A LED and varistor surge suppression: 24V, 115V, or 230V, 6 A
Environmental	
Enclosure type rating	IP65; NEMA 4
Operating temperature	-25...+90 °C (-13...+194 °F)

Product Selection

DIN Valve C Style (9.4 mm)

Pinout	Wiring	Assembly Rating	Thread Size	Accepts Outer Cable diameter [mm (in.)]	Cat. No. (1)
2-pole + ground	Straight wired	250V AC/300V DC	PG7	3.98...5.99 (0.157...0.236)	889Z-RZ2GDE-T
	LED and varistor surge suppression	24V			889Z-LD2GDE-T
		115V			889Z-LA2GDE-T
3-pole + ground	Straight wired	250V AC/300V DC			889Z-RZ3GDE-T

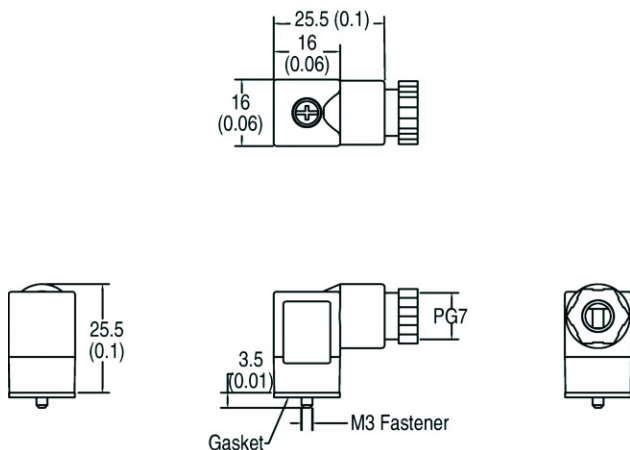
(1) Each catalog number is a single bag of five pieces.

DIN Valve CEU Style (8 mm)

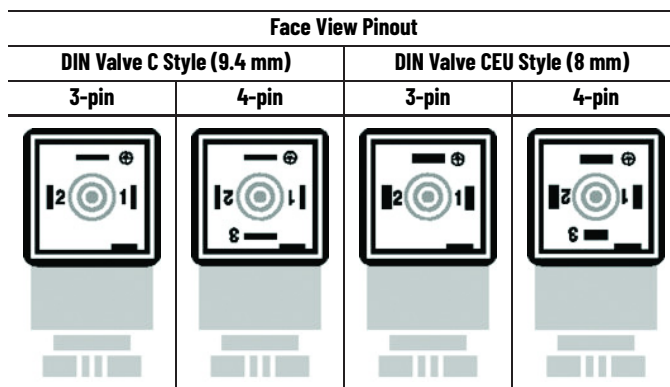
Pinout	Wiring	Assembly Rating	Thread Size	Accepts Outer Cable diameter [mm (in.)]	Cat. No. (1)
2-pole + ground	LED and varistor surge suppression	250V AC/300V DC	PG7	3.98...5.99 (0.157...0.236)	889S-RZ2GDE-T
		24V			889S-LD2GDE-T
		115V			889S-LA2GDE-T
		230V			889S-LC2GDE-T
3-pole + ground	Straight wired	250V AC/300V DC			889S-RZ3GDE-T

(1) Each catalog number is a single bag of five pieces.

Approximate Dimensions [mm (in.)]



Pinout



IMPORTANT The faceplate can be oriented in 90° increments.

Receptacles, Insulation Displacement Connectors (IDC)



4-pin IDC Receptacle

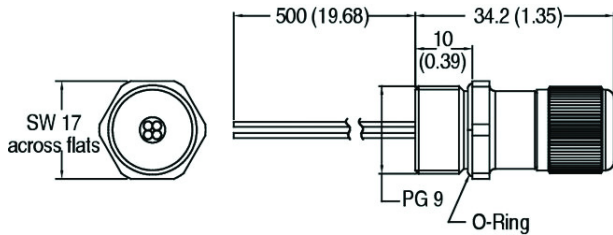
Specifications

Attribute	Value
Mechanical	
Receptacle shell material	Nickel-plated brass
Coupling nut material	Nickel-plated brass
Connector shell material	Nickel-plated brass
Connector insert material	Black PUR
Contact material	Gold over nickel-plated brass
IDC installations, max	10
Conductor OD [mm (in.)]	24...22 AWG, 1.6...2.0 (0.063...0.079)
Cable diameter	1.2...1.6 (0.047...0.063)
Wire insulation	Oil-resistant PVC, 22 AWG stranded copper, 300V, UL Recognized
Environmental	
Enclosure type rating	IP67, 1200 psi (8270 kPa) washdown
Operating temperature	-20...+85 °C (-4...+185 °F)

Product Selection

Description	Connector Body	Panel Mount Threads	Wire Color	Assembly Rating	Cat. No.
4-pin straight receptacle	Brass with nickel-plating	PG 9	1 Brown 2 White 3 Blue 4 Black	24...22 AWG 32V 4 A	888H-T4DC3-0M5

Approximate Dimensions [mm (in.)]



Cable Spools



22 AWG and 18 AWG, PVC

Specifications

Attribute	Value
Cable type	Oil-resistant PVC jacket, PVC insulated conductors, 300V
Cable rating	UL AWM style 2661 VW-1 105C 300V, CSA AWM A/B I/II 80C 300V FT1; UV-, oil-, and water-resistant
Operating temperature	-20...+105 °C (-4...+221 °F)

Product Selection

Jacket Material	No. of Conductors	Color Code	Jacket Color	Wire Size [AWG]	Nominal Outer Diameter	Shielding	Cat. No. (1)
PVC	2	Brown, blue	Yellow	22	5.3 mm (0.21 in.)	None	889-C2AC-S50
	3	Brown, blue, black	Yellow	22	5.3 mm (0.21 in.)	None	889-C3AC-S50
		Green, red with black stripe, red with white stripe	Yellow	22	6.7 mm (0.26 in.)	Braided	889-C3ECA-S50
	Yellow		18	6.7 mm (0.26 in.)	None	889-C3AEA-S50	
	4	Brown, white, blue, black	Yellow	22	5.3 mm (0.21 in.)	None	889-C4AC-S50
			Black	22	5.3 mm (0.21 in.)	None	889-C4BC-S50
			Blue	22	5.3 mm (0.21 in.)	None	889-C4LC-S50
			Yellow	22	6.7 mm (0.26 in.)	Braided	889-C4EC-S50
		Green, red with black stripe, red with white stripe, red	Yellow	18	6.7 mm (0.26 in.)	None	889-C4AE-S50
			Yellow	22	5.5 mm (0.22 in.)	Foil	889-C4FC-S50
			Yellow	22	6.7 mm (0.26 in.)	Braided	889-C4ECA-S50
			Yellow	18	6.7 mm (0.26 in.)	None	889-C4AEA-S50
	5	Brown, white, blue, black, gray	Yellow	22	6.0 mm (0.24 in.)	None	889-C5AC-S50
			Black	22	6.0 mm (0.24 in.)	None	889-C5BC-S50
			Yellow	22	6.7 mm (0.26 in.)	Braided	889-C5EC-S50
		Green, red with black stripe, red with white stripe, red, red with yellow stripe	Yellow	22	6.7 mm (0.26 in.)	None	889-C5ECA-S50
			Yellow	18	6.7 mm (0.26 in.)	None	889-C5AEA-S50
	6	Green, red with black, red with white, red, red with yellow, red with blue stripe	Yellow	22	6.7 mm (0.26 in.)	Braided	889-C6ECA-S50

(1) The 50 at the end of the catalog number is for 50 m (164 ft) cable length. Replace the 50 with 100 (100 m [328.1 ft]) or 200 (200 m [656.2 ft]) for other standard cable lengths.

Cable Spools



PUR 22 AWG and TPE 18 AWG

Specifications

Attribute	Value
Cable type	Oil-resistant jacket, PVC insulated conductors, 300V
Cable rating	<ul style="list-style-type: none"> PUR: UL AWM style 20866 VW-1 80C 300V, CSA AWM A/B I/II 80C 300V FT1; UV-, oil-, and water-resistant TPE: UL AWM style 20327 VW-1 105C 300V, CSA AWM A/B I/II 105C 300V FT1; UV-, oil-, and water-resistant
Operating temperature	<ul style="list-style-type: none"> PUR: -20...+80 °C (-4...+176 °F) TPE: -20...+105 °C (-4...+221 °F)

Product Selection

Jacket Material	No. of Conductors	Color Code	Jacket Color	Wire Size [AWG]	Nominal Outer Diameter	Shielding	Cat. No.
PUR	4	Brown, white, blue, black	Yellow	22	5.2 mm (0.21 in.)	None	889-C4UC-S50 ⁽¹⁾
	5	Brown, white, blue, black, gray		22	5.2 mm (0.21 in.)		889-C5UC-S50 ⁽¹⁾
TPE	4	Brown, white, blue, black		18	7.0 mm (0.28 in.)		889-C4HJ-S50 ⁽¹⁾
TPE ToughLink	4	Brown, white, blue, black		10	—	—	889-C4HKC-SC5 ⁽²⁾

(1) The 50 at the end of the catalog number is for 50 m (164 ft) cable length. Replace the 50 with 100 (100 m [328.1 ft]) or 200 (200 m [656.2 ft]) for other standard cable lengths.

(2) Available in 25 m (82 ft), 50 m (164 ft), and 75 m (246.1 ft) cable lengths.

Additional Resources

These documents contain additional information concerning related products from Rockwell Automation.

Resource	Description
EtherNet/IP Network Devices User Manual, ENET-UM006	Describes how to configure and use EtherNet/IP™ devices to communicate on the EtherNet/IP network.
Ethernet Reference Manual, ENET-RM002	Describes basic Ethernet concepts, infrastructure components, and infrastructure features.
System Security Design Guidelines Reference Manual, SECURE-RM001	Provides guidance on how to conduct security assessments, implement Rockwell Automation products in a secure system, harden the control system, manage user access, and dispose of equipment.
Industrial Components Preventive Maintenance, Enclosures, and Contact Ratings Specifications, publication IC-TD002	Provides a quick reference tool for Allen-Bradley industrial automation controls and assemblies.
Safety Guidelines for the Application, Installation, and Maintenance of Solid-State Control, publication SGI-1.1	Designed to harmonize with NEMA Standards Publication No. ICS 1.1-1987 and provides general guidelines for the application, installation, and maintenance of solid-state control in the form of individual devices or packaged assemblies incorporating solid-state components.
Industrial Automation Wiring and Grounding Guidelines, publication 1770-4.1	Provides general guidelines for installing a Rockwell Automation industrial system.
Product Certifications website, rok.auto/certifications .	Provides declarations of conformity, certificates, and other certification details.

You can view or download publications at rok.auto/literature.

Rockwell Automation Support

Use these resources to access support information.

Technical Support Center	Find help with how-to videos, FAQs, chat, user forums, and product notification updates.	rok.auto/support
Knowledgebase	Access Knowledgebase articles.	rok.auto/knowledgebase
Local Technical Support Phone Numbers	Locate the telephone number for your country.	rok.auto/phonesupport
Literature Library	Find installation instructions, manuals, brochures, and technical data publications.	rok.auto/literature
Product Compatibility and Download Center (PCDC)	Get help determining how products interact, check features and capabilities, and find associated firmware.	rok.auto/pcdc

Documentation Feedback

Your comments help us serve your documentation needs better. If you have any suggestions on how to improve our content, complete the form at rok.auto/docfeedback.





Allen-Bradley, expanding human possibility, Logix, Rockwell Automation, Rockwell Software, ToughLink, and ToughWeld are trademarks of Rockwell Automation, Inc.

EtherNet/IP is a trademark of ODVA, Inc.

Trademarks not belonging to Rockwell Automation are property of their respective companies.

Rockwell Automation maintains current product environmental information on its website at rok.auto/pec.

Rockwell Otomasyon Ticaret A.Ş. Kar Plaza İş Merkezi E Blok Kat:6 34752, İçerenköy, İstanbul, Tel: +90 (216) 5698400 EEE Yönetmeliğine Uygundur

Connect with us.    

rockwellautomation.com ————— expanding **human possibility**[®]

AMERICAS: Rockwell Automation, 1201 South Second Street, Milwaukee, WI 53204-2496 USA, Tel: (1) 414.382.2000, Fax: (1) 414.382.4444

EUROPE/MIDDLE EAST/AFRICA: Rockwell Automation NV, Pegasus Park, De Kleetlaan 12a, 1831 Diegem, Belgium, Tel: (32) 2 663 0600, Fax: (32) 2 663 0640

ASIA PACIFIC: Rockwell Automation, Level 14, Core F, Cyberport 3, 100 Cyberport Road, Hong Kong, Tel: (852) 2887 4788, Fax: (852) 2508 1846

Publication 889-TD002D-EN-P - September 2021

Supersedes Publication 889-TD002C-EN-P - April 2020

Copyright © 2021 Rockwell Automation, Inc. All rights reserved. Printed in the U.S.A.